



Chipsmall Limited consists of a professional team with an average of over 10 year of expertise in the distribution of electronic components. Based in Hongkong, we have already established firm and mutual-benefit business relationships with customers from,Europe,America and south Asia,supplying obsolete and hard-to-find components to meet their specific needs.

With the principle of “Quality Parts,Customers Priority,Honest Operation,and Considerate Service”,our business mainly focus on the distribution of electronic components. Line cards we deal with include Microchip,ALPS,ROHM,Xilinx,Pulse,ON,Everlight and Freescale. Main products comprise IC,Modules,Potentiometer,IC Socket,Relay,Connector.Our parts cover such applications as commercial,industrial, and automotives areas.

We are looking forward to setting up business relationship with you and hope to provide you with the best service and solution. Let us make a better world for our industry!



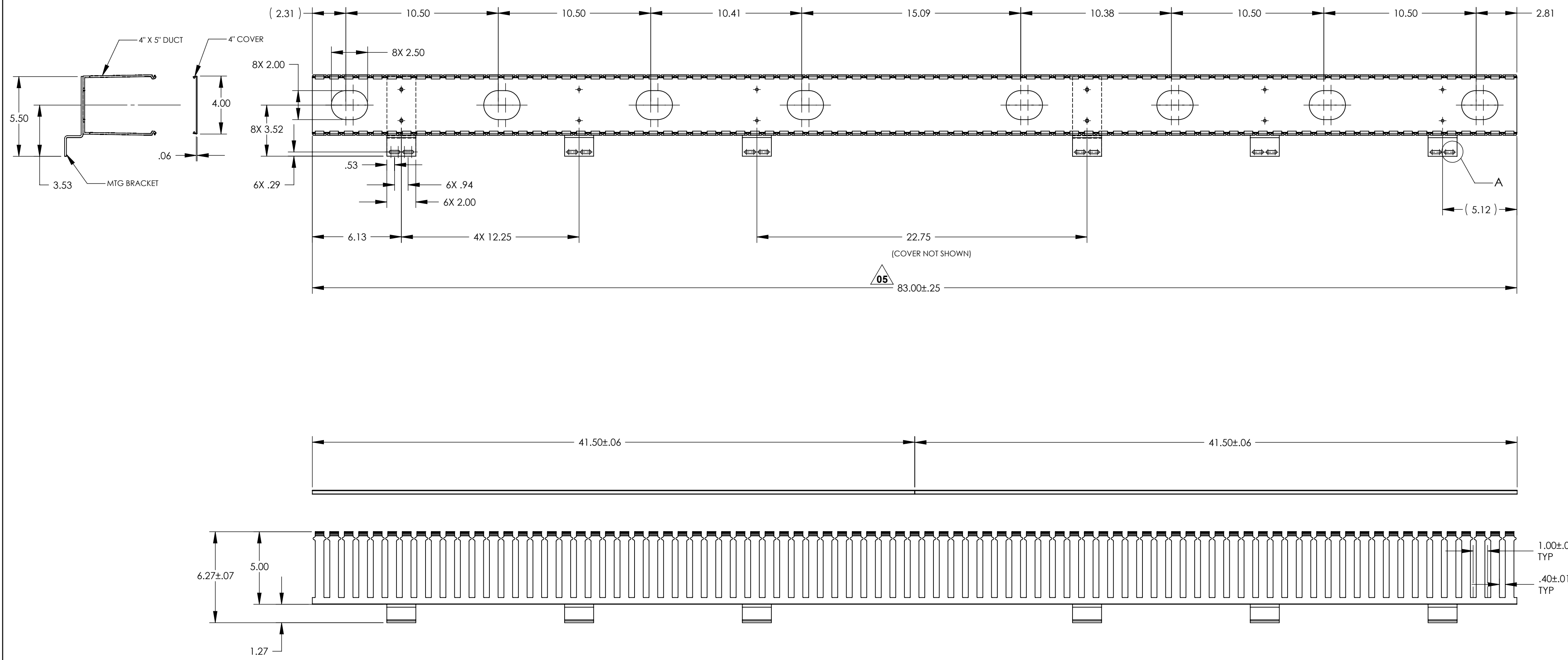
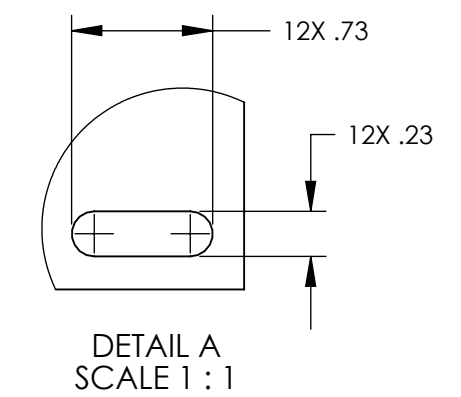
Contact us

Tel: +86-755-8981 8866 Fax: +86-755-8427 6832

Email & Skype: info@chipsmall.com Web: www.chipsmall.com

Address: A1208, Overseas Decoration Building, #122 Zhenhua RD., Futian, Shenzhen, China





HellermannTyton®

ALL PROPRIETARY RIGHTS IN THE SUBJECT MATTER SHOWN ON THIS DRAWING ARE EXCLUSIVE PROPERTY OF HELLERMANNTYTON

name	date	city, state

NOTES

1) HARDWARE FURNISHED IN FINAL PACKAGING
12 X #12-24 X 3/4" BLACK PAN HD COMBO MA SC

REVISION

level	05
by	AAC
date	03/11/14
ECN #	012602
part level	-

TOLERANCES

.XXXX = ±.0005
.XXX = ±.005
.XX = ±.01
.X = ±.03
∠ = ±0.5°
unless otherwise specified

units inches

PART

number	VWMSS4X5BK7	phase	Production
name VERTICAL SINGLE SIDED 4X5 SIDE MOUNT WIRE MANAGEMENT BRACKET 7 FEET			
material PVC DUCT & COVER ALUMINUM MTG BRACKET COLOR: BLACK			

DRAWING

format	C	CAD	SW 2007	scale	1:5
version	N				
computer file name	DT2012031CST_05			previous drawing number	
drawn	AAC	checked	KAC	approved	
date	08/02/2002		03/11/14		
type	Customer			sheet	1 of 1
number	DT2012031CST				