



Chipsmall Limited consists of a professional team with an average of over 10 year of expertise in the distribution of electronic components. Based in Hongkong, we have already established firm and mutual-benefit business relationships with customers from,Europe,America and south Asia,supplying obsolete and hard-to-find components to meet their specific needs.

With the principle of “Quality Parts,Customers Priority,Honest Operation,and Considerate Service”,our business mainly focus on the distribution of electronic components. Line cards we deal with include Microchip,ALPS,ROHM,Xilinx,Pulse,ON,Everlight and Freescale. Main products comprise IC,Modules,Potentiometer,IC Socket,Relay,Connector.Our parts cover such applications as commercial,industrial, and automotives areas.

We are looking forward to setting up business relationship with you and hope to provide you with the best service and solution. Let us make a better world for our industry!



Contact us

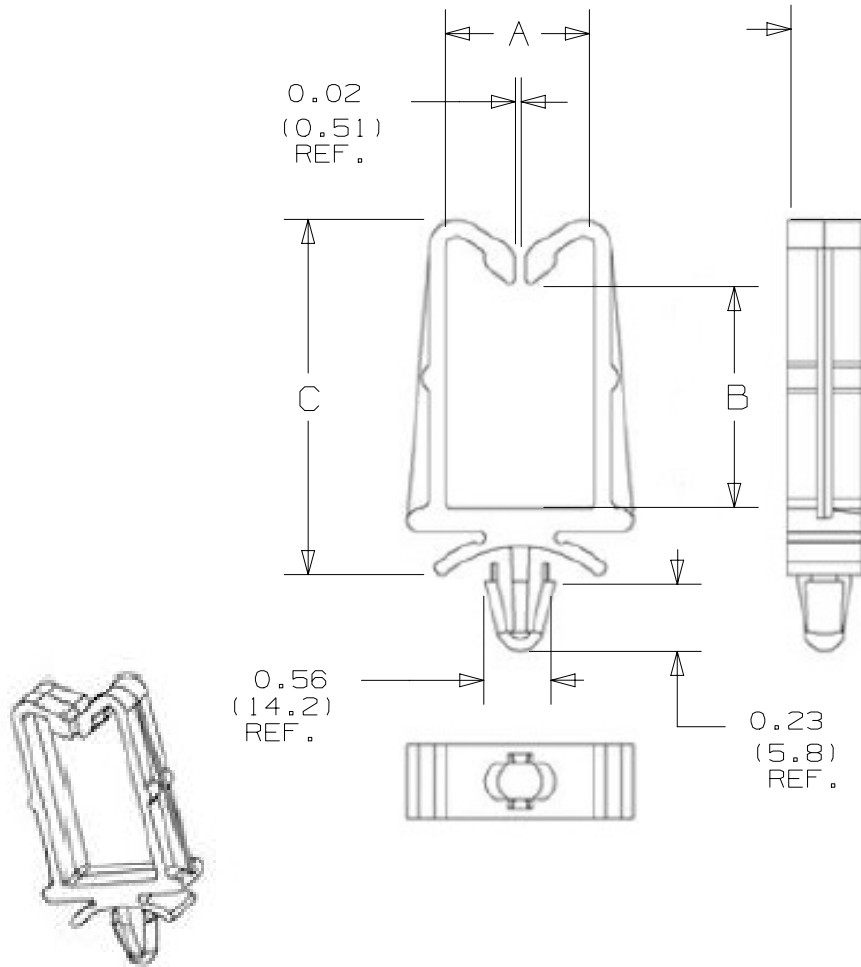
Tel: +86-755-8981 8866 Fax: +86-755-8427 6832

Email & Skype: info@chipsmall.com Web: www.chipsmall.com

Address: A1208, Overseas Decoration Building, #122 Zhenhua RD., Futian, Shenzhen, China



THIS COPY IS PROVIDED ON A RESTRICTED BASIS AND IS NOT TO BE USED IN ANY WAY DETRIMENTAL TO THE INTERESTS OF PANDUIT CORP.

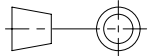


PANDUIT PART NUMBER	DIMENSION		
	A	B	C
VWS3750	0.375 (9.5)	0.500 (12.7)	0.900 (22.9)
VWS3775	0.375 (9.5)	0.750 (19.0)	1.172 (29.8)
VWS50100	0.500 (12.7)	1.000 (25.4)	1.425 (36.2)

NOTES:

- 1) HOLE SIZE 0.187/0.192 (4.7/4.9 mm)
- 2) PANEL THICKNESS 0.030/0.080 (0.8/2.0 mm)
- 3) MAX BUNDLE CAPACITY = A × B

REV	DATE	BY	CHK	APR	DESCRIPTION	ECN
02	6/02/15	BWG	MRJS	JADE	ADDED REF. DIMENSIONS AND METRIC DIMENSIONS.	10B233AB/02
01	5/20/15	BWG	MRJS	JADE	REVISED NOTE 2. SEE ECN FOR COMPLETE DETAILS.	10B233AB/01
00	4/15/15	BWG	MRJS	JADE	DRAWING RELEASED.	10B233AB/00

TITLE VERTICAL WIRE SADDLES - VWS3750, VWS3775 & VWS50100					
CUSTOMER DRAWING					
ITEM REVISION NAME 10B233AB/02			PANDUIT		
DATASET FILE NAME 10B233AB_DC/02					
UNLESS OTHERWISE SPECIFIED, DIMENSIONAL TOLERANCES ARE: IN [mm]			MATERIAL: NYLON 6.6		
.X ± .XX ± 			.XXX ± .031 ANGLES ± THIRD ANGLE PROJECTION		
DRAWN BY GILES	DATE 4/15/15	CHK	SCALE NONE	DRAWING NUMBER: 10B233AB_DC	
SHT 1 OF 1				SIZE A	