



Chipsmall Limited consists of a professional team with an average of over 10 year of expertise in the distribution of electronic components. Based in Hongkong, we have already established firm and mutual-benefit business relationships with customers from,Europe,America and south Asia,supplying obsolete and hard-to-find components to meet their specific needs.

With the principle of “Quality Parts,Customers Priority,Honest Operation,and Considerate Service”,our business mainly focus on the distribution of electronic components. Line cards we deal with include Microchip,ALPS,ROHM,Xilinx,Pulse,ON,Everlight and Freescale. Main products comprise IC,Modules,Potentiometer,IC Socket,Relay,Connector.Our parts cover such applications as commercial,industrial, and automotives areas.

We are looking forward to setting up business relationship with you and hope to provide you with the best service and solution. Let us make a better world for our industry!



Contact us

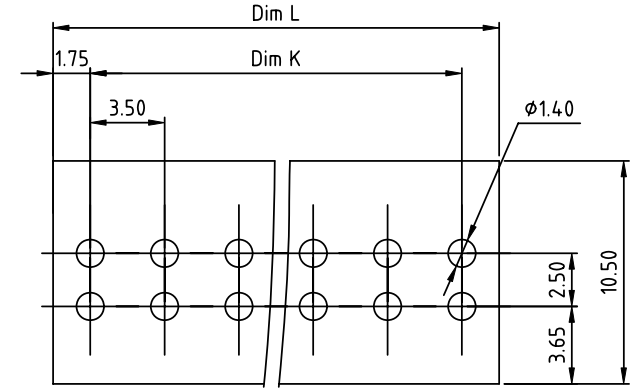
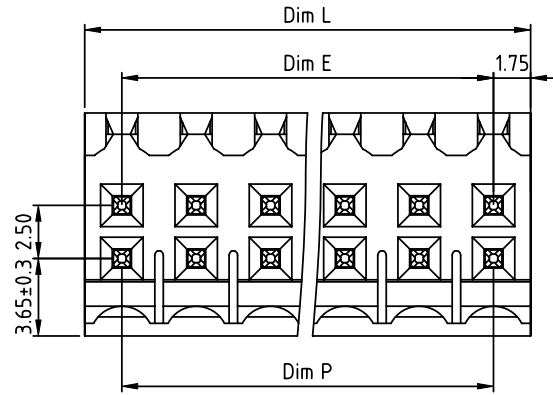
Tel: +86-755-8981 8866 Fax: +86-755-8427 6832

Email & Skype: info@chipsmall.com Web: www.chipsmall.com

Address: A1208, Overseas Decoration Building, #122 Zhenhua RD., Futian, Shenzhen, China



PRODUCT NUMBER	PITCH
VXxx10x000J0G	3.50 mm



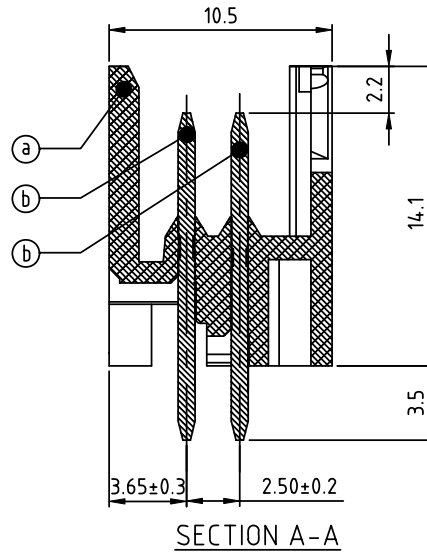
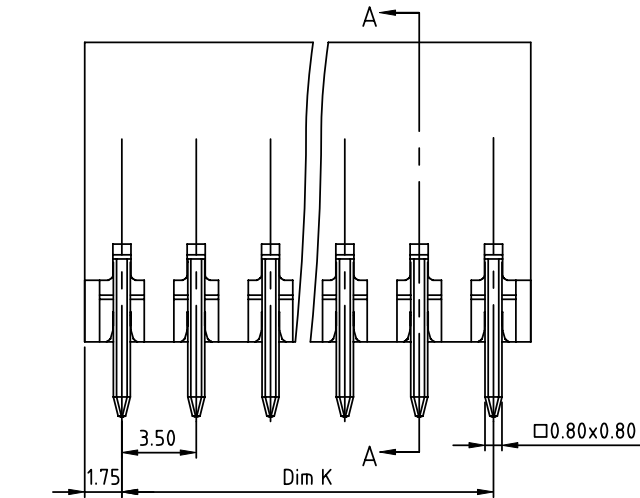
RECOMMENDED P.C.B LAYOUT
TOP VIEW

Material:

- Item (a) Terminal housing: Thermoplastic (UL94V-0)
- Item (b) Pin: Brass, Tin plated

Electrical:

- Voltage rating: 150V
- Current rating: 7A
- Withstanding Voltage: 1.3KV
- Operating temperature: -40°C to +115°C
- Soldering temperature: 260°C±5°C/5 Sec
- Safety Approval:



SECTION A-A

PART NO.: VX xx 10 x 0 00J0 G

Dim L=N/2×3.5
Dim P=(N/2-1)×3.5
Dim K=(N/2-1)×3.5
Dim E=(N/2-1)×3.5

N=Number of poles

Poles	Dim L	Dim P	Dim K	Dim E
2x2p-2x6p	±0.15	±0.10	±0.10	±0.10
2x7p-2x12p	±0.25	±0.20	±0.20	±0.20
2x13p-2x18p	±0.35	±0.30	±0.30	±0.30
2x19p-2x24p	±0.40	±0.35	±0.35	±0.35

	Color	RoHS compliant
Solid block	0 Black (RAL9005)	RoHS compliant (lead<4%) In copper Alloy
No. of poles	2 Red (RAL3001/D)	
04 2x2 poles	3 Orange(RAL2011/P)	
06 2x3 poles	4 Yellow(RAL1018/A)	
...	5 Green(RAL6018/T)	
48 2x24 poles	6 Blue (RAL5015/A)	
	8 Grey(RAL7035/D)	
	9 White(RAL1102)	
	C Green(RAL6018/U)	

mat'l. code	surface ASME Y14.5	tolerance ASME Y14.5	projection	product family
ltr	ecn	no	dr	date
tolerances unless otherwise specified				TERMINAL BLOCK
angles	φ	X.±0.5	MM	title
±1°	±	X.X±0.3	scale	TERMINAL BLOCK
		X.XX±0.1		PLUGGABLE SOCKET, VERTICAL, OPEN TYPE
dr	EVIN ZHONG	050714		dwg no
enr	EVIN ZHONG	050714		sheet 1 of 1
chr	HANKE FENG	050714		size
appd	SHI JUN	050714		A4
sheet index	revision sheet	A		type
	1			CUSTOMER Drawing