



Chipsmall Limited consists of a professional team with an average of over 10 year of expertise in the distribution of electronic components. Based in Hongkong, we have already established firm and mutual-benefit business relationships with customers from,Europe,America and south Asia,supplying obsolete and hard-to-find components to meet their specific needs.

With the principle of “Quality Parts,Customers Priority,Honest Operation,and Considerate Service”,our business mainly focus on the distribution of electronic components. Line cards we deal with include Microchip,ALPS,ROHM,Xilinx,Pulse,ON,Everlight and Freescale. Main products comprise IC,Modules,Potentiometer,IC Socket,Relay,Connector.Our parts cover such applications as commercial,industrial, and automotives areas.

We are looking forward to setting up business relationship with you and hope to provide you with the best service and solution. Let us make a better world for our industry!



Contact us

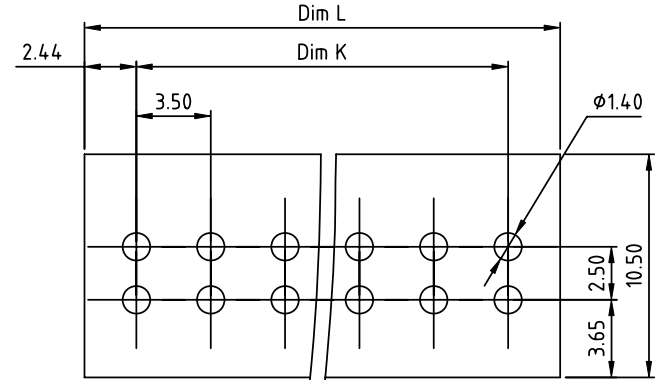
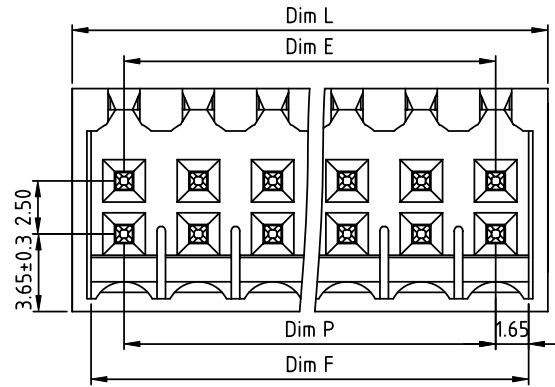
Tel: +86-755-8981 8866 Fax: +86-755-8427 6832

Email & Skype: info@chipsmall.com Web: www.chipsmall.com

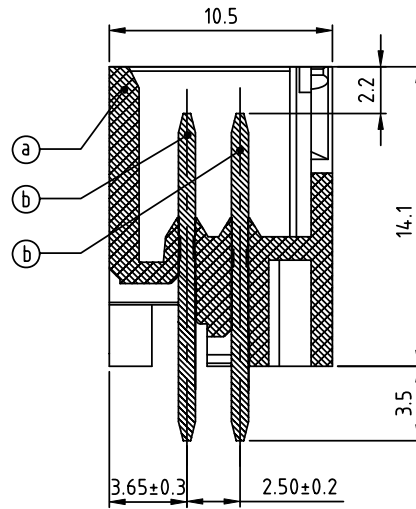
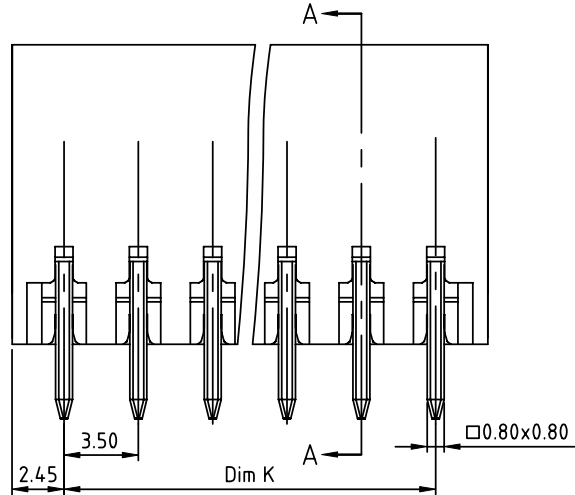
Address: A1208, Overseas Decoration Building, #122 Zhenhua RD., Futian, Shenzhen, China



PRODUCT NUMBER	PITCH
VXxx11x000J0G	3.50 mm



RECOMMENDED P.C.B LAYOUT
TOP VIEW



SECTION A-A

Material:

- Item (a) Terminal housing: Thermoplastic (UL94V-0)
- Item (b) Pin: Brass, Tin plated

Electrical:

- Voltage rating: 150V
- Current rating: 7A
- Withstanding Voltage: 1.3KV
- Operating temperature: -40°C to +115°C
- Soldering temperature: 260°C±5°C/5 Sec
- Safety Approval:

Dim L=(N/2-1)×3.5+4.9
Dim P=(N/2-1)×3.5
Dim K=(N/2-1)×3.5
Dim E=(N/2-1)×3.5
Dim F=(N/2-1)×3.5+3.3

N=Number of poles

Poles	Dim L	Dim P	Dim K	Dim E	Dim F
2x2p-2x6p	±0.15	±0.10	±0.10	±0.10	±0.15
2x7p-2x12p	±0.25	±0.20	±0.20	±0.20	±0.25
2x13p-2x18p	±0.35	±0.30	±0.30	±0.30	±0.35
2x19p-2x24p	±0.40	±0.35	±0.35	±0.35	±0.40

PART NO.: VX xx 11 x 0 00J0 G

Solid block	0	Black (RAL9005)	RoHS compliant (lead<4%) In copper Alloy
No. of poles	2	Red (RAL3001/D)	
04 2x2 poles	3	Orange(RAL2011/P)	
06 2x3 poles	4	Yellow(RAL1018/A)	
...	...	5 Green(RAL6018/T)	
48 2x24 poles	6	Blue (RAL5015/A)	
	8	Grey(RAL7035/D)	
	9	White(RAL1102)	
	C	Green(RAL6018/U)	

mat'l. code		surface ASME Y14.5	tolerance ASME Y14.5	projection 	product family TERMINAL BLOCK
ltr	ecn no	dr	date	tolerances unless otherwise specified	title TERMINAL BLOCK
				angles $X \pm 0.5$	PLUGGABLE SOCKET, VERTICAL, CLOSE TYPE
				$X.X \pm 0.3$	
				$X^{\circ} \pm 1^{\circ}$	scale MM
				dr	EVIN ZHONG 050714
				enr	EVIN ZHONG 050714
				chr	HANKE FENG 050714
				appd	SHI JUN 050714
sheet index	revision	A			dwg no VXxx11x000J0G
	sheet	1			sheet 1 of 1
					size A4
					type CUSTOMER Drawing