



Chipsmall Limited consists of a professional team with an average of over 10 year of expertise in the distribution of electronic components. Based in Hongkong, we have already established firm and mutual-benefit business relationships with customers from,Europe,America and south Asia,supplying obsolete and hard-to-find components to meet their specific needs.

With the principle of "Quality Parts,Customers Priority,Honest Operation,and Considerate Service",our business mainly focus on the distribution of electronic components. Line cards we deal with include Microchip,ALPS,ROHM,Xilinx,Pulse,ON,Everlight and Freescale. Main products comprise IC,Modules,Potentiometer,IC Socket,Relay,Connector.Our parts cover such applications as commercial,industrial, and automotives areas.

We are looking forward to setting up business relationship with you and hope to provide you with the best service and solution. Let us make a better world for our industry!



Contact us

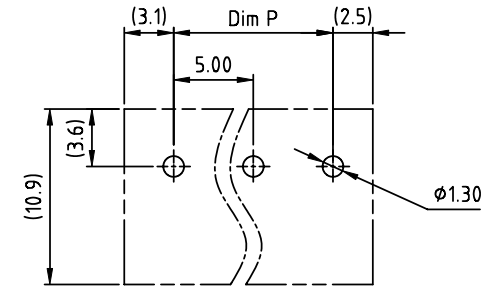
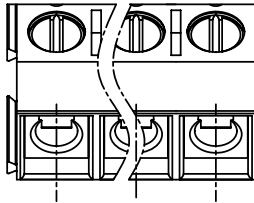
Tel: +86-755-8981 8866 Fax: +86-755-8427 6832

Email & Skype: info@chipsmall.com Web: www.chipsmall.com

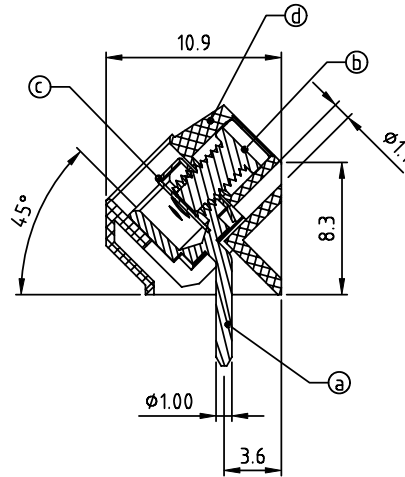
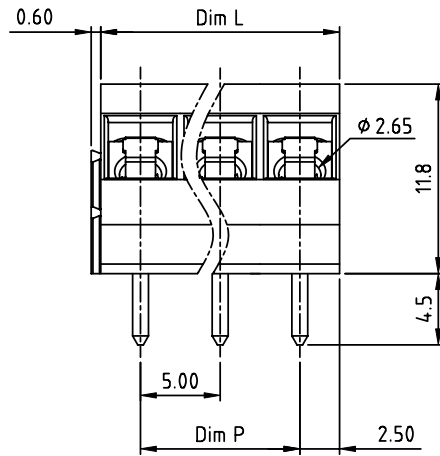
Address: A1208, Overseas Decoration Building, #122 Zhenhua RD., Futian, Shenzhen, China



PRODUCT NUMBER	PITCH
VYxx01xC00J0G	5.00 mm



RECOMMENDED P.C.B LAYOUT
TOP VIEW



Material:

- Item (a) Terminal body(metal housing): Brass, Tin plated
- Item (b) Terminal screw: Steel Zinc plating "-" slot type
- Item (c) Wire guard: Stainless steel
- Item (d) Insulator (housing): High temp. polyamide (UL94V-0)

Electrical cULus

- Voltage rating: 300VAC
- Current rating: 15A
- Wire range:
- Solid wire(AWG): 14-22
- Stranded wire(AWG): 14-22
- Torque(Lb-In): 3.5
- Screw: M2.6
- Wire strip length: 6-7mm
- Withstanding Voltage: 1.6KV
- Reflow Operating temperature: -40°C to +115°C
- Soldering temperature: 260°C/10Sec max

N=Number of poles
Dim L=Nx5.0
Dim P=(N-1)x5.0

Poles	Dim L	Dim P
2-6p	±0.15	±0.10
7-12p	±0.20	±0.20
13-18p	±0.30	±0.25
19-24p	±0.40	±0.30

PART NO.: VY xx 01 x C 00J0 G

End stackable
No. of poles
02 2 poles
03 3 poles
... ..
24 24 poles

Body Color
0 Black (RAL9005)

RoHS compliant
(lead-4%)
In copper Alloy

mat'l. code		surface ASME Y14.5	tolerance ASME Y14.5	projection	product family TERMINAL BLOCK
ltr	ecn no	dr	date	tolerances unless otherwise specified	title TERMINAL BLOCK
				angles X±1°	
				scale	WIRE PROTECTOR, 45D WIRE INLET, THR
		dr	EVIN ZHONG	040114	dwg no
		enr	EVIN ZHONG	040114	sheet 1 of 1
		chr	HANKE FENG	040114	size
		appd	SHI JUN	040114	VYxx01xC00J0G
					A4
					type
					CUSTOMER Drawing
sheet index	revision	A			
	sheet	1			