



Chipsmall Limited consists of a professional team with an average of over 10 year of expertise in the distribution of electronic components. Based in Hongkong, we have already established firm and mutual-benefit business relationships with customers from,Europe,America and south Asia,supplying obsolete and hard-to-find components to meet their specific needs.

With the principle of “Quality Parts,Customers Priority,Honest Operation,and Considerate Service”,our business mainly focus on the distribution of electronic components. Line cards we deal with include Microchip,ALPS,ROHM,Xilinx,Pulse,ON,Everlight and Freescale. Main products comprise IC,Modules,Potentiometer,IC Socket,Relay,Connector.Our parts cover such applications as commercial,industrial, and automotives areas.

We are looking forward to setting up business relationship with you and hope to provide you with the best service and solution. Let us make a better world for our industry!



## Contact us

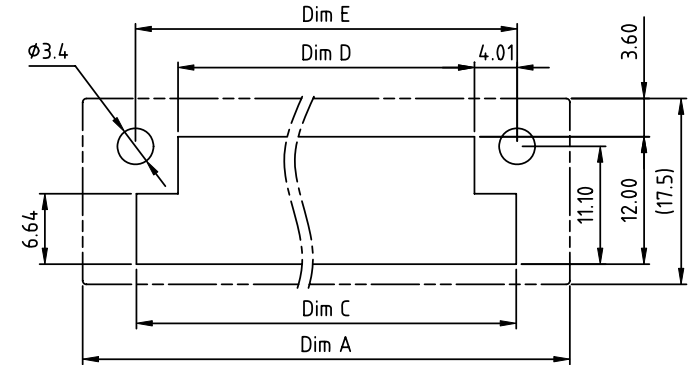
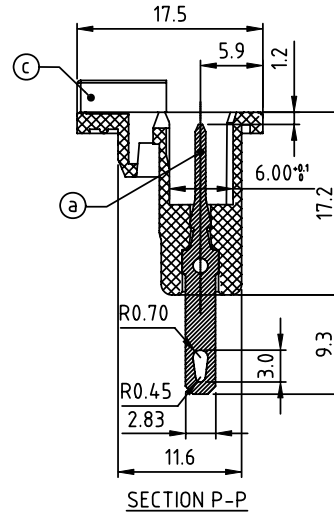
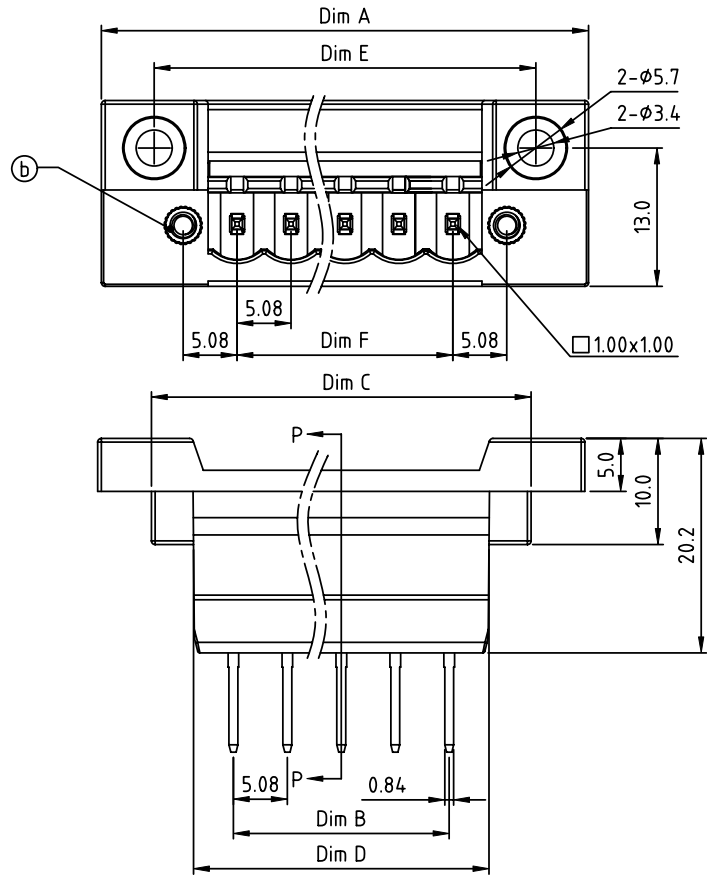
Tel: +86-755-8981 8866 Fax: +86-755-8427 6832

Email & Skype: info@chipsmall.com Web: www.chipsmall.com

Address: A1208, Overseas Decoration Building, #122 Zhenhua RD., Futian, Shenzhen, China



PRODUCT NUMBER	PITCH
VZxx50x000J0G	5.08 mm



RECOMMENDED P.C.B CUTOUT  
TOP VIEW

Material:

- Item① Solder Pin: Brass with Tin plated.
- Item② Flange nut: brass M2.5
- Item③ Terminal (housing): Thermoplastic(UL94V-0)

Electrical cULus

- Voltage rating: 300VAC
- Current rating: 12A
- Withstanding Voltage: 1.6kv
- Operating temperature: -40°C to +115°C
- Soldering temperature: 260°C±5°C/5 Sec
- Safety Approval:

DIMENSION

Dim A	Nx5.08+20.5
Dim B	(N-1)x5.08
Dim C	Nx5.08+10.3
Dim D	Nx5.08+2.5
Dim E	Nx5.08+10.52
Dim F	(N-1)x5.08

N=Number of poles

Poles	Tolerance
2-5P	±0.15
6-10P	±0.20
11-15P	±0.30
16-24P	±0.40

PART NO.: VZ xx 50 x 0 00J0 G

	Color	RoHS compliant
Solid block	0 Black (RAL9005)	(lead<4%)
No. of poles	2 Red (RAL3001/D)	In copper Alloy
02 2 poles	3 Orange(RAL2011/P)	
03 3 poles	4 Yellow(RAL1018/A)	
... ..	5 Green(RAL6018/T)	
24 24 poles	6 Blue (RAL5015/A)	
	8 Grey(RAL7035/D)	
	9 White(RAL1102)	
	C Green(RAL6018/U)	

mat'l. code	surface ASME Y14.5	tolerance ASME Y14.5	projection	product family
ltr	ecn no	dr	date	TERMINAL BLOCK
				title
				TERMINAL BLOCK
				PLUGGABLE SOCKET, FEED-THROUGH HEADER
				dwg no
				sheet 1 of 1
				size
				VZxx50x000J0G
				A4
				type
				CUSTOMER Drawing
sheet index	revision	B		
	sheet	1		