



Chipsmall Limited consists of a professional team with an average of over 10 year of expertise in the distribution of electronic components. Based in Hongkong, we have already established firm and mutual-benefit business relationships with customers from,Europe,America and south Asia,supplying obsolete and hard-to-find components to meet their specific needs.

With the principle of "Quality Parts,Customers Priority,Honest Operation,and Considerate Service",our business mainly focus on the distribution of electronic components. Line cards we deal with include Microchip,ALPS,ROHM,Xilinx,Pulse,ON,Everlight and Freescale. Main products comprise IC,Modules,Potentiometer,IC Socket,Relay,Connector.Our parts cover such applications as commercial,industrial, and automotives areas.

We are looking forward to setting up business relationship with you and hope to provide you with the best service and solution. Let us make a better world for our industry!



Contact us

Tel: +86-755-8981 8866 Fax: +86-755-8427 6832

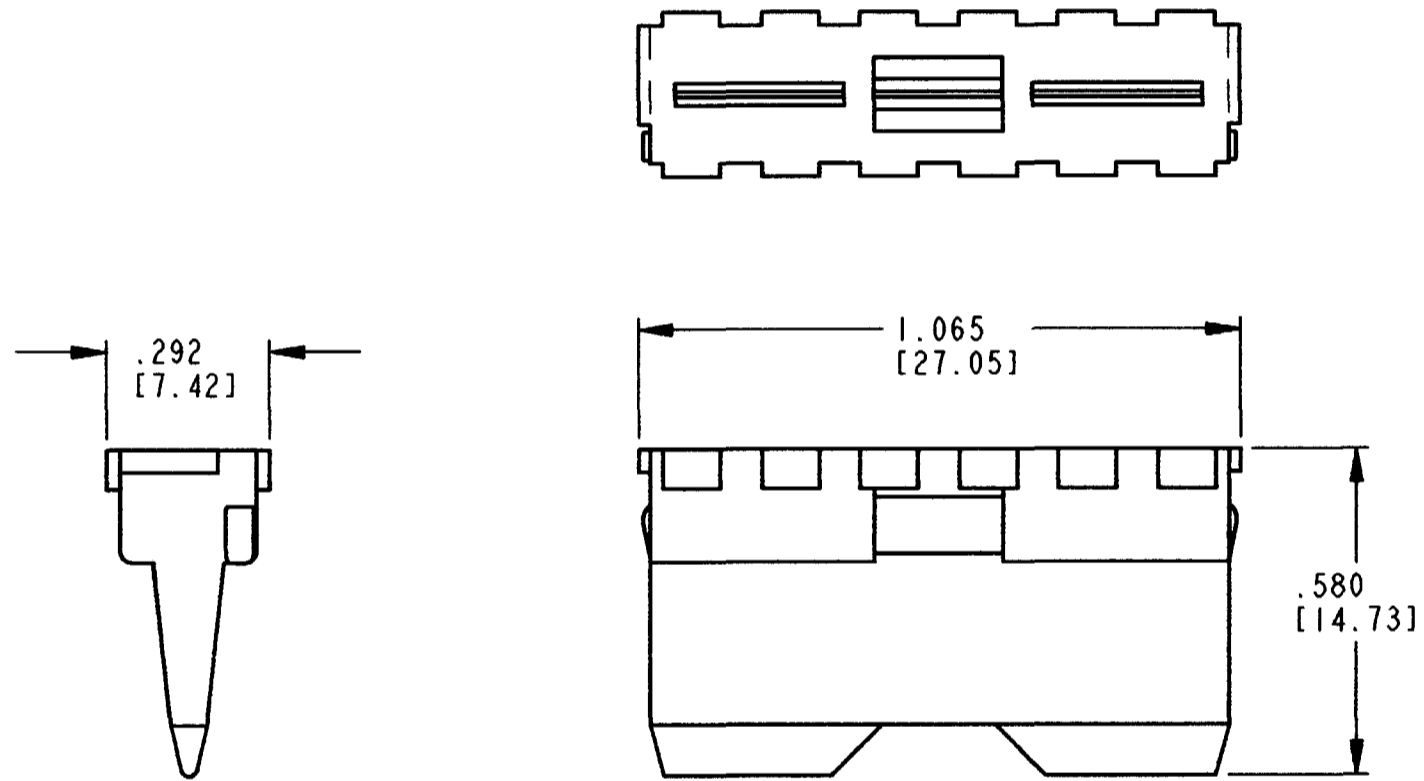
Email & Skype: info@chipsmall.com Web: www.chipsmall.com

Address: A1208, Overseas Decoration Building, #122 Zhenhua RD., Futian, Shenzhen, China



REV
B W12P

REVISIONS			
SYM	DESCRIPTION	DATE	APPROVED
NC	NEW RELEASE PER E.O. A09349	10/8/90	JA
A	REVISED PER E.O. P15887	2-15-99	RDR
B	REVISED PER E.O. P19120	12-16-05	RDR



- NOTES:
1. ALL DIMENSIONS ARE IN INCHES UNLESS OTHERWISE SPECIFIED.
 2. ALL DIMENSIONS +/- .025 [0.64] UNLESS OTHERWISE SPECIFIED.
 3. CONSULT FACTORY FOR APPLICATION.
 4. COLOR OF MATERIAL: GREEN.
 5. MATES WITH DT04-12P*-****.

SIGNATURE & DATE	
DR	C. WOODRUFF 04OCT90
CHK	<i>[Signature]</i> 12/16/05
PE	<i>[Signature]</i> 12/16/05
APPD	<i>[Signature]</i> 12-9-05
SCALE	NONE WT —

WEDGE LOCK
FOR
12 WAY RECEPTACLE
D.T. SERIES

ENVELOPE

CP	MATL. CODE
The Deutsch Company DEUTSCH I. P. D. 3850 INDUSTRIAL AVE. HEMET, CALIF. 92545	
B	W12P
DWG SIZE	CODE 11139 SHEET OF