



Chipsmall Limited consists of a professional team with an average of over 10 year of expertise in the distribution of electronic components. Based in Hongkong, we have already established firm and mutual-benefit business relationships with customers from,Europe,America and south Asia,supplying obsolete and hard-to-find components to meet their specific needs.

With the principle of “Quality Parts,Customers Priority,Honest Operation,and Considerate Service”,our business mainly focus on the distribution of electronic components. Line cards we deal with include Microchip,ALPS,ROHM,Xilinx,Pulse,ON,Everlight and Freescale. Main products comprise IC,Modules,Potentiometer,IC Socket,Relay,Connector.Our parts cover such applications as commercial,industrial, and automotives areas.

We are looking forward to setting up business relationship with you and hope to provide you with the best service and solution. Let us make a better world for our industry!



Contact us

Tel: +86-755-8981 8866 Fax: +86-755-8427 6832

Email & Skype: info@chipsmall.com Web: www.chipsmall.com

Address: A1208, Overseas Decoration Building, #122 Zhenhua RD., Futian, Shenzhen, China



Penta Band Right Angle Stubby Antenna

Pulse Part Numbers: W1900 / W1902



Features

- Small form factor
- Antenna size W x L x H (18.4 x 8.0 x 49.5mm)
- Lead free materials
- RoHS Compliant Product
- Connector Type: SMA

Applications

- Penta band EU/US GSM/WCDMA
- Frequency range: 850 / 900 / 1800 / 1900/ 2100 MHz
- M2M Applications

Part Numbers:

P/N	Connector
W1900	SMA(Male)
W1902	RP-SMA(Male)

Electrical specifications @ +25 °C

Note: Electrical characteristics depend on device mechanics.

W1900 & W1902 Typical free space performance, measured in test unit mechanics (position 1.)

Frequency [MHz]	Max Gain [dBi]	Efficiency [%] / [dB]	Return loss min. [dB]	Impedance [Ω]	Operating Temperature [°C]
824 - 960	1.0 (peak) -0.5 (min)	65 / -1.8 (peak) 50 / -3.0 (min)	-4	50	-40 to +85
1710 - 1990	2.0 (peak) 0.5 (min)	65 / -1.8 (peak) 50 / -3.0 (min)	-6		
1920 - 2170	2.5 (peak) 2.0 (min)	65 / -1.8 (peak) 50 / -3.0 (min)	-6		

Pulse Finland Oy

Takatie 6
90440 Kempele, Finland
Tel: +358 207 935 500
Fax: +358 207 935 501

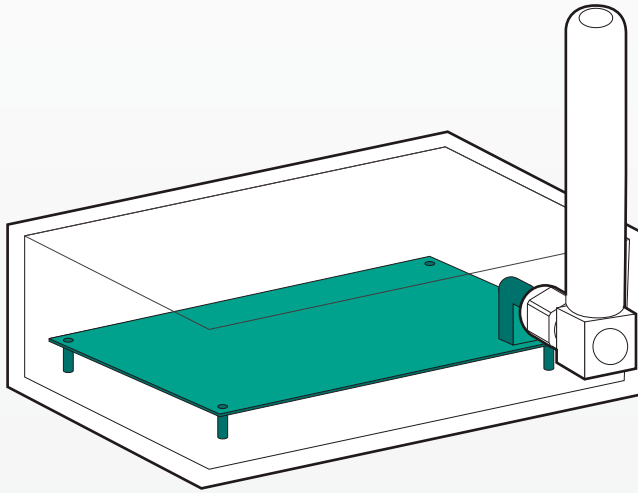
www.pulseeng.com/antennas



Penta Band Right Angle Stubby Antenna

Pulse Part Numbers: W1900 / W1902

Test Unit and Antenna Mounting Position 1



Ground Plane Size: 70mm(L) x 50mm(W) x 1mm(T)

Pulse Finland Oy

Takatie 6
90440 Kempele, Finland
Tel: +358 207 935 500
Fax: +358 207 935 501

www.pulseeng.com/antennas



Penta Band Right Angle Stubby Antenna

Pulse Part Numbers: W1900 / W1902

Typical Electrical Characteristics (T=25 °C)

Typical free space performance, measured in test unit mechanics with 150mm feed cable (position 1.)

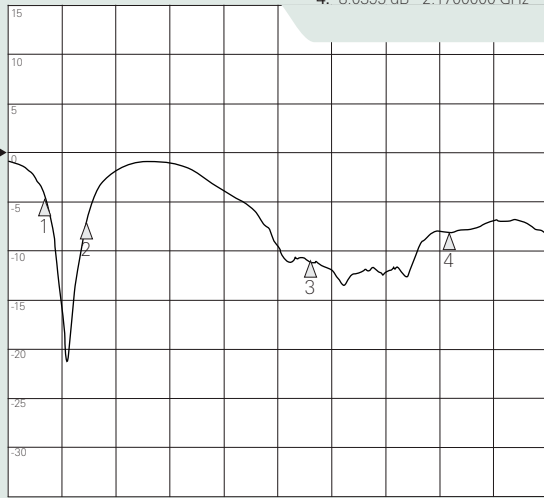
W1900, W1902

CH1 Markers

- 1. -4.5578 dB 824.00000 MHz
- 2. -6.9178 dB 960.00000 MHz
- 3. -11.118 dB 1.7100000 GHz
- 4. -8.0395 dB 2.1700000 GHz

CH1 S11 LOG

5 dB/REF 0dB

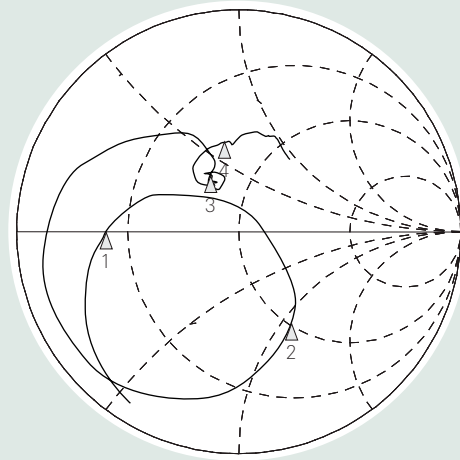


W1900, W1902

- 1. 824.000MHz 12.600Ω -313.13mΩ 616.83pF
- 2. 960.000MHz 51.934Ω -54.344Ω 3.0507pF
- 3. 1.71000GHz 34.219Ω 19.439Ω 1.8093nH
- 4. 2.17000GHz 35.295Ω 31.096Ω 2.2807nH

CH1 S11 1 U FS

Cor

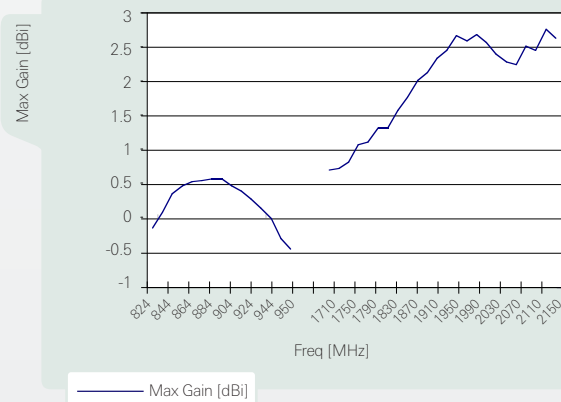


Free Space Efficiency and Maximum Gain

W1900, W1902 Efficiency



W1900, W1902 Max Gain



Pulse Finland Oy

Takatie 6
90440 Kempele, Finland
Tel: +358 207 935 500
Fax: +358 207 935 501

www.pulseeng.com/antennas

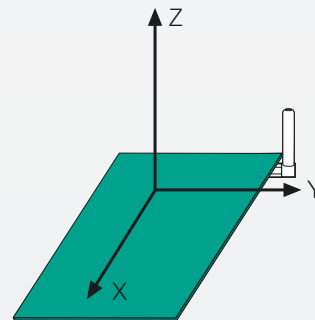
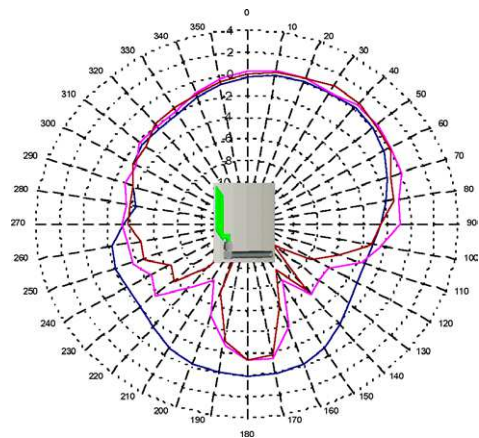
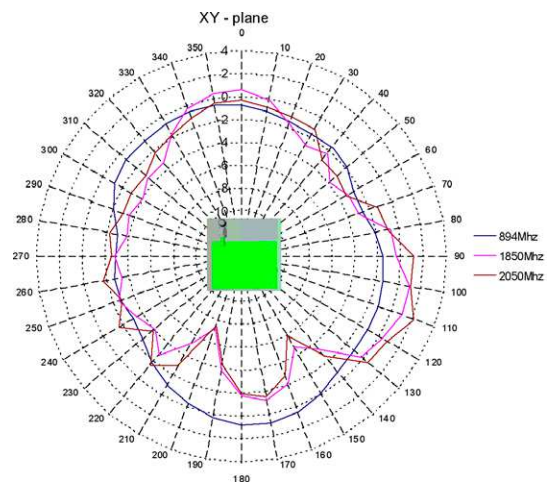
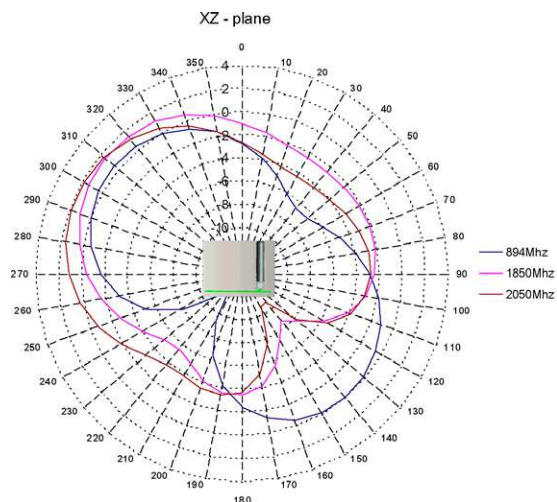


Penta Band Right Angle Stubby Antenna

Pulse Part Numbers: W1900 / W1902

Typical Free space Radiation Patterns

Patterns measured in test unit mechanics (position1.)



Pulse Finland Oy

Takatie 6
90440 Kempele, Finland
Tel: +358 207 935 500
Fax: +358 207 935 501

www.pulseeng.com/antennas

