



Chipsmall Limited consists of a professional team with an average of over 10 year of expertise in the distribution of electronic components. Based in Hongkong, we have already established firm and mutual-benefit business relationships with customers from,Europe,America and south Asia,supplying obsolete and hard-to-find components to meet their specific needs.

With the principle of “Quality Parts,Customers Priority,Honest Operation,and Considerate Service”,our business mainly focus on the distribution of electronic components. Line cards we deal with include Microchip,ALPS,ROHM,Xilinx,Pulse,ON,Everlight and Freescale. Main products comprise IC,Modules,Potentiometer,IC Socket,Relay,Connector.Our parts cover such applications as commercial,industrial, and automotives areas.

We are looking forward to setting up business relationship with you and hope to provide you with the best service and solution. Let us make a better world for our industry!



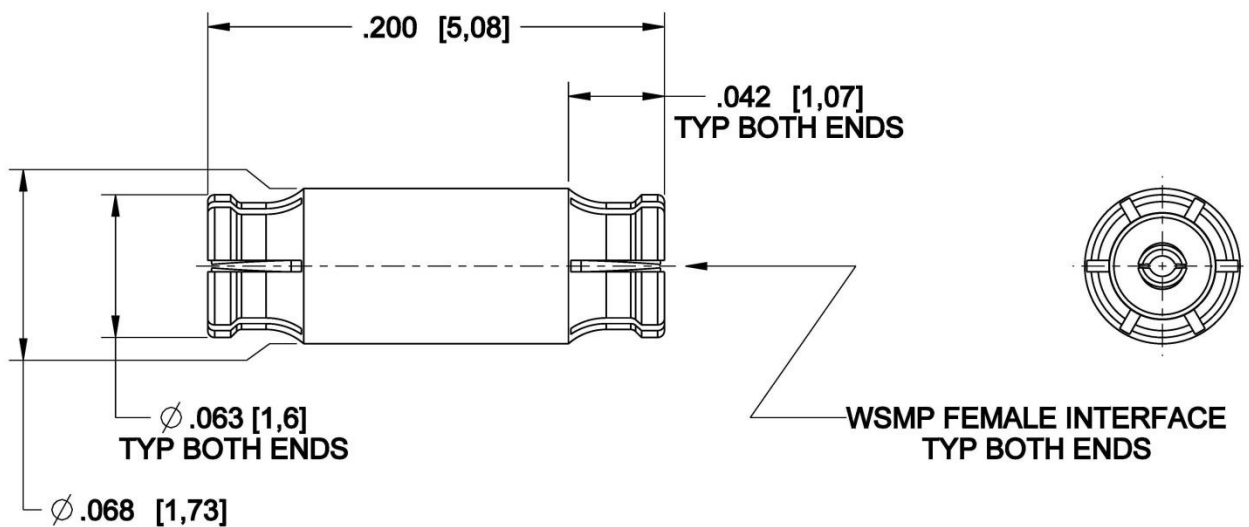
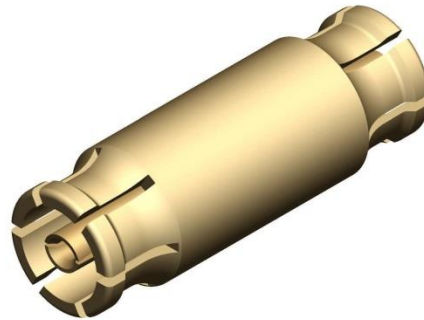
Contact us

Tel: +86-755-8981 8866 Fax: +86-755-8427 6832

Email & Skype: info@chipsmall.com Web: www.chipsmall.com

Address: A1208, Overseas Decoration Building, #122 Zhenhua RD., Futian, Shenzhen, China





Interface

According to

Rosenberger WSMP™ Interface standards

Material and plating

Connector parts

Body

Material

CuBe per ASTM B196

Plating

Hard gold 50µIN [1,27µm] min over

Contact

CuBe per ASTM B196

Nickel 50µIN [1,27µm] min

Hard gold 50µIN [1,27µm] min over

Dielectric

PTFE

Nickel 50µIN [1,27µm] min

WSMP

Adaptor (Bullet)
Female to Female

W1K10G-K00D3

Electrical data

Impedance	50 Ω
Frequency	DC to 100 GHz
Return loss (typical)	≥ 26 dB, DC to 26.5 GHz ≥ 19 dB, 26.5 to 65 GHz
Insertion loss	≤ 0.12 x √f(GHz) dB
Insulation resistance	≥ 3.5 x 10 ³ MΩ
Center contact resistance	≤ 2.0 mΩ
Outer contact resistance	≤ 6.0 mΩ
Test voltage (at sea level)	250 V rms
RF High Potential (at sea level)	150 V rms @ 5 MHz
RF-leakage	≥ -80 dB (typical mated pair)

- Limitations are possible due to the used cable type

Mechanical data

Mating cycles	
- Full Detent mating plug	≥ 100
- Smooth Bore mating plug	≥ 500
Engagement force (typical)	
- Full Detent	2.5 lb _f [11 N]
- Smooth Bore	1.2 lb _f [5.3 N]
Disengagement force (typical)	
- Full Detent	4.5 lb _f [20 N]
- Smooth Bore	1.0 lb _f [4.5 N]

Environmental data

Temperature range	-55° to +165°C
Thermal shock	MIL-STD-202, Meth. 107, Condition B
Corrosion	MIL-STD-202, Method 101
Vibration	MIL-STD-202, Method 204, Condition D
Shock	MIL-STD-202, Meth. 213, Condition I
Moisture resistance 2002/95/EC (RoHS)	MIL-STD-202, Method 106, except Step 7B compliant

Tooling

Installation/Extraction tool	W1W002-000
------------------------------	------------

Suitable cables

N/A

Packing

Standard	100 pcs in a bag
----------	------------------

Dieses Dokument ist urheberrechtlich geschützt • This document is protected by copyright • Rosenberger Hochfrequenztechnik GmbH & Co. KG

Draft	Date	Approved	Date	Rev.	Engineering change number	Name	Date
R. Hosler	10/30/13	M. Peeran	10/30/13	a00	14-s000; Released	M. Peeran	8/8/14

Rosenberger of North America, LLC P.O. Box 309 Akron, PA USA 17501 www.rosenbergerna.com				Tel. : +1.717.859.8900 Fax : +1.717.859.7044 Email : info@rosenbergerna.com		Page 2 / 2	
---	--	--	--	---	--	---------------	--