



Chipsmall Limited consists of a professional team with an average of over 10 year of expertise in the distribution of electronic components. Based in Hongkong, we have already established firm and mutual-benefit business relationships with customers from,Europe,America and south Asia,supplying obsolete and hard-to-find components to meet their specific needs.

With the principle of “Quality Parts,Customers Priority,Honest Operation,and Considerate Service”,our business mainly focus on the distribution of electronic components. Line cards we deal with include Microchip,ALPS,ROHM,Xilinx,Pulse,ON,Everlight and Freescale. Main products comprise IC,Modules,Potentiometer,IC Socket,Relay,Connector.Our parts cover such applications as commercial,industrial, and automotives areas.

We are looking forward to setting up business relationship with you and hope to provide you with the best service and solution. Let us make a better world for our industry!



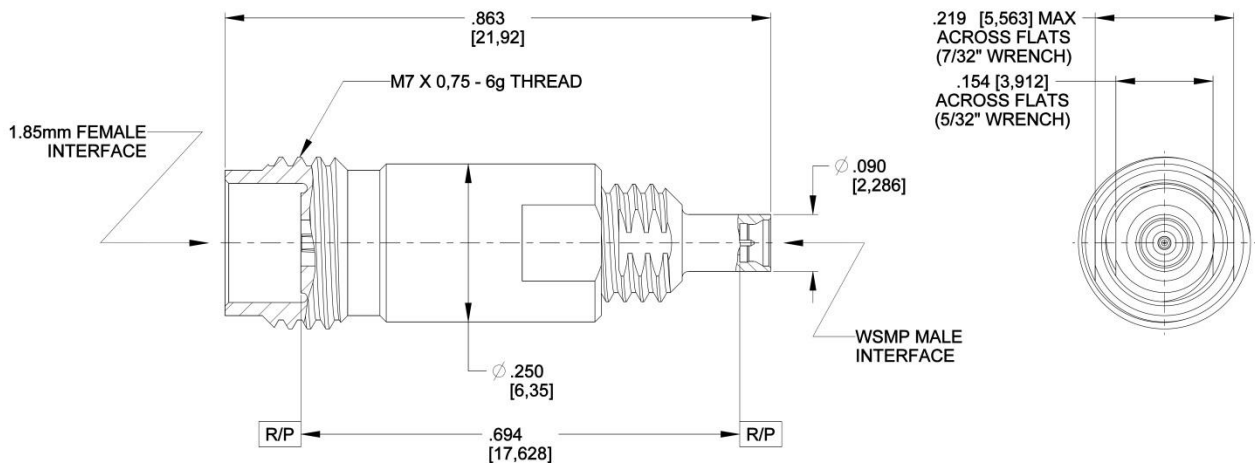
## Contact us

Tel: +86-755-8981 8866 Fax: +86-755-8427 6832

Email & Skype: info@chipsmall.com Web: www.chipsmall.com

Address: A1208, Overseas Decoration Building, #122 Zhenhua RD., Futian, Shenzhen, China





All dimensions are in inches [mm]

**Interface**

According to

WSMP™ Interface according to Rosenberger standards  
1.85mm interface according to IEC 61169-32 standards

**Material and plating**

**Connector parts**  
WSMP Male and 1.85mm Body  
Contact

**Material**  
Stainless Steel  
BeCu

**Plating**  
Passivated  
Hard gold, 50µIN [1,27µm] min, over  
nickel, 50µIN [1,27µm] min

Dielectric  
Dielectric

PTFE  
Ultem® 1000

Dieses Dokument ist urheberrechtlich geschützt • This document is protected by copyright • Rosenberger Hochfrequenztechnik GmbH & Co. KG

WSMP

WSMP Male to  
1.85mm Jack Test Adapter

**W1S108-K00S3**

**Electrical data**

Impedance	50 Ω
Frequency	DC to 65 GHz
Return loss (typical)	≥ 30 dB, DC to 26.5 GHz ≥ 16 dB, 26.5 to 50 GHz ≥ 14 dB, 50 to 65 GHz
Insertion loss	≤ 0.12 x √f(GHz)dB
Insulation resistance	≥ 3.5 x10 <sup>3</sup> MΩ
Center contact resistance	≤ 2.0 mΩ
Outer contact resistance	≤ 6.0 mΩ
Test voltage (at sea level)	250 V rms
RF High Potential (at sea level)	150 V rms @ 5 MHz
RF-leakage	≥ -80 dB

**Mechanical data**

Mating cycles	
- Full Detent mating plug	≥ 100
- Smooth Bore mating plug	≥ 500
Engagement force (typical)	
- Full Detent	2.5 lb <sub>f</sub> [11 N]
- Smooth Bore	1.2 lb <sub>f</sub> [5.3 N]
Disengagement force (typical)	
- Full Detent	4.5 lb <sub>f</sub> [20 N]
- Smooth Bore	1.0 lb <sub>f</sub> [4.5 N]

**Environmental data**

Temperature range	-55°C to +165°C
Thermal shock	N/A
Corrosion	N/A
Vibration	N/A
Shock	N/A
Moisture resistance	N/A
2002/95/EC (RoHS)	compliant

**Tooling**

Extraction tool	N/A
-----------------	-----

**Suitable cables**

N/A

**Packing**

Standard	1 per box
Weight	0.0073 lb. [3.3 g] / pc

Dieses Dokument ist urheberrechtlich geschützt • This document is protected by copyright • Rosenberger Hochfrequenztechnik GmbH & Co. KG

RF\_35/05.10/6.0

Draft	Date	Approved	Date	Rev.	Engineering change number	Name	Date
R. Hosler	1/24/2014	M. Peeran	1/24/2014	a01	ECN 14-0001	M. Peeran	5/7/2014

Rosenberger of North America, LLC P.O. Box 309 Akron, PA USA 17501 <a href="http://www.rosenbergerna.com">www.rosenbergerna.com</a>					Tel. : +1.717.859.8900 Fax : +1.717.859.7044 Email : <a href="mailto:info@rosenbergerna.com">info@rosenbergerna.com</a>		Page 2 / 2
---	--	--	--	--	---	--	---------------