



Chipsmall Limited consists of a professional team with an average of over 10 year of expertise in the distribution of electronic components. Based in Hongkong, we have already established firm and mutual-benefit business relationships with customers from,Europe,America and south Asia,supplying obsolete and hard-to-find components to meet their specific needs.

With the principle of “Quality Parts,Customers Priority,Honest Operation,and Considerate Service”,our business mainly focus on the distribution of electronic components. Line cards we deal with include Microchip,ALPS,ROHM,Xilinx,Pulse,ON,Everlight and Freescale. Main products comprise IC,Modules,Potentiometer,IC Socket,Relay,Connector.Our parts cover such applications as commercial,industrial, and automotives areas.

We are looking forward to setting up business relationship with you and hope to provide you with the best service and solution. Let us make a better world for our industry!



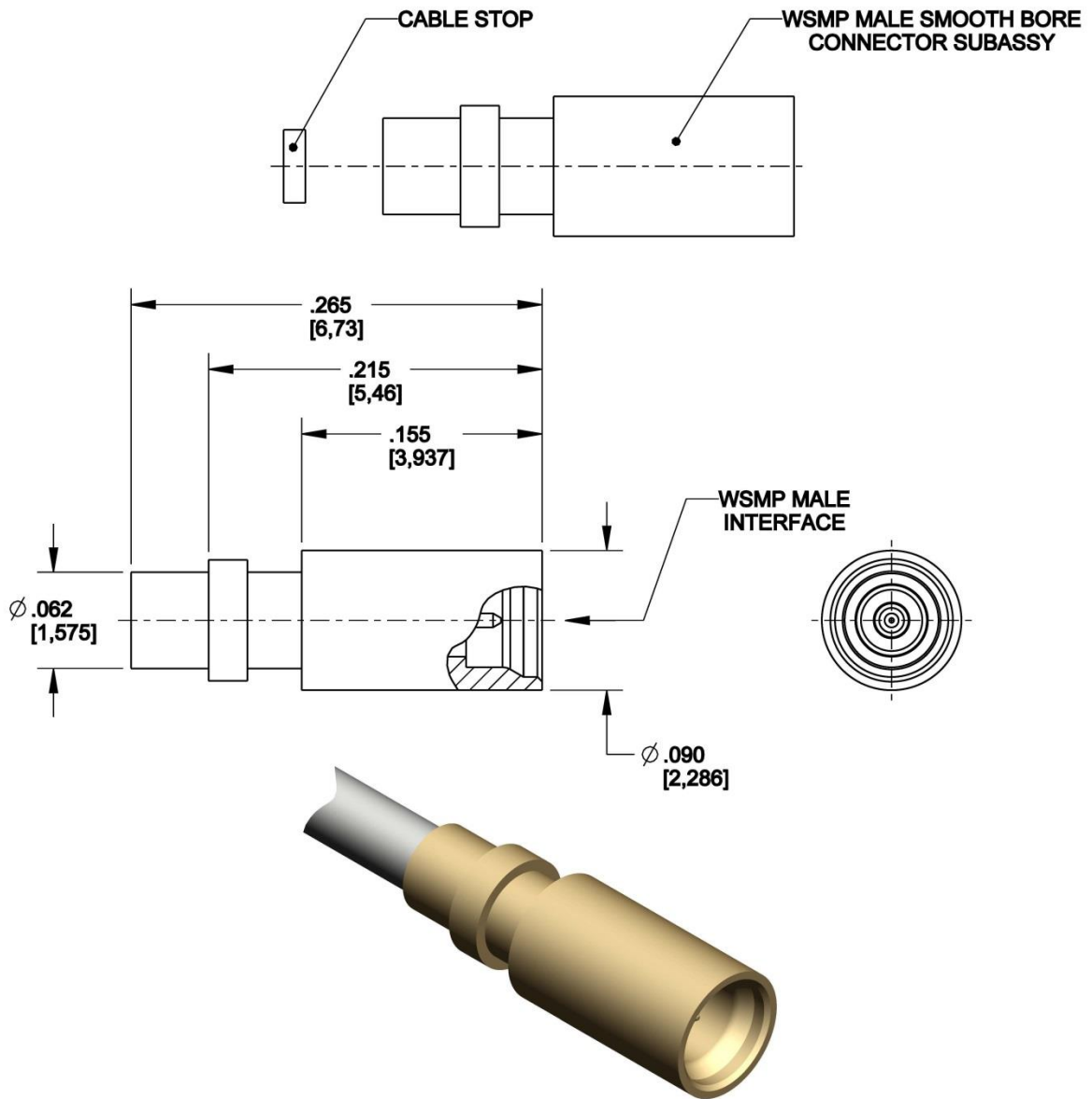
Contact us

Tel: +86-755-8981 8866 Fax: +86-755-8427 6832

Email & Skype: info@chipsmall.com Web: www.chipsmall.com

Address: A1208, Overseas Decoration Building, #122 Zhenhua RD., Futian, Shenzhen, China





All dimensions are in inches [mm]

Interface

According to Rosenberger WSMP™ Interface standards

Documents

Assembly instruction W1S

Material and plating

Connector parts	Material	Plating
Body and center contact	BeCu	Hard gold, 50µIN [1,27µm] min, over nickel, 50µIN [1,27µm] min
Dielectric	PTFE	
Cable stop	Ultem® 1000	

Dieses Dokument ist urheberrechtlich geschützt • This document is protected by copyright • Rosenberger Hochfrequenztechnik GmbH & Co. KG

WSMP

Straight Male Smooth Bore
Cable Plug

W1S141-270D3

Electrical data

Impedance 50 Ω
 Frequency DC to 100 GHz
 Return loss (typical) ≥ 26 dB, DC to 26.5 GHz
 ≥ 19 dB, 26.5 to 65 GHz
 Insertion loss ≤ 0.12 x √f(GHz) dB
 Insulation resistance ≥ 3.5 x 10³ MΩ
 Center contact resistance ≤ 2.0 mΩ
 Outer contact resistance ≤ 6.0 mΩ
 Test voltage (at sea level) 250 V rms
 RF High Potential (at sea level) 150 V rms @ 5 MHz
 RF-leakage ≥ -80 dB (typical mated pair)

Mechanical data

Mating cycles
 - Smooth Bore mating plug ≥ 500
 Engagement force (typical)
 - Smooth Bore 1.2 lb_f [5.3 N]
 Disengagement force (typical)
 - Smooth Bore 1.0 lb_f [4.5 N]

Environmental data

Temperature range -55°C to +165°C
 Thermal shock MIL-STD-202, Method 107, Condition B
 Corrosion MIL-STD-202, Method 101
 Vibration MIL-STD-202, Method 204, Condition D
 Shock MIL-STD-202, Method 213, Condition I
 Moisture resistance MIL-STD-202, Method 106, except Step 7B
 2002/95/EC (RoHS) compliant

Tooling

Extraction tool W1W001-000

Suitable cables

UT047-TP, RTK 047, RTK-FLEX 047

Packing

Standard 100 pcs in a bag
 Weight .000247 lb [0,112 g] / pc

Dieses Dokument ist urheberrechtlich geschützt • This document is protected by copyright • Rosenberger Hochfrequenztechnik GmbH & Co. KG

RF_35/05.10/6.0

Draft	Date	Approved	Date	Rev.	Engineering change number	Name	Date
R. Hosler	9/18/2013	M. Peeran	9/18/2013	a01	ECN 14-1376	M. Peeran	9/26/2014

Rosenberger of North America, LLC P.O. Box 309 Akron, PA USA 17501 www.rosenbergerna.com				Tel. : +1.717.859.8900 Fax : +1.717.859.7044 Email : info@rosenbergerna.com			Page 2 / 2
---	--	--	--	---	--	--	---------------