



Chipsmall Limited consists of a professional team with an average of over 10 year of expertise in the distribution of electronic components. Based in Hongkong, we have already established firm and mutual-benefit business relationships with customers from,Europe,America and south Asia,supplying obsolete and hard-to-find components to meet their specific needs.

With the principle of “Quality Parts,Customers Priority,Honest Operation,and Considerate Service”,our business mainly focus on the distribution of electronic components. Line cards we deal with include Microchip,ALPS,ROHM,Xilinx,Pulse,ON,Everlight and Freescale. Main products comprise IC,Modules,Potentiometer,IC Socket,Relay,Connector.Our parts cover such applications as commercial,industrial, and automotives areas.

We are looking forward to setting up business relationship with you and hope to provide you with the best service and solution. Let us make a better world for our industry!



Contact us

Tel: +86-755-8981 8866 Fax: +86-755-8427 6832

Email & Skype: info@chipsmall.com Web: www.chipsmall.com

Address: A1208, Overseas Decoration Building, #122 Zhenhua RD., Futian, Shenzhen, China



Customer Information Sheet

DRAWING No.: W2222-00

SHEET 2 OF 2

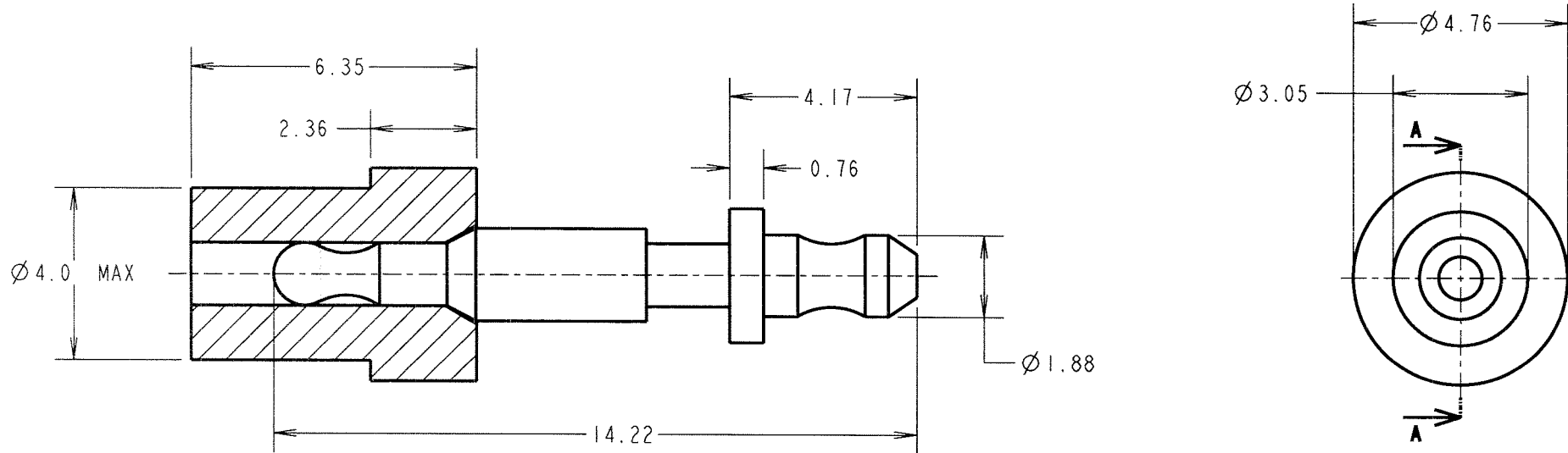
IF IN DOUBT - ASK

(C)

NOT TO SCALE

THIRD ANGLE PROJECTION

ALL DIMENSIONS IN mm



SECTION A-A

SPECIFICATIONS:

MATERIAL:

INSULATOR = PTFE, WHITE

TERMINAL = BRASS

FINISH:

TERMINAL = 3.5 μ SILVER

ELECTRICAL:

CURRENT RATING = 5A MAX

VOLTAGE PROOF = 5KV

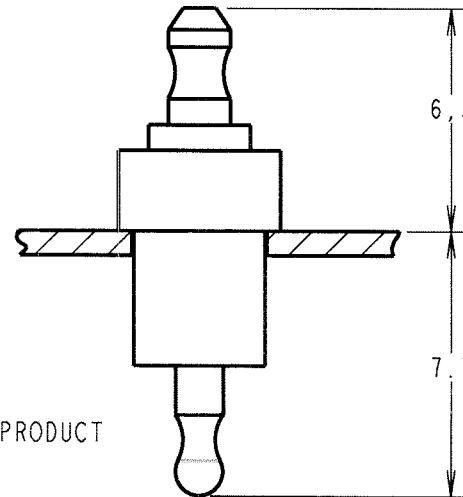
ENVIRONMENTAL:

MAX. TEMPERATURE RATING = 200°C

NOTES:

1. FOR ASSEMBLY INSTRUCTIONS, SEE INSTRUCTION SHEET IS-24.
2. USE ASSEMBLY TOOL Z1001-00.
3. RECOMMENDED PCB HOLE SIZE = $\varnothing 3.96$ mm.
4. RECOMMENDED PCB THICKNESS = 0.72-1.6mm.

FINISHED PRODUCT



| | | | |
|------------------------------|------|----------|--------|
| JAE | 4 | 22.10.04 | 8184 |
| NAME | ISS. | DATE | C/NOTE |
| APPROVED: <i>[Signature]</i> | | | |
| CHECKED: <i>[Signature]</i> | | | |
| DRAWN: K. SHIER | | | |
| CUSTOMER REF.: | | | |
| ASSEMBLY DRG: | | | |

HARWIN

THIS DRAWING AND ANY INFORMATION OR DESCRIPTIVE MATTER SET OUT HEREON ARE CONFIDENTIAL AND COPYRIGHT PROPERTY OF THE HARWIN GROUP AND MUST NOT BE DISCLOSED, LOANED, COPIED OR USED FOR MANUFACTURING, TENDERING OR FOR ANY OTHER PURPOSE WITHOUT THEIR WRITTEN PERMISSION.

TOLERANCES

X. = ± 1 mm
 X.X = ± 0.25 mm
 X.XX = ± 0.10 mm
 X.XXX = ± 0.01 mm

ANGLES = $\pm 5^\circ$
 UNLESS STATED

MATERIAL:

SEE ABOVE

FINISH:

SEE ABOVE

S/AREA:

mm²

TITLE:

FEED THROUGH INSULATOR
 (PARTIALLY ASSEMBLED)

DRAWING NUMBER:

W2222-00

| | | |
|--|--|---|
| HARWIN INC U.S.A. TEL: (812) 542 2546 FAX: (812) 542 2541 | HARWIN PLC U.K. TEL: 023 9231 4545 FAX: 023 9231 4590 | HARWIN PTE SINGAPORE TEL: 65 6779 4909 FAX: 65 6779 3868 |
|--|--|---|

SHT
2 OF 2