



Chipsmall Limited consists of a professional team with an average of over 10 year of expertise in the distribution of electronic components. Based in Hongkong, we have already established firm and mutual-benefit business relationships with customers from,Europe,America and south Asia,supplying obsolete and hard-to-find components to meet their specific needs.

With the principle of “Quality Parts,Customers Priority,Honest Operation,and Considerate Service”,our business mainly focus on the distribution of electronic components. Line cards we deal with include Microchip,ALPS,ROHM,Xilinx,Pulse,ON,Everlight and Freescale. Main products comprise IC,Modules,Potentiometer,IC Socket,Relay,Connector.Our parts cover such applications as commercial,industrial, and automotives areas.

We are looking forward to setting up business relationship with you and hope to provide you with the best service and solution. Let us make a better world for our industry!



Contact us

Tel: +86-755-8981 8866 Fax: +86-755-8427 6832

Email & Skype: info@chipsmall.com Web: www.chipsmall.com

Address: A1208, Overseas Decoration Building, #122 Zhenhua RD., Futian, Shenzhen, China



W2G115 Series

Tubeaxial

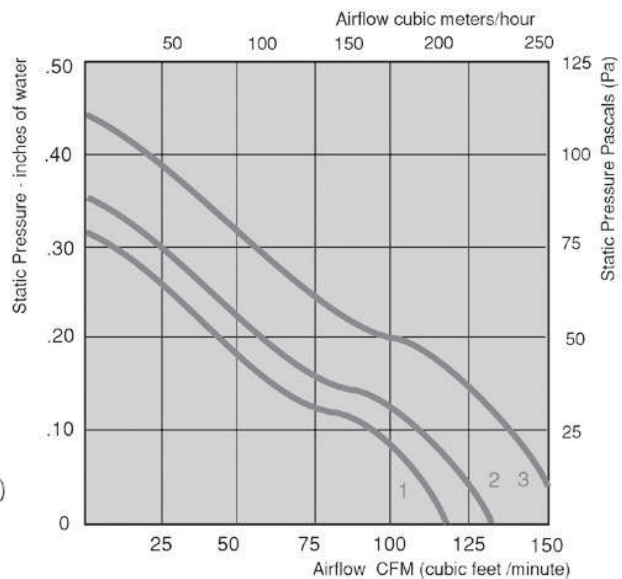
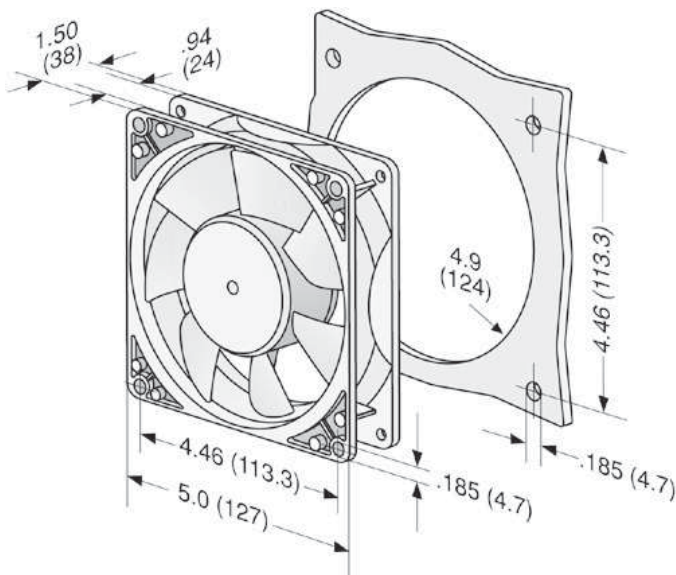
127x127x38mm



- DC fans with electronically commutated external rotor motor. Fully integrated commutation electronics.
- With electronic protection against reverse polarity and locked-rotor.
- Mounting from either face using four 4.7 mm holes.

- Die-cast aluminum housing. Impeller of sheet-steel, directly welded onto rotor and stove-enameled.
- Air exhaust over struts. Rotational direction CCW looking at rotor.
- Electrical connection via 2 flat pins 2.8 x 0.8 mm.
- UL, CSA, VDE approvals on some models, please contact application engineering.

Part Number	Curve	CFM @ 0	VDC	Volt. Range	Power (W)	dBA	Max Amb. Temp C	Bearing Type	Features	Wgt. (lbs)
W2G115-AD15-01	1	118	12	8 to 16	4.5	44	72	Ball	Leads	1.31
W2G115-AD15-13	1	118	12	8 to 16	4.5	44	72	Ball	Terminals	1.31
W2G115-AE53-01	2	130	12	8 to 16	5.9	48	72	Ball	Leads	1.56
W2G115-AE53-13	2	130	12	8 to 16	5.9	48	72	Ball	Terminals	1.56
W2G115-AD17-01	1	118	24	18 to 30	4.7	44	72	Ball	Leads	1.31
W2G115-AD17-13	1	118	24	18 to 30	4.7	44	72	Ball	Leads	1.31
W2G115-AE31-01	2	130	24	18 to 30	5.7	48	72	Ball	Leads	1.56
W2G115-AE31-13	2	130	24	18 to 30	5.7	48	72	Ball	Terminals	1.56
W2G115-AG71-01	3	160	24	16 to 28	12.0	52	72	Ball	Leads	1.56
W2G115-AG71-09	3	160	24	16 to 28	12.0	52	72	Ball	Terminals	1.56
W2G115-AG71-12	3	160	24	16 to 28	12.0	52	72	Ball	Terminals	1.56
W2G115-AD19-01	1	118	48	36 to 56	4.6	44	72	Ball	Leads	1.31



ebmpapst

e-mail: sales@us.ebmpapst.com · TEL: 860-674-1515 · FAX: 860-674-8536

ebm-papst Inc., 100 Hyde Road, Farmington, CT 06034 USA

ebm-papst Inc., 2004 © ebm-papst Inc. reserves the right to change any specifications or data without notice