



Chipsmall Limited consists of a professional team with an average of over 10 year of expertise in the distribution of electronic components. Based in Hongkong, we have already established firm and mutual-benefit business relationships with customers from,Europe,America and south Asia,supplying obsolete and hard-to-find components to meet their specific needs.

With the principle of “Quality Parts,Customers Priority,Honest Operation,and Considerate Service”,our business mainly focus on the distribution of electronic components. Line cards we deal with include Microchip,ALPS,ROHM,Xilinx,Pulse,ON,Everlight and Freescale. Main products comprise IC,Modules,Potentiometer,IC Socket,Relay,Connector.Our parts cover such applications as commercial,industrial, and automotives areas.

We are looking forward to setting up business relationship with you and hope to provide you with the best service and solution. Let us make a better world for our industry!



## Contact us

Tel: +86-755-8981 8866 Fax: +86-755-8427 6832

Email & Skype: info@chipsmall.com Web: www.chipsmall.com

Address: A1208, Overseas Decoration Building, #122 Zhenhua RD., Futian, Shenzhen, China





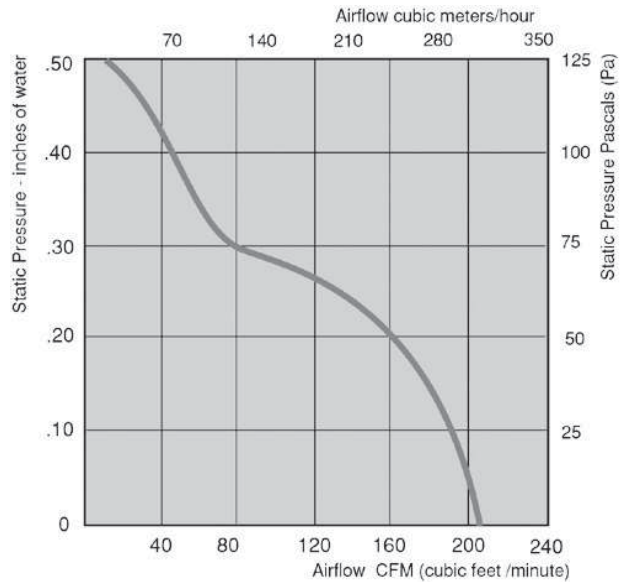
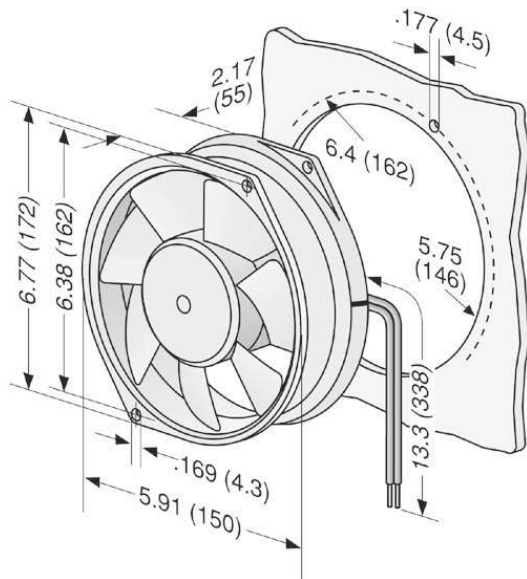
# W2G130 Series

Tubeaxial

Ø 150x55mm

- DC fans with electronically commutated external rotor motor. Fully integrated commutation electronics.
- With electronic protection against reverse polarity and locked-rotor.
- Mounting from either face using two 4.5 mm holes.
- Die-cast aluminum housing. Impeller of sheet-steel, directly welded on to rotor and stove-enameled in black.
- Air exhaust over struts. Rotational direction CCW looking at rotor.
- Connecting leads: red = +; blue = -
- UL, CSA, VDE approvals on some models, please contact application engineering.

Part Number	CFM @ D	VDC	Volt. Range	Power (W)	dBa	Max Amb. Temp C	Bearing Type	Features	Wgt. (lbs)
W2G130-AA31-01	203	12	6 to 16	14.0	51	60	Ball	Leads	2.19
W2G130-AA31-20	203	12	6 to 16	14.0	51	60	Ball	Leads	2.19
W2G130-AA33-01	203	24	18 to 30	14.0	51	60	Ball	Leads	2.19
W2G130-AA33-20	203	24	18 to 30	14.0	51	60	Ball	Leads	2.19
W2G130-AA09-01	203	48	36 to 56	14.0	51	60	Ball	Leads	2.19
W2G130-AA09-20	203	48	36 to 56	14.0	51	60	Ball	Leads	2.19



**ebmpapst**

e-mail: [sales@us.ebmpapst.com](mailto:sales@us.ebmpapst.com) · TEL: 860-674-1515 · FAX: 860-674-8536

ebm-papst Inc., 100 Hyde Road, Farmington, CT 06034 USA

ebm-papst Inc., 2004 © ebm-papst Inc. reserves the right to change any specifications or data without notice