



Chipsmall Limited consists of a professional team with an average of over 10 year of expertise in the distribution of electronic components. Based in Hongkong, we have already established firm and mutual-benefit business relationships with customers from,Europe,America and south Asia,supplying obsolete and hard-to-find components to meet their specific needs.

With the principle of “Quality Parts,Customers Priority,Honest Operation,and Considerate Service”,our business mainly focus on the distribution of electronic components. Line cards we deal with include Microchip,ALPS,ROHM,Xilinx,Pulse,ON,Everlight and Freescale. Main products comprise IC,Modules,Potentiometer,IC Socket,Relay,Connector.Our parts cover such applications as commercial,industrial, and automotives areas.

We are looking forward to setting up business relationship with you and hope to provide you with the best service and solution. Let us make a better world for our industry!



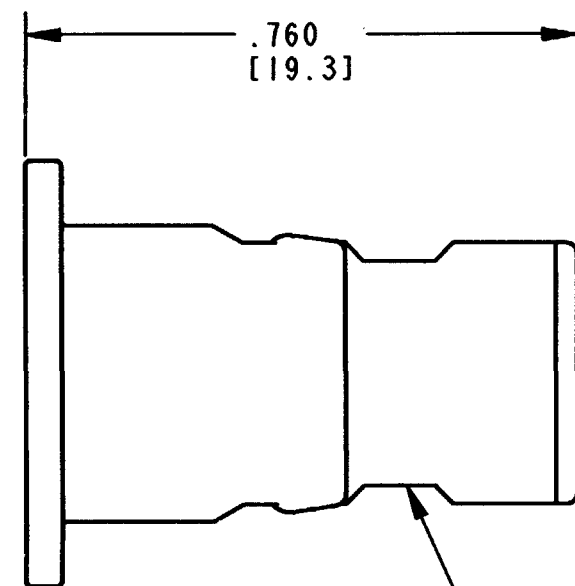
## Contact us

Tel: +86-755-8981 8866 Fax: +86-755-8427 6832

Email & Skype: info@chipsmall.com Web: www.chipsmall.com

Address: A1208, Overseas Decoration Building, #122 Zhenhua RD., Futian, Shenzhen, China

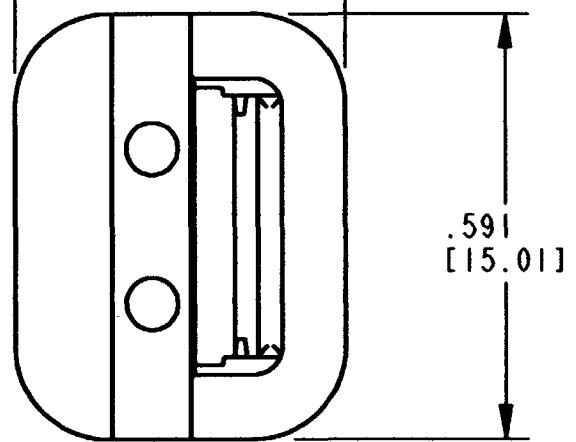
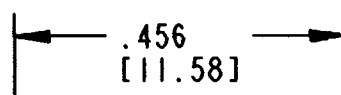




CUTOUT FEATURE OPTIONAL 2PL

REV  
B

W2S



REVISIONS			
SYM	DESCRIPTION	DATE	APPROVED
NC	NEW RELEASE PER E.O. A09191	4/17/89	J.A.
A	REVISED PER E.O. P17508	11/16/01	R.D.R.
B	REVISED PER E.O. P19797	4-21-08	AR

- 4. W2S WEDGE USED WITH DT06-2S PLUG.
- 3. CONSULT FACTORY FOR APPLICATION.
- 2. DIMENSIONS ARE ±.025 [.64] UNLESS OTHERWISE SPECIFIED.

NOTES: 1. DIMENSIONS ARE IN INCHES [MILLIMETERS].

SIGNATURE & DATE	
DR	DE KAY 4-10-89
CHK	<i>[Signature]</i> 4/15/08
PE	<i>[Signature]</i> 3/18/08
APPD	<i>[Signature]</i> 4-1-08
SCALE	NONE WT

WEDGE LOCK  
FOR  
2 CONTACT PLUG  
COLOR: ORANGE  
DT SERIES  
  
ENVELOPE

EP	MATL. CODE
3850 INDUSTRIAL AVE. HEMET, CA 92545	
<b>B</b>	<b>W2S</b>
DWG SIZE	CODE SHEET   OF