



Chipsmall Limited consists of a professional team with an average of over 10 year of expertise in the distribution of electronic components. Based in Hongkong, we have already established firm and mutual-benefit business relationships with customers from,Europe,America and south Asia,supplying obsolete and hard-to-find components to meet their specific needs.

With the principle of “Quality Parts,Customers Priority,Honest Operation,and Considerate Service”,our business mainly focus on the distribution of electronic components. Line cards we deal with include Microchip,ALPS,ROHM,Xilinx,Pulse,ON,Everlight and Freescale. Main products comprise IC,Modules,Potentiometer,IC Socket,Relay,Connector.Our parts cover such applications as commercial,industrial, and automotives areas.

We are looking forward to setting up business relationship with you and hope to provide you with the best service and solution. Let us make a better world for our industry!



Contact us

Tel: +86-755-8981 8866 Fax: +86-755-8427 6832

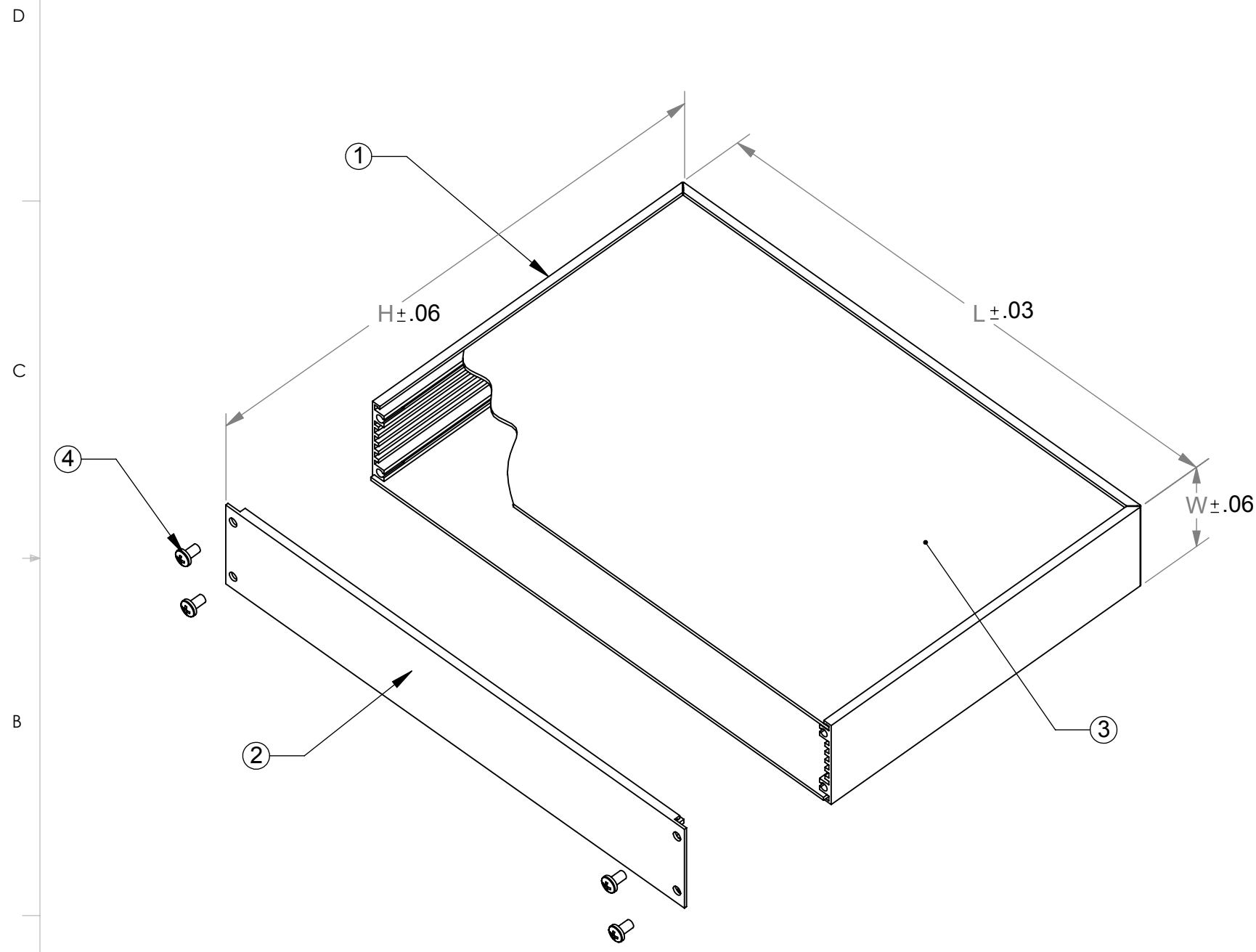
Email & Skype: info@chipsmall.com Web: www.chipsmall.com

Address: A1208, Overseas Decoration Building, #122 Zhenhua RD., Futian, Shenzhen, China



REVISIONS				
ZONE	REV.	DESCRIPTION	DATE	APPROVED
ALL		ENGINEERING RELEASE		

ITEM NO	PART NO	DESCRIPTION	DETAIL DWG REF.	QTY.
1	SEE TABLE FOR PART NO	FRAME ALUM.	M 3926-D5.2	1
2		BASE ALUM.	M 4906-D5.11	1
3		SIDECOVER ALUM.	M 4906-D5.5	2
4	HD51	HARDWARE KIT		1



CAT. NO. FINISH: CLEA R ANODIZED	W (WIDTH)	L (LENGTH)	H (HEIGHT)	FRAME P/N ITEM 1	BASE P/N ITEM 2	SIDE COVER P/N ITEM 3	CARD SIZE REF.
W10-23-38B	1.000	2.310	3.810	M3926-2-21	SR1-23-3B	PL 2338	2.20 x 3.70
W16-12-12B	1.600	1.210	1.210	M3926-2-13	SR16-12-3B	PL 1212	1.10 x 1.10
W16-28-46B		2.850	4.610	M3926-2-15	SR16-28-3B	PL 2846	2.73 x 4.50
W16-31-21B		3.100	2.110	M3926-2-17	SR16-31-3B	PL 2131	2.98 x 2.00
W16-31-31B		3.100	3.100	M3926-2-19	SR16-31-3B	PL 3131	2.98 x 2.98
W16-46-31B		4.610	3.100	M3926-2-67	SR16-46-3B	PL 3045	4.50 x 2.98
W20-15-15B	2.000	1.510	1.510	M3926-2-23	SR2-15-3B	PL 1515	1.40 x 1.40
W20-28-15B		2.850	1.510	M3926-2-25	SR2-28-3B	PL 1528	2.73 x 1.40
W20-28-46B		2.850	4.610	M3926-2-27	SR2-28-3B	PL 2846	2.73 x 4.50
W20-31-31B		3.100	3.100	M3926-2-29	SR2-31-3B	PL 3131	2.98 x 2.98
W20-31-42B		3.100	4.171	M3926-2-1	SR2-31-3B	PL 3142	2.98 x 4.06
W20-46-31B		4.610	3.100	M3926-2-31	SR2-46-3B	PL 3045	4.50 x 2.98
W20-46-46B		4.610	4.620	M3926-2-33	SR2-46-3B	PL 4646	4.50 x 4.50
W20-46-62B		4.610	6.171	M3926-2-3	SR2-46-3B	PL 4662	4.50 x 6.06
W20-46-66B		4.610	6.610	M3926-2-35	SR2-46-3B	PL 4565	4.50 x 6.50
W20-61-36B		6.110	3.610	M3926-2-37	SR2-61-3B	PL 3661	6.00 x 3.50
W20-66-46B	6.610	4.610	M3926-2-39	SR2-66-3B	PL 4565	6.50 x 4.50	
W30-46-46B	3.000	4.610	4.620	M3926-2-41	SR3-46-3B	PL 4646	4.50 x 4.50
W30-66-46B		6.610	4.610	M3926-2-43	SR3-66-3B	PL 4565	6.50 x 4.50
W30-86-45B		8.610	4.610	M3926-2-45	SR3-86-3B	PL 8646	8.50 x 4.50
W30-10-46B		10.000	4.610	M3926-2-47	SR3-10-3B	PL 10046	9.88 x 4.50
W30-10-66B		10.000	6.610	M3926-2-49	SR3-10-3B	PL 10066	9.88 x 6.50
W30-10-90B	10.000	8.000	M3926-2-63	SR3-10-3B	PL 10080		
W45-28-31B	4.500	2.850	2.110	M3926-2-51	SR45-28-3B	PL 2128	2.73 x 2.00
W45-46-21B		4.610	2.110	M3926-2-53	SR45-46-3B	PL 2146	4.40 x 2.00
W45-66-46B		6.610	4.610	M3926-2-55	SR45-66-3B	PL 4565	6.50 x 4.50
W45-86-46B		8.610	4.610	M3926-2-57	SR45-86-3B	PL 8646	8.50 x 4.50
W45-10-46B		10.000	4.610	M3926-2-59	SR45-10-3B	PL 10046	9.88 x 4.50
W45-10-66B		10.000	6.644	M3926-2-61	SR45-10-3B	PL 10066	9.88 x 6.50
53-0065	2.000	4.610	5.910	53-0065-02	53-0065-03	53-0065-01	
	1.600	9.307	6.346	M3926-2-20	SR16-93-3B		6U X 160mm

5. FOR OTHER THAN CLEAR ANOD. FINISH ADD COLOR CODE & FINISH LETTER TO CATALOG NO. AS REQ'D FOR S.E.S. 21
 4. FOR DUAL-TONED MULTI-MODS WITH BEZEL SEE DWG. M4906-D3.21 FOR SPEC. NOS. SEE DWG. MC4906-D3.10
 3. FOR SLIDING DOORS (SIDE COVERS) SEE DWG. M4906-D4.17
 2. CENTER TILT-UP BASE ON EXTR. BASE WITHIN .060 T.I.R.(DETAIL DWG. M4906-D5.22)
 1. FOUR BUMPFEEET TO BE SUPPLIED WITH EACH UNIT AS SHOWN
- NOTES : UNLESS OTHERWISE SPECIFIED

PROPRIETARY AND CONFIDENTIAL
 THE INFORMATION CONTAINED IN THIS DRAWING IS THE SOLE PROPERTY OF VECTOR ELECTRONICS & TECH., INC. ANY REPRODUCTION IN PART OR AS A WHOLE WITHOUT THE WRITTEN PERMISSION OF VECTOR ELECTRONICS & TECH., INC. IS PROHIBITED.

UNLESS OTHERWISE SPECIFIED:

DIMENSIONS ARE IN INCHES
 TOLERANCES:
 FRACTIONAL ±
 ANGULAR: ± 5°
 TWO PLACE DECIMAL ±.03
 THREE PLACE DECIMAL ±.010
 INTERPRET GEOMETRIC TOLERANCING PER:

MATERIAL
 FINISH
 DO NOT SCALE DRAWING

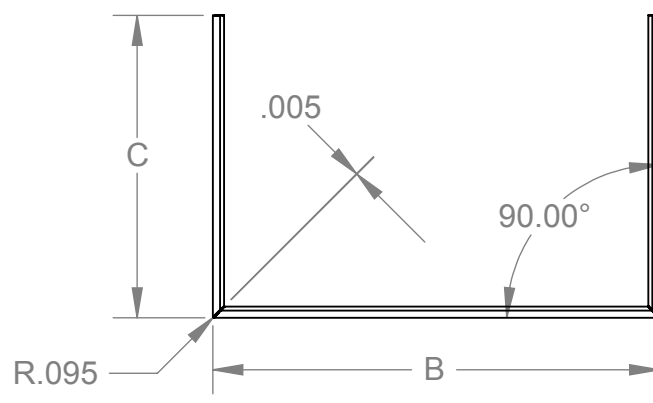
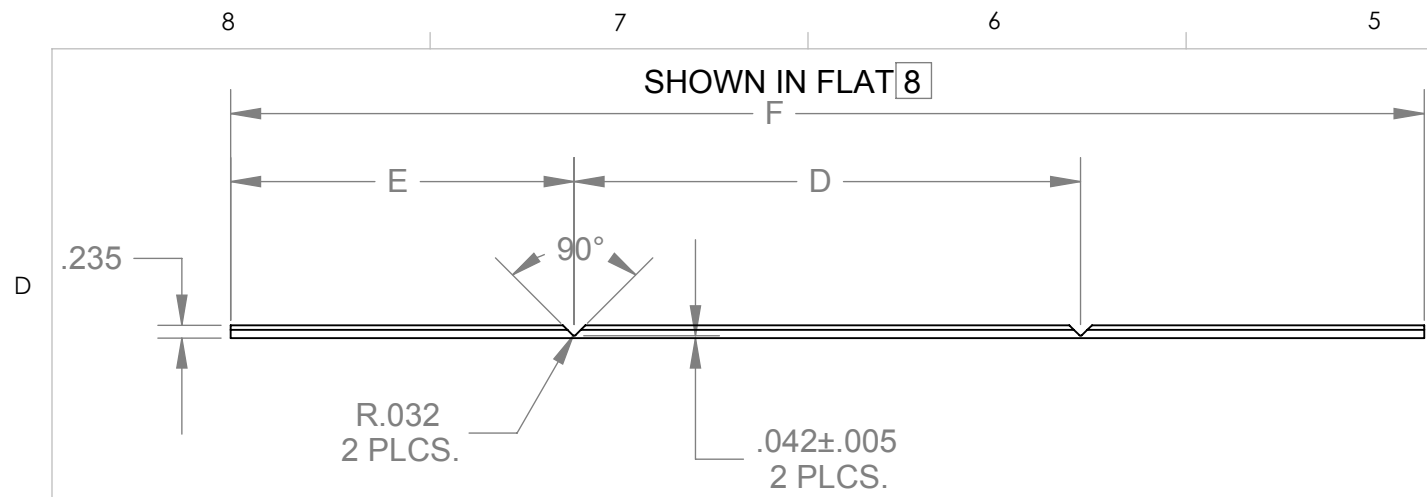
DRAWN TRUSHAR 11/04/08
 CHECKED
 ENG APPR.
 MFG APPR.
 Q.A.
 THIRD ANGLE PROJECTION

VECTOR 11115 VANOWEN ST., NORTH HOLLYWOOD, CA 91605
 ELECTRONICS & TECHNOLOGY, INC

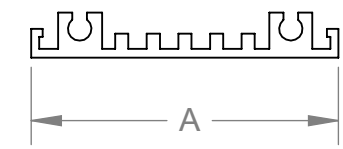
MULTI-MOD CASE ASSEMBLY
VECTOR STANDARD(W-B SERIES)

SIZE DWG. NO. **B M4906 D3.9** REV

SCALE: 1:4 WEIGHT: SHEET 1 OF 3



REVISIONS				
ZONE	REV.	DESCRIPTION	DATE	APPROVED
ALL		ENGINEERING RELEASE		



PART NO 8	MATERIAL	FINISH	A	B	C	D	E	F
M3926-2-1	SR2-062-0	4	2.000	3.100	4.125	3.025	4.087	11.199
M3926-2-2	SR2-062-0	4	2.000	3.100	8.600	3.025	8.562	20.149
M3926-2-3	SR2-062-0	4	2.000	4.610	6.125	4.535	6.087	16.709
M3926-2-4	SR2-062-0	4	2.000	4.610	8.600	4.535	8.562	21.659
M3926-2-5	SR16-062-0	4	1.600	3.100	4.125	3.025	4.087	11.199
M3926-2-6	SR16-062-0	4	1.600	4.610	6.125	4.535	6.087	16.709
M3926-2-7	SR2-062-0	N/A	2.000	3.100	4.125	3.025	4.087	11.199
M3926-2-8	SR2-062-0	N/A	2.000	3.100	8.600	3.025	8.562	20.149
M3926-2-9	SR2-062-0	N/A	2.000	4.610	6.125	4.535	6.087	16.709
M3926-2-10	SR2-062-0	N/A	2.000	4.610	8.600	4.535	8.562	21.659
M3926-2-11	SR16-062-0	N/A	1.600	3.100	4.125	3.025	4.087	11.199
M3926-2-12	SR16-062-0	N/A	1.600	4.610	6.125	4.535	6.087	16.709
M3926-2-13	SR16-062-0	4	1.600	1.210	1.164	1.135	1.126	3.387
M3926-2-14	SR16-062-0	N/A	1.600	1.210	1.164	1.135	1.126	3.387
M3926-2-15	SR16-062-0	4	1.600	2.850	4.564	2.775	4.526	11.827
M3926-2-16	SR16-062-0	N/A	1.600	2.850	4.564	2.775	4.526	11.827
M3926-2-17	SR16-062-0	4	1.600	3.100	2.064	3.025	2.026	7.077
M3926-2-18	SR16-062-0	N/A	1.600	3.100	2.064	3.025	2.026	7.077
M3926-2-19	SR16-062-0	4	1.600	3.100	3.054	3.025	3.016	9.057
M3926-2-20	SR16-062-0	N/A	1.600	3.100	3.054	3.025	3.016	9.057
M3926-2-21	SR1-062-0	4	1.000	2.310	3.764	2.235	3.726	9.687
M3926-2-22	SR1-062-0	N/A	1.000	2.310	3.764	2.235	3.726	9.687
M3926-2-23	SR2-062-0	4	2.000	1.510	1.464	1.435	1.426	4.287
M3926-2-24	SR2-062-0	N/A	2.000	1.510	1.464	1.435	1.426	4.287
M3926-2-25	SR2-062-0	4	2.000	2.850	1.464	2.775	1.426	5.627
M3926-2-26	SR2-062-0	N/A	2.000	2.850	1.464	2.775	1.426	5.627
M3926-2-27	SR2-062-0	4	2.000	2.850	4.564	2.775	4.526	11.827
M3926-2-28	SR2-062-0	N/A	2.000	2.850	4.564	2.775	4.526	11.827
M3926-2-29	SR2-062-0	4	2.000	3.100	3.054	3.025	3.016	9.057
M3926-2-30	SR2-062-0	N/A	2.000	3.100	3.054	3.025	3.016	9.057
M3926-2-31	SR2-062-0	4	2.000	4.610	3.054	4.535	3.016	10.567
M3926-2-32	SR2-062-0	N/A	2.000	4.610	3.054	4.535	3.016	10.567
M3926-2-33	SR2-062-0	4	2.000	4.610	4.574	4.535	4.536	13.607
M3926-2-34	SR2-062-0	N/A	2.000	4.610	4.574	4.535	4.536	13.607

PART NO 8	MATERIAL	FINISH	A	B	C	D	E	F
M3926-2-35	SR2-062-0	4	2.000	4.610	6.564	4.535	6.526	17.587
M3926-2-36	SR2-062-0	N/A	2.000	4.610	6.564	4.535	6.526	17.587
M3926-2-37	SR2-062-0	4	2.000	6.110	3.564	6.035	3.526	13.087
M3926-2-38	SR2-062-0	N/A	2.000	6.110	3.564	6.035	3.526	13.087
M3926-2-39	SR2-062-0	4	2.000	6.610	4.564	6.535	4.526	15.587
M3926-2-40	SR2-062-0	N/A	2.000	6.610	4.564	6.535	4.526	15.587
M3926-2-41	SR3-062-0	4	3.000	4.610	4.574	4.535	4.536	13.607
M3926-2-42	SR3-062-0	N/A	3.000	4.610	4.574	4.535	4.536	13.607
M3926-2-43	SR3-062-0	4	3.000	6.610	4.564	6.535	4.526	15.587
M3926-2-44	SR3-062-0	N/A	3.000	6.610	4.564	6.535	4.526	15.587
M3926-2-45	SR3-062-0	4	3.000	8.610	4.564	8.535	4.526	17.587
M3926-2-46	SR3-062-0	N/A	3.000	8.610	4.564	8.535	4.526	17.587
M3926-2-47	SR3-062-0	4	3.000	10.000	4.564	9.925	4.526	18.977
M3926-2-48	SR3-062-0	N/A	3.000	10.000	4.564	9.925	4.526	18.977
M3926-2-49	SR3-062-0	4	3.000	10.000	6.564	9.925	6.526	22.977
M3926-2-50	SR3-062-0	N/A	3.000	10.000	6.564	9.925	6.526	22.977
M3926-2-51	SR45-062-0	4	4.500	2.850	2.064	2.775	2.026	6.827
M3926-2-52	SR45-062-0	N/A	4.500	2.850	2.064	2.775	2.026	6.827
M3926-2-53	SR45-062-0	4	4.500	4.610	2.064	4.535	2.026	8.587
M3926-2-54	SR45-062-0	N/A	4.500	4.610	2.064	4.535	2.026	8.587
M3926-2-55	SR45-062-0	4	4.500	6.610	4.564	6.535	4.526	15.587
M3926-2-56	SR45-062-0	N/A	4.500	6.610	4.564	6.535	4.526	15.587
M3926-2-57	SR45-062-0	4	4.500	8.610	4.564	8.535	4.526	17.587
M3926-2-58	SR45-062-0	N/A	4.500	8.610	4.564	8.535	4.526	17.587
M3926-2-59	SR45-062-0	4	4.500	10.000	4.564	9.925	4.526	18.977
M3926-2-60	SR45-062-0	N/A	4.500	10.000	4.564	9.925	4.526	18.977
M3926-2-61	SR45-062-0	4	4.500	10.000	6.564	9.925	6.526	22.977
M3926-2-62	SR45-062-0	N/A	4.500	10.000	6.564	9.925	6.526	22.977
M3926-2-63	SR3-062-0	4	3.000	10.000	7.954	9.925	7.916	25.757
M3926-2-64	SR3-062-0	N/A	3.000	10.000	7.954	9.925	7.916	25.757
M3926-2-65	SR2-062-0	4	2.000	2.850	4.574	2.775	4.536	11.847
M3926-2-66	SR2-062-0	N/A	2.000	2.850	4.574	2.775	4.536	11.847
M3926-2-67	SR16-062-0	4	1.600	4.610	3.050	4.535	3.012	10.559
M3926-2-68	SR1-062-0	4	1.000	8.214	9.194	8.139	9.156	26.451

5. REF. INFORMATION

DIM. A = STD. MATL. WIDTH
 B = CASE LENGTH
 C = CASE HEIGHT - .046
 (CASE HEIGHT OF STYLE "B")
 D = B - .075
 E = C - .038
 F = 2E + D

8. PART NO. SHOWN ARE FOR "IN THE FLAT" CONDITION
 7. FLATNESS : .015"/FOOT IN LENGTH ; .004"/INCH IN WIDTH ; TWIST 1°/FOOT
 6. CUT ENDS TO BE SQUARE WITHIN .0025"/INCH IN WIDTH
 4. FINISH : ANOD., CLEAR, TYPE II, CLASS 1, IAW MIL-A-8625
 3. DEGREASE
 2. REMOVE ALL BURS & SHARP EDGES
 1. MAT'L : AL. EXTRUSION, P/N# : SEE TABLE
- NOTES : UNLESS OTHERWISE SPECIFIED

PROPRIETARY AND CONFIDENTIAL
 THE INFORMATION CONTAINED IN THIS DRAWING IS THE SOLE PROPERTY OF VECTOR ELECTRONICS & TECH., INC. ANY REPRODUCTION IN PART OR AS A WHOLE WITHOUT THE WRITTEN PERMISSION OF VECTOR ELECTRONICS & TECH., INC. IS PROHIBITED.

DIMENSIONS ARE IN INCHES
 TOLERANCES:
 FRACTIONAL ±
 ANGULAR: ±.5°
 TWO PLACE DECIMAL ±.03
 THREE PLACE DECIMAL ±.010
 INTERPRET GEOMETRIC TOLERANCING PER:
 MATERIAL **1**
 FINISH **4**
 DO NOT SCALE DRAWING

	NAME	DATE
DRAWN	TRUSHAR	07/22/08
CHECKED		
ENG APPR.		
MFG APPR.		
Q.A.		

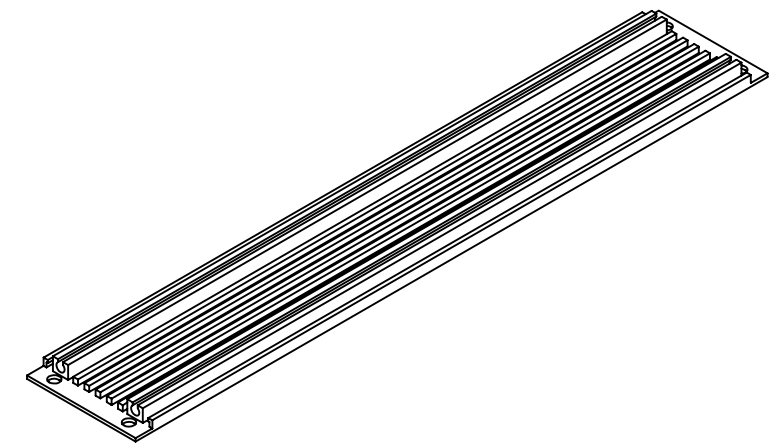
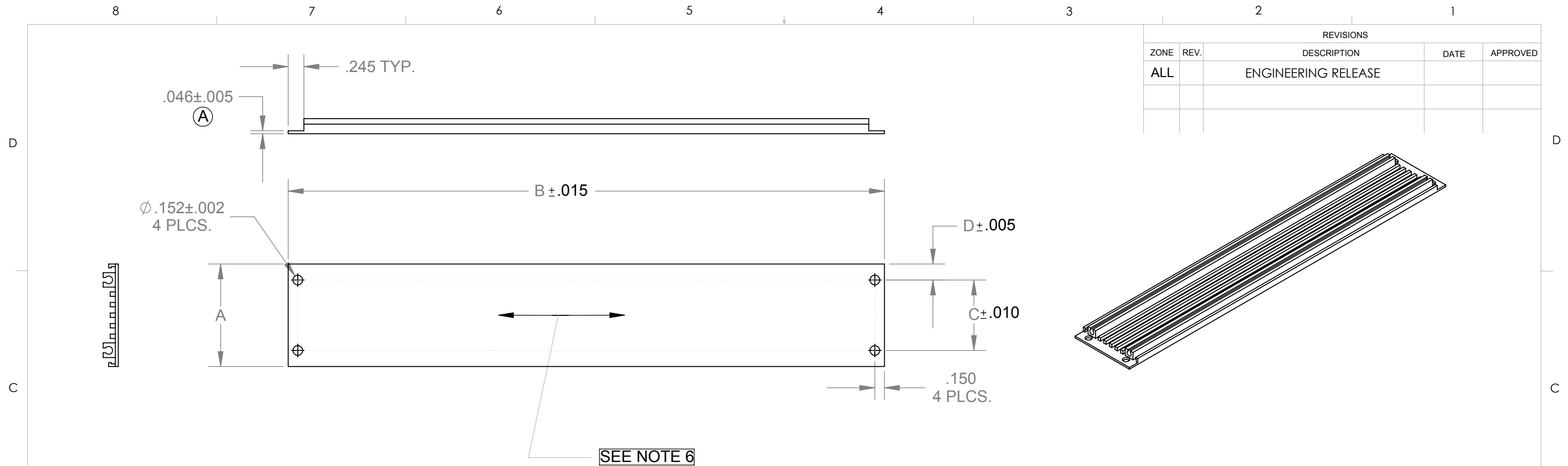
VECTOR 11115 VANOWEN ST., NORTH HOLLYWOOD, CA 91605
 ELECTRONICS & TECHNOLOGY, INC.

FRAME, EXTRUDED VECTORPAK & MULTI-MOD CASES

SIZE DWG. NO. **B M3926D5.2** REV **D**

SCALE: 1:4 WEIGHT: SHEET 2 OF 3

REVISIONS				
ZONE	REV.	DESCRIPTION	DATE	APPROVED
ALL		ENGINEERING RELEASE		



PART NO FINISH: CLEAR ANOD.	MATERIAL P/N NOTE 1	U/O CAT. NO. SER. NOTE 4	PART NO FINISH:NONE	A	B	C	D
SR1-23-3B	SR1-062	W10-23-38B	SR1-23-3B-0	1.000	2.310	0.546	0.227
SR16-12-3B	SR16-02	W16-12-12B	SR16-12-3B-0	1.600	1.210	1.100	0.250
SR16-28-3B	SR16-02	W16-28-46B	SR16-28-3B-0	1.600	2.850	1.100	0.250
SR16-31-3B	SR16-02	W16-31, -31B, -21B	SR16-31-3B-0	1.600	3.100	1.100	0.250
SR16-46-3B	SR16-02	W16-46-31B	SR16-46-3B-0	1.600	4.610	1.100	0.250
SR2-15-3B	SR2-062	W20-15-15B	SR2-15-3B-0	2.000	1.510	1.500	0.250
SR2-28-3B	SR2-062	W20-28, -46B, -15B	SR2-28-3B-0	2.000	2.850	1.500	0.250
SR2-31-3B	SR2-062	W20-31, -42B, -31B	SR2-31-3B-0	2.000	3.100	1.500	0.250
SR2-46-3B	SR2-062	W20-46-31B, -46B, -62B, -66B	SR2-46-3B-0	2.000	4.610	1.500	0.250
SR2-61-3B	SR2-062	W20-61-36B	SR2-61-3B-0	2.000	6.110	1.500	0.250
SR2-66-3B	SR2-062	W20-66-46B	SR2-66-3B-0	2.000	6.610	1.500	0.250
SR1-82-3B	SR1-062	51 x 3	SR1-82-3B-0	1.000	8.214	0.546	0.227
SR3-46-3B	SR3-062	W30-46-46B	SR3-46-3B-0	3.000	4.610	2.500	0.250
SR3-66-3B	SR3-062	W30-66-46B	SR3-66-3B-0	3.000	6.610	2.500	0.250
SR3-86-3B	SR3-062	W30-86-46B	SR3-86-3B-0	3.000	8.610	2.500	0.250
SR3-100-3B	SR3-062	W30-10-46B, -66B	SR3-100-3B-0	3.000	10.000	2.500	0.250
SR45-28-3B	SR45-062	W45-28-21B	SR45-28-3B-0	4.500	2.850	4.000	0.250
SR45-46-3B	SR45-062	W45-46-21B	SR45-46-3B-0	4.500	4.610	4.000	0.250
SR45-66-3B	SR45-062	W45-66-46B	SR45-66-3B-0	4.500	6.610	4.000	0.250
SR45-86-3B	SR45-062	W45-86-46B	SR45-86-3B-0	4.500	8.610	4.000	0.250
SR45-10-3B	SR45-062	W45-10-46B	SR45-10-3B-0	4.500	10.000	4.000	0.250
		U/O SPEC. 4091	M4906-11-1	1.600	5.000	1.100	0.250
		U/O SPEC. 4439	M4906-11-2	1.000	4.610	0.546	0.227

ALSO SEE CUST B/P (FINISH REF. : CLEAR IRID.)

6. THIS SURFACE TO BE POLISHED FOR GRAIN BEFORE PLATING
5. DIM A = STD. MAT'L WIDTH
B = CASE "U" - FRAME WIDTH
C = A - 2D
4. FOR ASS'Y SEE DWG. MC4906-D3.9
3. PART TO BE DECREASED AFTER FABRICATION
2. PARTS TO BE FREE OF EXCESSIVE BURS & SURFACE SCRATCHES
1. MAT'L: ALUM. EXTRUSION (6063-T5) DWG. M4211-C5.11
FOR MAT'L P/N SEE TABLE

NOTES: UNLESS OTHERWISE SPECIFIED.

UNLESS OTHERWISE SPECIFIED:	NAME	DATE
DIMENSIONS ARE IN INCHES	DRAWN	TRUSHAR
TOLERANCES:	CHECKED	
FRACTIONAL \pm	ENG APPR.	
ANGULAR: $\pm 5^\circ$	MFG APPR.	
TWO PLACE DECIMAL $\pm .03$	Q.A.	
THREE PLACE DECIMAL $\pm .010$		
INTERPRET GEOMETRIC TOLERANCING PER:		
MATERIAL 1	THIRD ANGLE PROJECTION	
FINISH <input type="checkbox"/>		
DO NOT SCALE DRAWING		

VECTOR 11115 VANOWEN ST., NORTH HOLLYWOOD, CA 91605
ELECTRONICS & TECHNOLOGY, INC.

BASE PLATE
SR.....-3B SER.

SIZE DWG. NO. **B M4906-D5.11** REV **B1**

SCALE: 1:2 WEIGHT: SHEET 3 OF 3

PROPRIETARY AND CONFIDENTIAL
THE INFORMATION CONTAINED IN THIS DRAWING IS THE SOLE PROPERTY OF VECTOR ELECTRONICS & TECH., INC. ANY REPRODUCTION IN PART OR AS A WHOLE WITHOUT THE WRITTEN PERMISSION OF VECTOR ELECTRONICS & TECH., INC. IS PROHIBITED.