



Chipsmall Limited consists of a professional team with an average of over 10 year of expertise in the distribution of electronic components. Based in Hongkong, we have already established firm and mutual-benefit business relationships with customers from,Europe,America and south Asia,supplying obsolete and hard-to-find components to meet their specific needs.

With the principle of “Quality Parts,Customers Priority,Honest Operation,and Considerate Service”,our business mainly focus on the distribution of electronic components. Line cards we deal with include Microchip,ALPS,ROHM,Xilinx,Pulse,ON,Everlight and Freescale. Main products comprise IC,Modules,Potentiometer,IC Socket,Relay,Connector.Our parts cover such applications as commercial,industrial, and automotives areas.

We are looking forward to setting up business relationship with you and hope to provide you with the best service and solution. Let us make a better world for our industry!



## Contact us

Tel: +86-755-8981 8866 Fax: +86-755-8427 6832

Email & Skype: info@chipsmall.com Web: www.chipsmall.com

Address: A1208, Overseas Decoration Building, #122 Zhenhua RD., Futian, Shenzhen, China



4

3

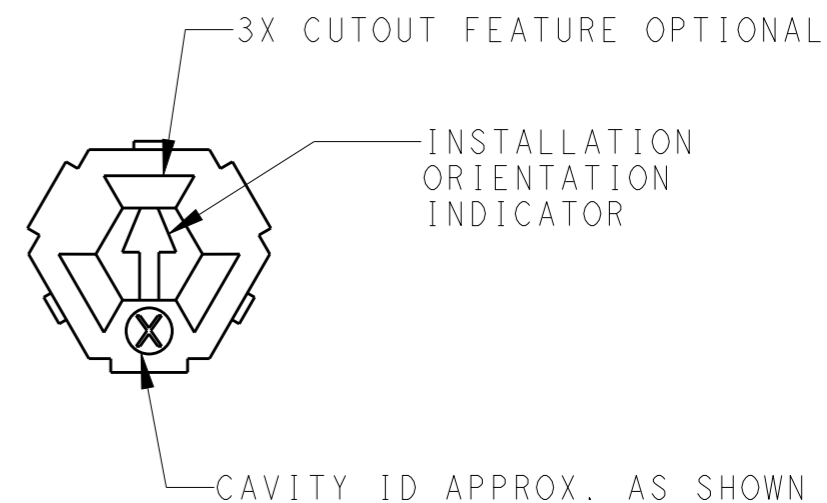
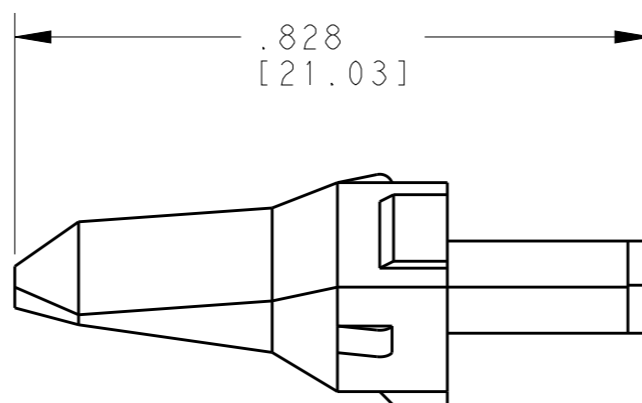
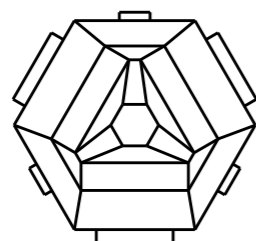
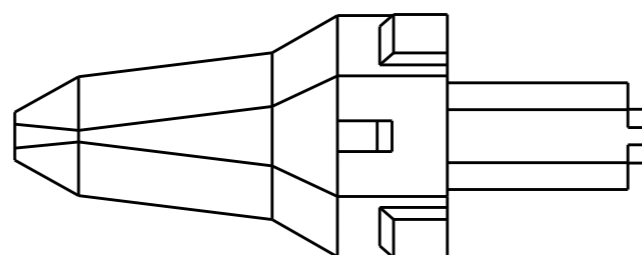
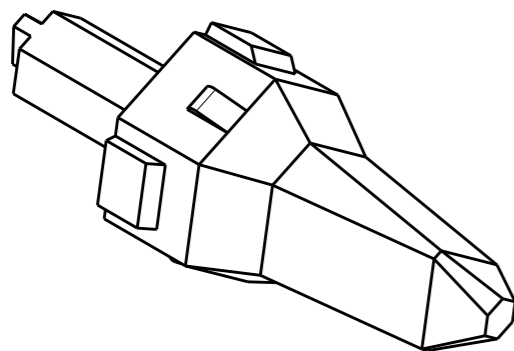
2

1

THIS DRAWING IS UNPUBLISHED RELEASED FOR PUBLICATION 2014

© COPYRIGHT 2014 BY -TE CONNECTIVITY ALL RIGHTS RESERVED.

LOC	DIST	REVISIONS			
P	LTR	DESCRIPTION	DATE	DWN	APVD
-	-	A	REVISED PER E.O A 12952	17MAR1993	- JA
		B	REVISED PER E.O PI5222	12FEB1997	- RDR
		C	REVISED PER E.O PI5887	15FEB1999	- RDR
		CI	REVISED PER E.O-15-000356	08JAN2015	PS DM



1. USED WITH DT04-3P-\*\*\*\*(\*\*\*\*= ALL MODIFICATIONS)  
 CONSULT FACTORY FOR MODIFICATION AND APPLICATION.

NOTES:

THIS DRAWING IS A CONTROLLED DOCUMENT.		DWN A. LEE	04FEB1999		
DIMENSIONS: INCHES [mm]		CHK S. THEIS	08FEB1999		
TOLERANCES UNLESS OTHERWISE SPECIFIED:		APVD S. THEIS	08FEB1999	NAME WEDGE LOCK 3 WAY RECEPTACLE DT SERIES	
0 PLC ±- 1 PLC ±- 2 PLC ±- 3 PLC ±0.20 [0.51] 4 PLC ±- ANGLES ±0°30'0"		PRODUCT SPEC -		SIZE A3	
MATERIAL PBT30%GF GREEN		APPLICATION SPEC -		CAGE CODE 4AFU8	DRAWING NO G-W3P
FINISH -		WEIGHT 0.53g		RESTRICTED TO -	
CUSTOMER DRAWING				SCALE 4:1	SHEET 1 OF 1
				REV C1	