



Chipsmall Limited consists of a professional team with an average of over 10 year of expertise in the distribution of electronic components. Based in Hongkong, we have already established firm and mutual-benefit business relationships with customers from,Europe,America and south Asia,supplying obsolete and hard-to-find components to meet their specific needs.

With the principle of “Quality Parts,Customers Priority,Honest Operation,and Considerate Service”,our business mainly focus on the distribution of electronic components. Line cards we deal with include Microchip,ALPS,ROHM,Xilinx,Pulse,ON,Everlight and Freescale. Main products comprise IC,Modules,Potentiometer,IC Socket,Relay,Connector.Our parts cover such applications as commercial,industrial, and automotives areas.

We are looking forward to setting up business relationship with you and hope to provide you with the best service and solution. Let us make a better world for our industry!



Contact us

Tel: +86-755-8981 8866 Fax: +86-755-8427 6832

Email & Skype: info@chipsmall.com Web: www.chipsmall.com

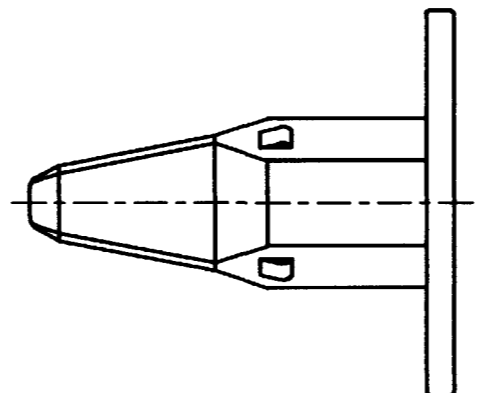
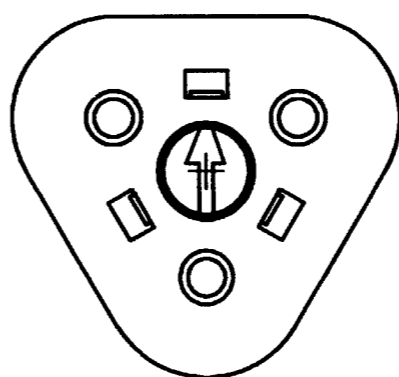
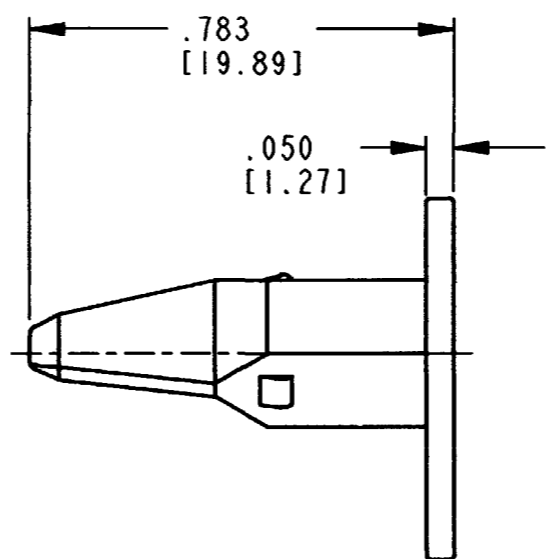
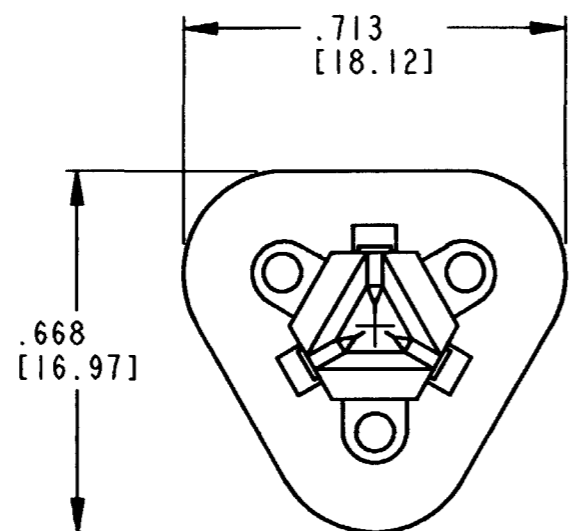
Address: A1208, Overseas Decoration Building, #122 Zhenhua RD., Futian, Shenzhen, China



REV
D

W3S

REVISIONS			
SYM	DESCRIPTION	DATE	APPROVED
A	REVISED AND REDRAWN PER E.O. A09309	4/25/90	J.A.
B	REVISED PER E.O. P15222	2-12-97	RDR
C	REVISED PER E.O. P17508	11-16-01	RDR
D	REVISED PER E.O. P19968	11-17-08	RDR



- 5. MATERIAL: PLASTIC; COLOR: ORANGE
- 4. W3S WEDGE USED WITH DT06-3S PLUG.
- 3. CONSULT FACTORY FOR APPLICATION.
- 2. DIMENSIONS ARE ±.025 [1.64] UNLESS OTHERWISE SPECIFIED.

NOTES: 1. ALL DIMENSIONS ARE IN INCHES [MILLIMETERS].

SIGNATURE & DATE	
DR	A. LEE 4FEB97
CHK	<i>[Signature]</i> 11/14/08
PE	<i>[Signature]</i> 11/22/08
APPD	<i>[Signature]</i> 11-13-08
SCALE	NONE WT

WEDGE LOCK
FOR
3 WAY PLUG
COLOR: ORANGE
DT SERIES

ENVELOPE

EP	MATL. CODE
3850 INDUSTRIAL AVE. HEMET, CA 92545	
B	W3S
DWG SIZE	CODE 11139 SHEET OF