



Chipsmall Limited consists of a professional team with an average of over 10 year of expertise in the distribution of electronic components. Based in Hongkong, we have already established firm and mutual-benefit business relationships with customers from,Europe,America and south Asia,supplying obsolete and hard-to-find components to meet their specific needs.

With the principle of “Quality Parts,Customers Priority,Honest Operation,and Considerate Service”,our business mainly focus on the distribution of electronic components. Line cards we deal with include Microchip,ALPS,ROHM,Xilinx,Pulse,ON,Everlight and Freescale. Main products comprise IC,Modules,Potentiometer,IC Socket,Relay,Connector.Our parts cover such applications as commercial,industrial, and automotives areas.

We are looking forward to setting up business relationship with you and hope to provide you with the best service and solution. Let us make a better world for our industry!



Contact us

Tel: +86-755-8981 8866 Fax: +86-755-8427 6832

Email & Skype: info@chipsmall.com Web: www.chipsmall.com

Address: A1208, Overseas Decoration Building, #122 Zhenhua RD., Futian, Shenzhen, China



4

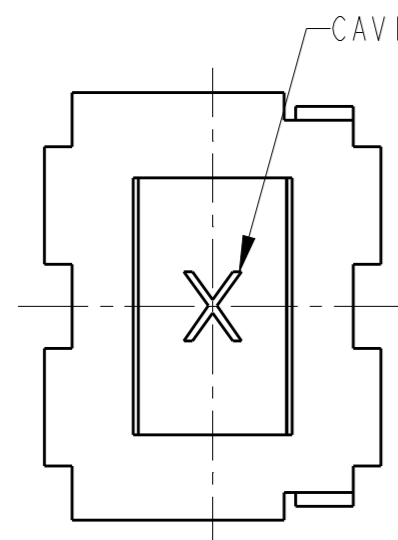
3

2

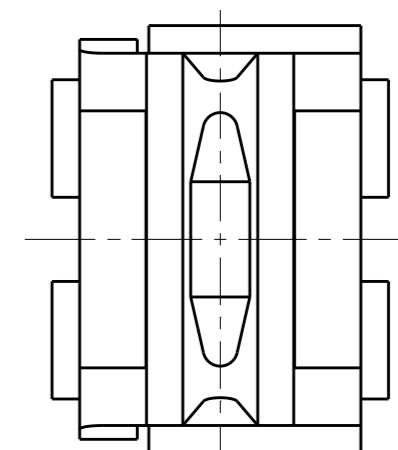
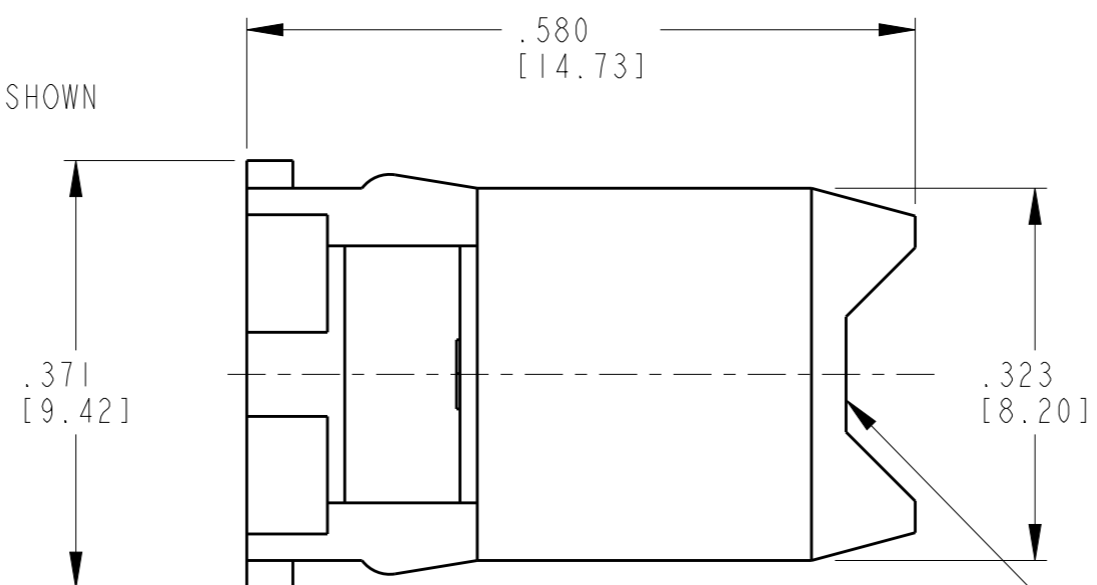
1

THIS DRAWING IS UNPUBLISHED. RELEASED FOR PUBLICATION 2014
© COPYRIGHT 2014 TE CONNECTIVITY ALL RIGHTS RESERVED.

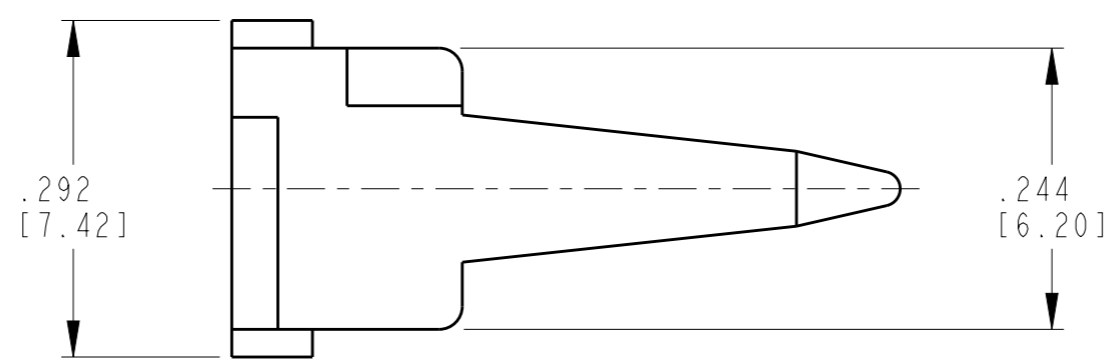
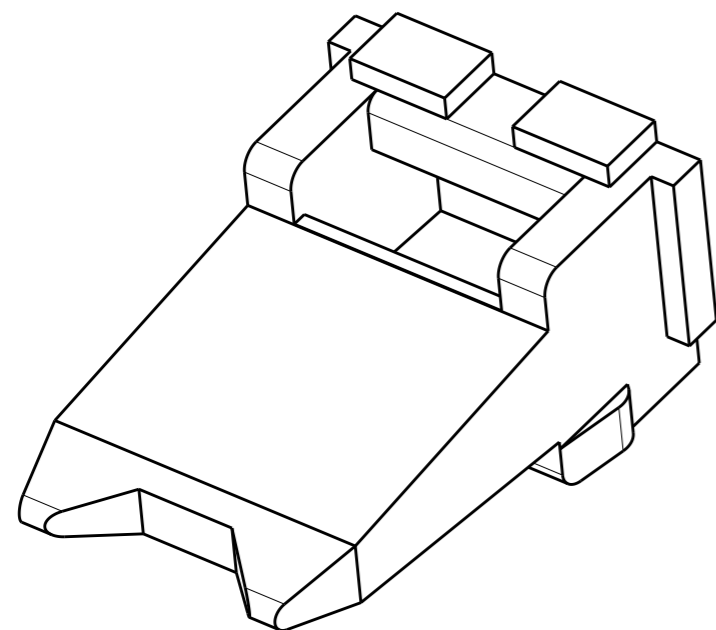
LOC	DIST	REVISIONS			
P	LTR	DESCRIPTION	DATE	DWN	APVD
-	-	NC	NEW RELEASE PER EO A09299	2/9/90	CW JA
		A	REVISED PER EO PI5887	2/15/99	ST RDR
		B	REVISED PER ECO-14-003390	3/26/14	RLM DM




CAVITY ID APPROX. AS SHOWN



CUTOUT FEATURE OPTIONAL



1. USED WITH DT04-4P-**** (**** = ALL MODIFICATIONS). CONSULT FACTORY FOR MODIFICATION AND APPLICATION.

THIS DRAWING IS A CONTROLLED DOCUMENT.		DWN R. MESSENGER 08 JAN 2014	 TE Connectivity	
DIMENSIONS: INCHES [mm]		CHK R. MESSENGER 09 JAN 2014		
TOLERANCES UNLESS OTHERWISE SPECIFIED:		APVD D. MEYER 20 FEB 2014	NAME WEDGE LOCK 4 WAY RECEPTACLE DT SERIES	
0 PLC ± 1 PLC ± 2 PLC ± 3 PLC ±0.010 [0.25] 4 PLC ± ANGLES ±0°30'0"		PRODUCT SPEC -	RESTRICTED TO -	
MATERIAL PLASTIC GREEN		FINISH -	APPLICATION SPEC -	SIZE A3
		WEIGHT 0.48 g	CAGE CODE 4AFU8	DRAWING NO C-W4P
		CUSTOMER DRAWING	SCALE 6:1	SHEET 1 OF 1
				REV B