



Chipsmall Limited consists of a professional team with an average of over 10 year of expertise in the distribution of electronic components. Based in Hongkong, we have already established firm and mutual-benefit business relationships with customers from,Europe,America and south Asia,supplying obsolete and hard-to-find components to meet their specific needs.

With the principle of “Quality Parts,Customers Priority,Honest Operation,and Considerate Service”,our business mainly focus on the distribution of electronic components. Line cards we deal with include Microchip,ALPS,ROHM,Xilinx,Pulse,ON,Everlight and Freescale. Main products comprise IC,Modules,Potentiometer,IC Socket,Relay,Connector.Our parts cover such applications as commercial,industrial, and automotives areas.

We are looking forward to setting up business relationship with you and hope to provide you with the best service and solution. Let us make a better world for our industry!



## Contact us

Tel: +86-755-8981 8866 Fax: +86-755-8427 6832

Email & Skype: info@chipsmall.com Web: www.chipsmall.com

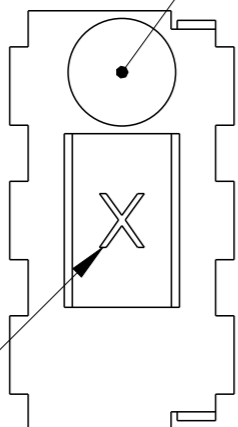
Address: A1208, Overseas Decoration Building, #122 Zhenhua RD., Futian, Shenzhen, China



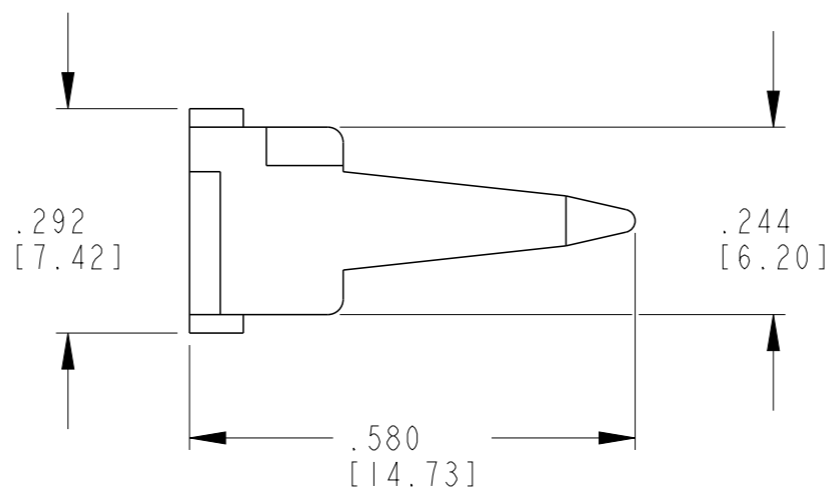
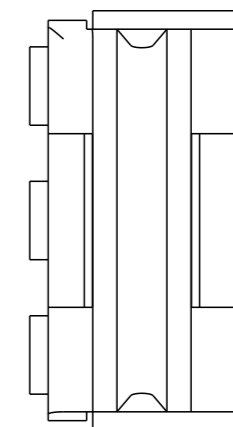
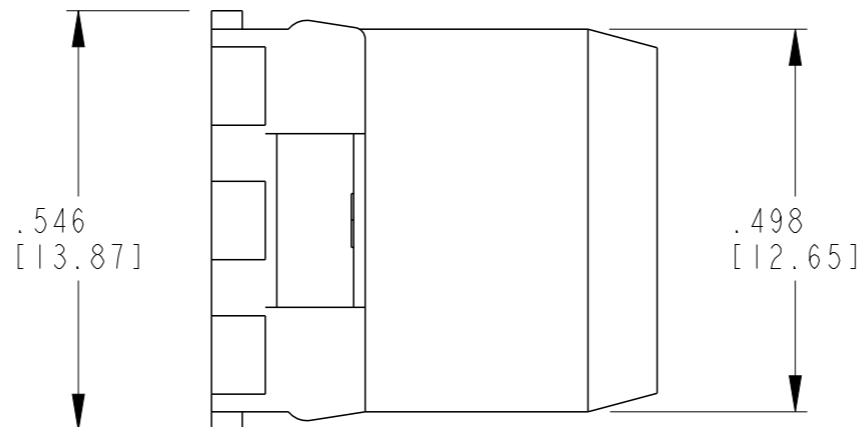
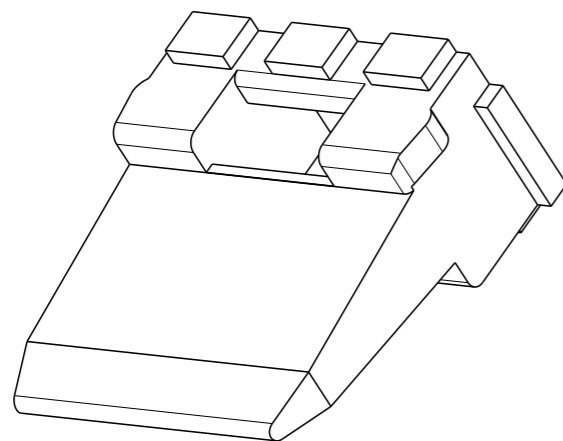
THIS DRAWING IS UNPUBLISHED. RELEASED FOR PUBLICATION 2013  
 © COPYRIGHT 2013 TE CONNECTIVITY ALL RIGHTS RESERVED.

LOC	DIST	REVISIONS					
		P	LTR	DESCRIPTION	DATE	DWN	APVD
-	-		A	REVISED PER EO PI5887	2-15-99	-	RDR
			B	REVISED PER EO P21310	4-26-12	RLM	RDR
			C	REVISED PER ECO-13-013634	8-26-13	RLM	DM
			CI	REVISED PER ECO-14-005288	4-9-14	PV	DM

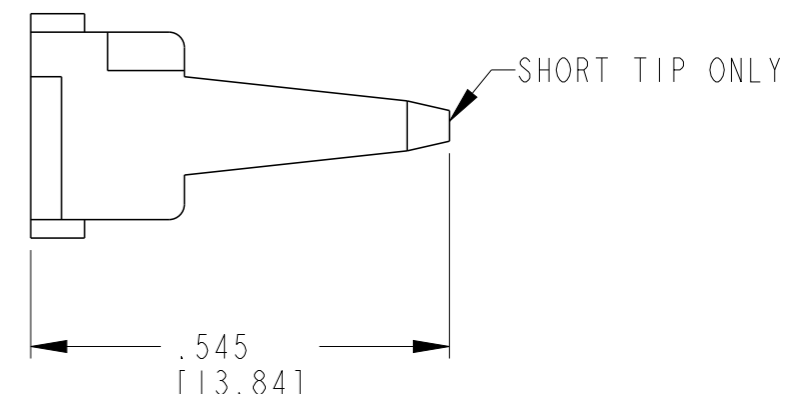
OPTIONAL GATE VESTIGE APPROX. AS SHOWN



CAVITY I.D. APPROX. AS SHOWN.



**OPTIONAL CONFIGURATION**



1. USED WITH DT04-6P-\*\*\*\* (\*\*\*\* = ALL MODIFICATIONS). CONSULT FACTORY FOR MODIFICATIONS AND APPLICATION.

THIS DRAWING IS A CONTROLLED DOCUMENT.		DWN 16AUG2013 R. MESSENGER		
DIMENSIONS: INCHES [mm]		CHK 28MAR2014 R. MESSENGER		
TOLERANCES UNLESS OTHERWISE SPECIFIED:		APVD 28MAR2014 D. MEYER	NAME WEDGE LOCK 6 WAY RECEPTACLE DT SERIES	
		PRODUCT SPEC	RESTRICTED TO	
0 PLC ±- 1 PLC ±- 2 PLC ±- 3 PLC ±0.010 [0.25] 4 PLC ±- ANGLES ±0°30'0"		APPLICATION SPEC	SIZE A3	CAGE CODE 4AFU8
MATERIAL PLASTIC GREEN	FINISH -	WEIGHT 0.84 g	DRAWING NO. C=W6P	SCALE 4:1
		CUSTOMER DRAWING	SHEET 1 OF 1	REV CI