



Chipsmall Limited consists of a professional team with an average of over 10 year of expertise in the distribution of electronic components. Based in Hongkong, we have already established firm and mutual-benefit business relationships with customers from,Europe,America and south Asia,supplying obsolete and hard-to-find components to meet their specific needs.

With the principle of “Quality Parts,Customers Priority,Honest Operation,and Considerate Service”,our business mainly focus on the distribution of electronic components. Line cards we deal with include Microchip,ALPS,ROHM,Xilinx,Pulse,ON,Everlight and Freescale. Main products comprise IC,Modules,Potentiometer,IC Socket,Relay,Connector.Our parts cover such applications as commercial,industrial, and automotives areas.

We are looking forward to setting up business relationship with you and hope to provide you with the best service and solution. Let us make a better world for our industry!



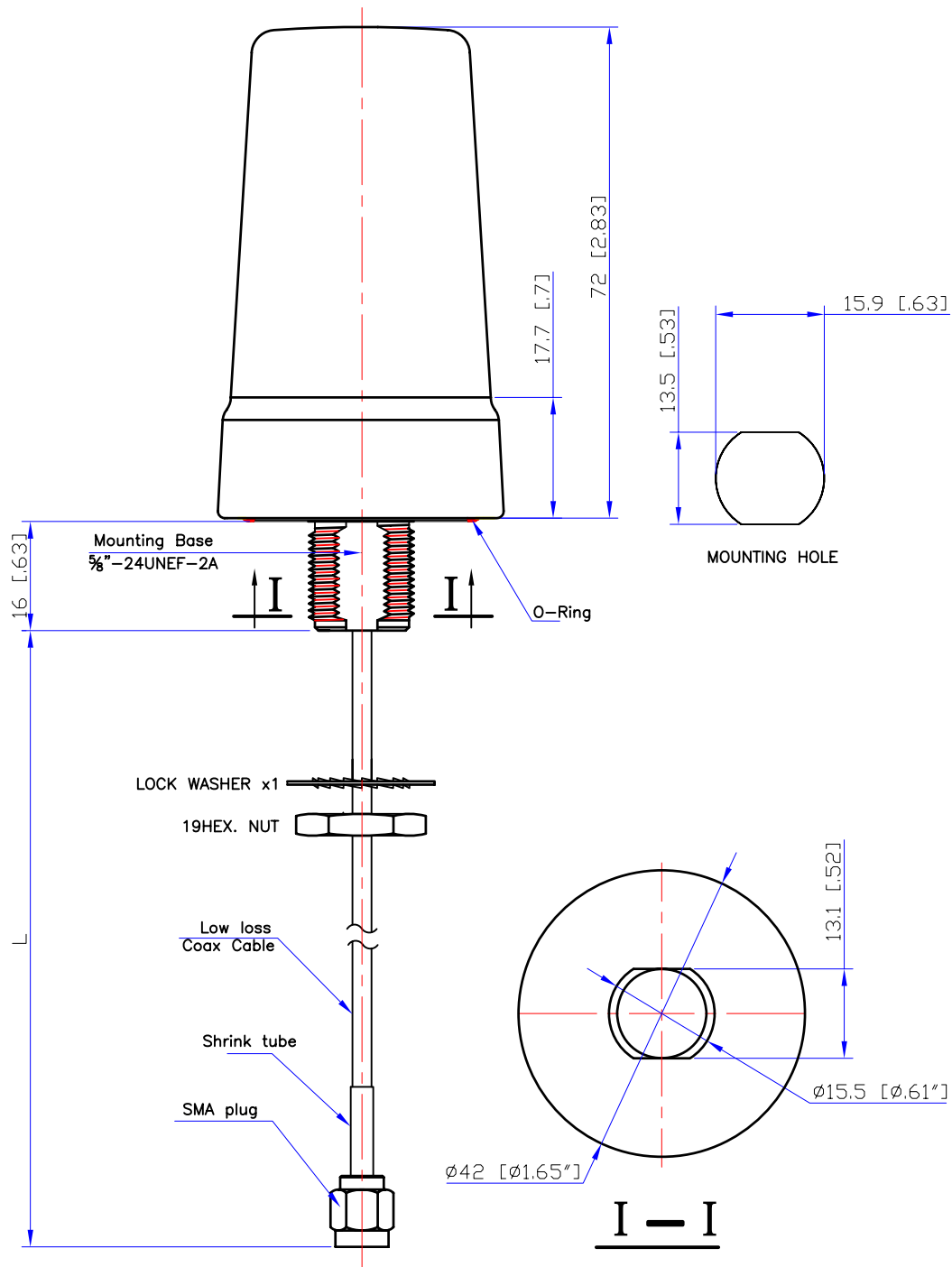
Contact us

Tel: +86-755-8981 8866 Fax: +86-755-8427 6832

Email & Skype: info@chipsmall.com Web: www.chipsmall.com

Address: A1208, Overseas Decoration Building, #122 Zhenhua RD., Futian, Shenzhen, China





Series Part Numbers

Connector Code -XX-	Description	P / N
AM	SMA Plug	W765FL-L-AM-AGDP
AH	SMA Plug Reverse Polarity	W765FL-L-AH-AGDP
MX	MCX Straight Plug	W765FL-L-MX-AGDP
MM	MMCX Straight Plug	W765FL-L-MM-AGDP
RMM	MMCX Right Angle Plug	W765FL-L-RMM-AGDP

Electrical Properties:

Frequency Range: 824~960 MHz/1710~1990 MHz
 Impedance: 50Ω nominal
 VSWR: <2.0:1
 Gain: 2 dBi
 Radiation: Omni
 Polarization: Vertical

Mechanical Properties:

Cable: Low loss cable J100
 Cable Length: L to be defined in inches
 Connector: XX to be specified by customer
 Material:
 Body: Polycarbonate(Black)
 Base: Brass with Nickel plating
 Operation Temp.: -20°C to +65°C
 Storage Temp.: -30°C to +75°C

This is a RoHS compliant product.

TITLE	Muti-Band External Antenna		Rev. Date	SHEET
	W765 Model		04/27/11	1 OF 1
UNIT	DWG. NO.	W765FL-L-XX-AGDP		
mm(In.)				
SCALE				
none		NEARSON		