



Chipsmall Limited consists of a professional team with an average of over 10 year of expertise in the distribution of electronic components. Based in Hongkong, we have already established firm and mutual-benefit business relationships with customers from,Europe,America and south Asia,supplying obsolete and hard-to-find components to meet their specific needs.

With the principle of “Quality Parts,Customers Priority,Honest Operation,and Considerate Service”,our business mainly focus on the distribution of electronic components. Line cards we deal with include Microchip,ALPS,ROHM,Xilinx,Pulse,ON,Everlight and Freescale. Main products comprise IC,Modules,Potentiometer,IC Socket,Relay,Connector.Our parts cover such applications as commercial,industrial, and automotives areas.

We are looking forward to setting up business relationship with you and hope to provide you with the best service and solution. Let us make a better world for our industry!



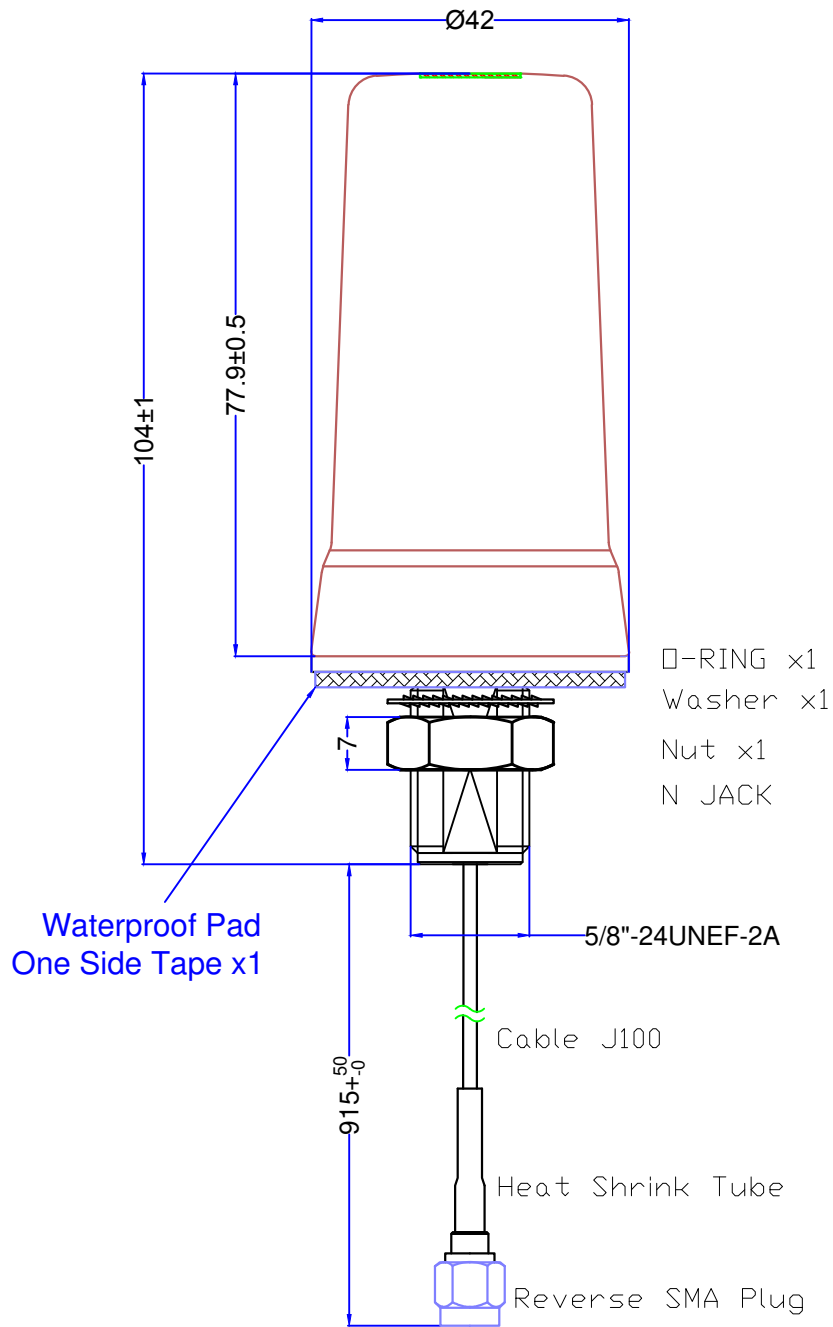
Contact us

Tel: +86-755-8981 8866 Fax: +86-755-8427 6832

Email & Skype: info@chipsmall.com Web: www.chipsmall.com

Address: A1208, Overseas Decoration Building, #122 Zhenhua RD., Futian, Shenzhen, China





Electrical Properties	
Frequency Range	698~960MHz 1710~2700MHz
Impedance	50Ω
V.S.W.R.	≤2.5
Radiation	Omni
Gain	2dBi
Polarization	Vertical
Wave Length, Type	Microstrip
Beam Width(+/-3dB)	60°@E-Plane 360°@H-Plane
Test Ground Size	φ350mm
Mechanical Properties	
Radome Material	PC
Connector Type	Reverse SMA Plug
IP Level	IP-65
Dimension	L=104mm
Weight	163g (est)
Operating Temp	-40°C ~ +85°C
Storage Temp	-40°C ~ +85°C

TITLE	LTE 4G Outdoor Antenna Flying Lead Type		Rev. Date	SHEET
			06/19/18	1 of 1
UNIT	DWG. NO.	W771FL2-36-AM		
in.(mm)				
SCALE				
none		NEARSON		