



Chipsmall Limited consists of a professional team with an average of over 10 year of expertise in the distribution of electronic components. Based in Hongkong, we have already established firm and mutual-benefit business relationships with customers from,Europe,America and south Asia,supplying obsolete and hard-to-find components to meet their specific needs.

With the principle of "Quality Parts,Customers Priority,Honest Operation,and Considerate Service",our business mainly focus on the distribution of electronic components. Line cards we deal with include Microchip,ALPS,ROHM,Xilinx,Pulse,ON,Everlight and Freescale. Main products comprise IC,Modules,Potentiometer,IC Socket,Relay,Connector.Our parts cover such applications as commercial,industrial, and automotives areas.

We are looking forward to setting up business relationship with you and hope to provide you with the best service and solution. Let us make a better world for our industry!



Contact us

Tel: +86-755-8981 8866 Fax: +86-755-8427 6832

Email & Skype: info@chipsmall.com Web: www.chipsmall.com

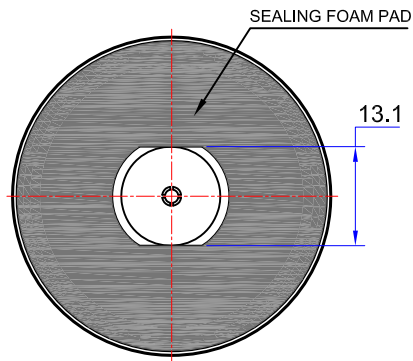
Address: A1208, Overseas Decoration Building, #122 Zhenhua RD., Futian, Shenzhen, China



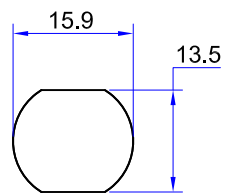
REVISIONS		
REV	ECN	DATE
--	--	---

NOTES

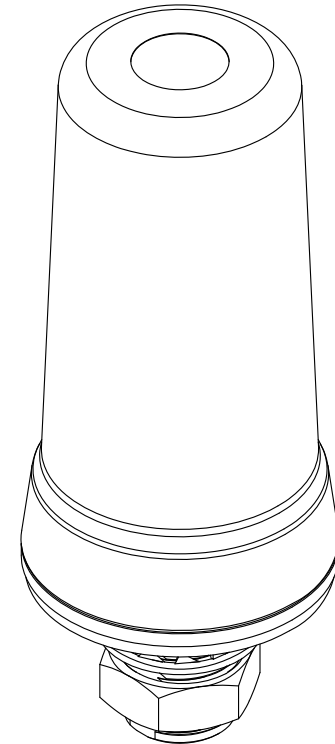
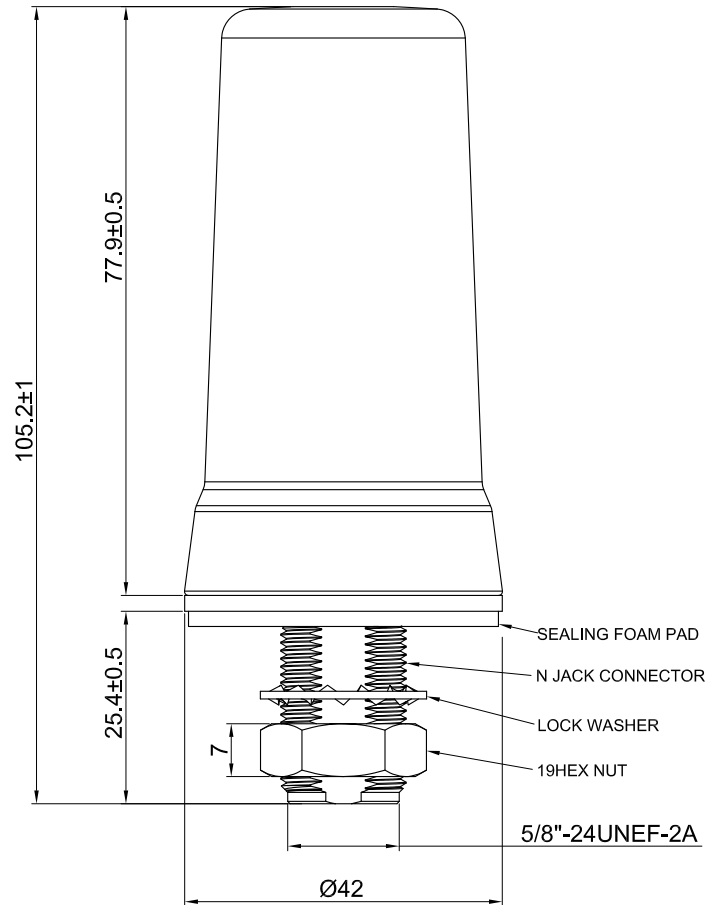
1. RADOME MATERIAL: XENYOY™ 1731
2. COLOR: BLACK.
3. FREQUENCY: 698-960/1710-2700 MHz
4. IMPEDANCE: 50Ω
5. VSWR: ≤2.2:1 @698-746 MHz
≤2.0:1 @746-960/1710-2700 MHz
6. RADIATION: OMNI
7. GAIN: 2dBi @698-960/1710-2170; 3dBi @2300-2700 MHz
8. POLARIZATION: VERTICAL
9. WEIGHT: 164g
10. OPERATING TEMPERATURE: -40°C~ + 85°C
11. THIS IS A RoHS COMPLIANT PRODUCT



BOTTOM VIEW



MOUNTING HOLE



TITLE	Multi-Band Low Profile Antenna 698-960/1710-2700MHz	Rev. Date	11/06/13	SHEET	1 OF 1
UNIT	DWG. NO.	W771N-LTE			
mm					
SCALE	NEARSON				
none					