



Chipsmall Limited consists of a professional team with an average of over 10 year of expertise in the distribution of electronic components. Based in Hongkong, we have already established firm and mutual-benefit business relationships with customers from,Europe,America and south Asia,supplying obsolete and hard-to-find components to meet their specific needs.

With the principle of “Quality Parts,Customers Priority,Honest Operation,and Considerate Service”,our business mainly focus on the distribution of electronic components. Line cards we deal with include Microchip,ALPS,ROHM,Xilinx,Pulse,ON,Everlight and Freescale. Main products comprise IC,Modules,Potentiometer,IC Socket,Relay,Connector.Our parts cover such applications as commercial,industrial, and automotives areas.

We are looking forward to setting up business relationship with you and hope to provide you with the best service and solution. Let us make a better world for our industry!



Contact us

Tel: +86-755-8981 8866 Fax: +86-755-8427 6832

Email & Skype: info@chipsmall.com Web: www.chipsmall.com

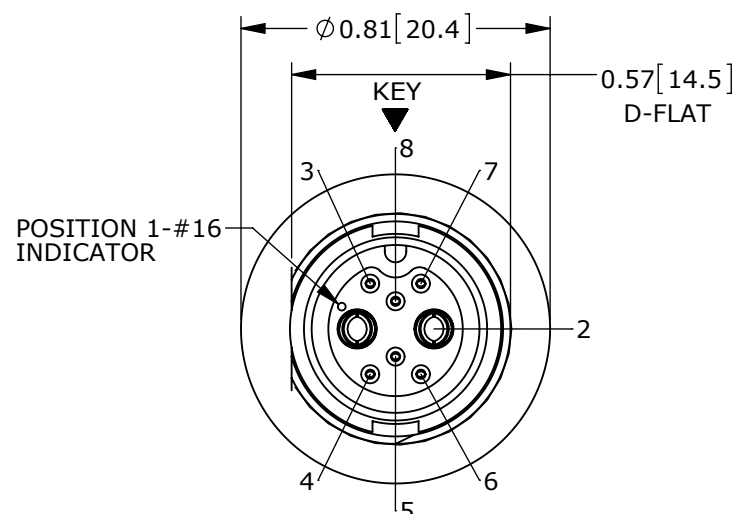
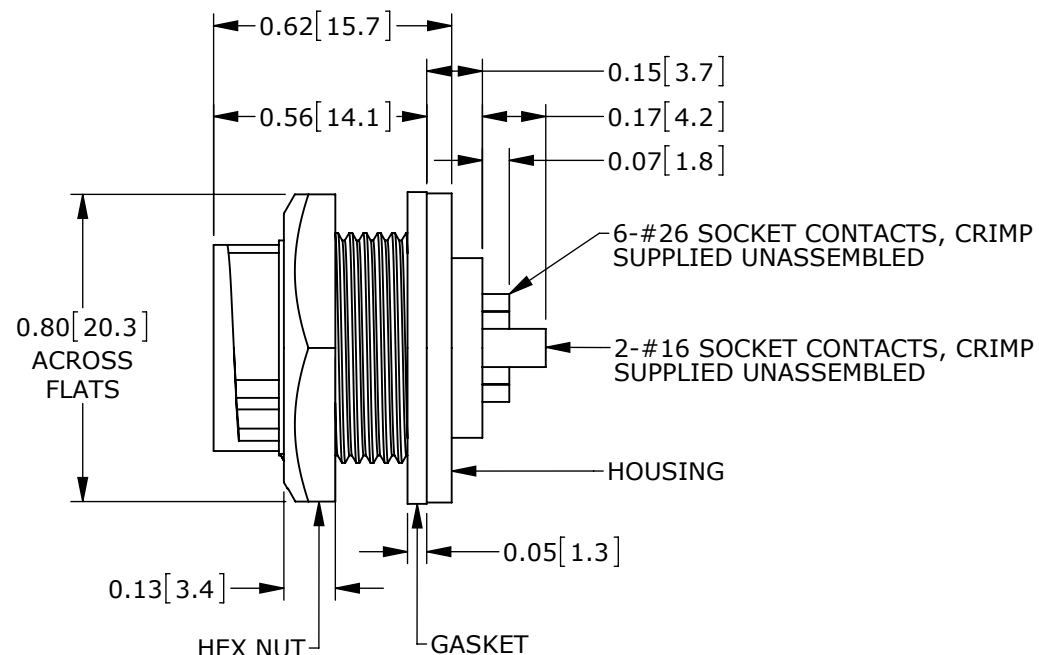
Address: A1208, Overseas Decoration Building, #122 Zhenhua RD., Futian, Shenzhen, China



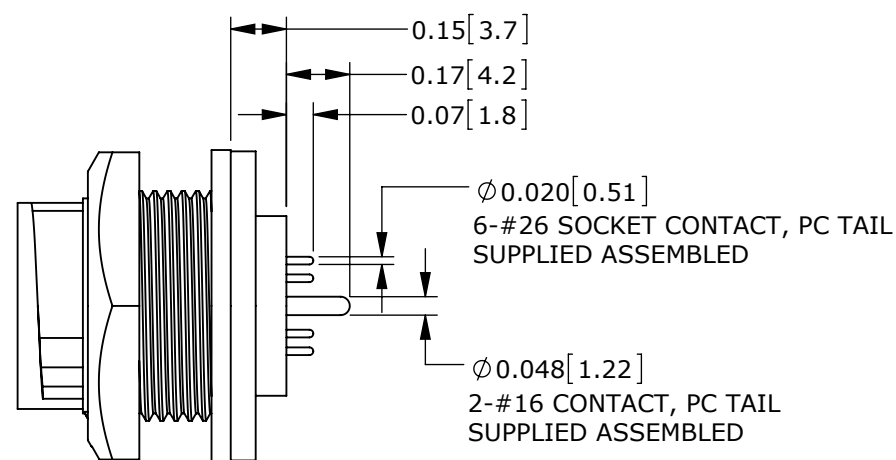
CUSTOMER PRINT

PART NUMBER: W7A8X-8SG-3XX_CD

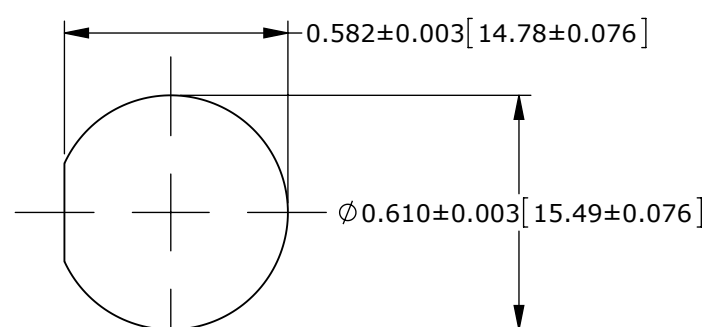
NOTES:
 1. ALL PARTS TO BE BULK PACKED.
 2. SEE DRAWING HPMIMIX FOR HOLE PATTERN.
 3. DIMENSIONS ARE FOR REFERENCE ONLY.



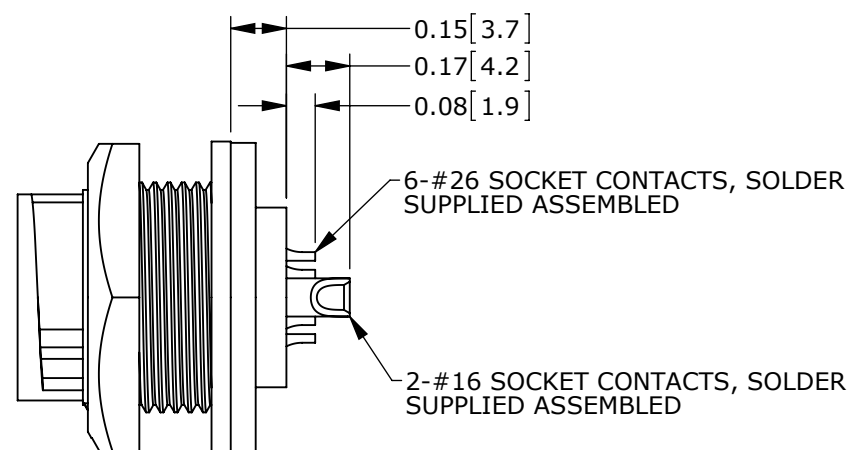
MATING FACE
 ASSY: W7A81-8SG-3ES SHOWN



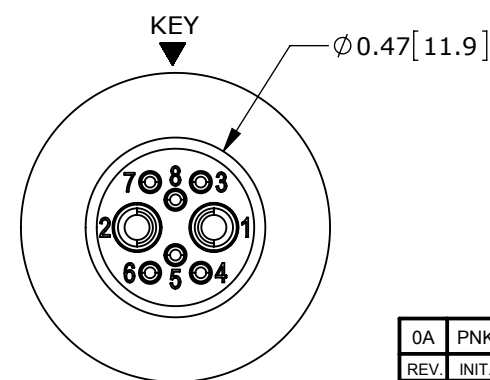
ASSEMBLED VIEW
 ASSY: W7A81-8SG-3ES SHOWN



RECOMMENDED PANEL CUTOUT

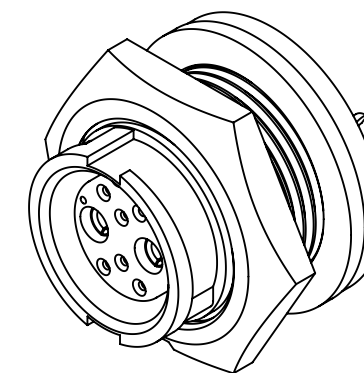


ASSEMBLED VIEW
 ASSY: W7A82-8SG-300 SHOWN



WIRING END
 ASSY: W7A82-8SG-300 SHOWN

CONNECTOR P/N	POSITIONS		CONTACT STYLE	EPOXY
	#16	#26		
W7A80-8SG-300	2	6	CRIMP	(NONE)
W7A81-8SG-300			PC TAIL	(NONE)
W7A81-8SG-3ES			PC TAIL	ES
W7A82-8SG-300			SOLDER	(NONE)
W7A82-8SG-3ES			SOLDER	ES



CUSTOMER APPROVAL

THIS DOCUMENT CONTAINS CONFIDENTIAL INFORMATION PROPRIETARY TO CONXALL CORPORATION. ANY REPRODUCTION, DISCLOSURE, OR USE OF THIS DOCUMENT /INFORMATION IS EXPRESSLY PROHIBITED UNLESS AUTHORIZED IN WRITING BY CONXALL CORPORATION.

APPROVED BY: _____
 DATE: _____

PRELIMINARY

RoHS COMPLIANT

0A	PNK	01/15/15	PDR 14001 PRELIMINARY	
REV.	INIT.	DATE	DESCRIPTION	
	PNK	01/15/15	ORIG. DRAWN BY: DATE: PDK 01/15/15	
ALL INFORMATION ILLUSTRATED IS THE PROPERTY OF CONXALL CORPORATION. UNAUTHORIZED DUPLICATION OR DISTRIBUTION OF THIS DOCUMENT IS PROHIBITED.			CHECKED BY:	
UNLESS OTHERWISE SPECIFIED TOLERANCES: 3 PLACE DECIMALS ±.005 ANGLES ±1° FRACTIONS ±1/16			APPROVED BY:	
SCALE	SIZE	SHEET	TITLE: PANEL-MOUNT CONNECTOR	
NTS	B	1 OF 1	2-16 + 6-26 SOCKET CONTACTS	
FILE:	DIRECTORY:	PART NUMBER:	MINI-CON-X POWER/SIGNAL	
W7A8X-8SG-3XX_CD	SLW	W7A8X-8SG-3XX	CUSTOMER: STANDARD PRODUCT	
- CRITICAL CHARACTERISTIC FLAG PER SPEC. XXXX		REV	0A	