



Chipsmall Limited consists of a professional team with an average of over 10 year of expertise in the distribution of electronic components. Based in Hongkong, we have already established firm and mutual-benefit business relationships with customers from,Europe,America and south Asia,supplying obsolete and hard-to-find components to meet their specific needs.

With the principle of “Quality Parts,Customers Priority,Honest Operation,and Considerate Service”,our business mainly focus on the distribution of electronic components. Line cards we deal with include Microchip,ALPS,ROHM,Xilinx,Pulse,ON,Everlight and Freescale. Main products comprise IC,Modules,Potentiometer,IC Socket,Relay,Connector.Our parts cover such applications as commercial,industrial, and automotives areas.

We are looking forward to setting up business relationship with you and hope to provide you with the best service and solution. Let us make a better world for our industry!



## Contact us

Tel: +86-755-8981 8866 Fax: +86-755-8427 6832

Email & Skype: info@chipsmall.com Web: www.chipsmall.com

Address: A1208, Overseas Decoration Building, #122 Zhenhua RD., Futian, Shenzhen, China

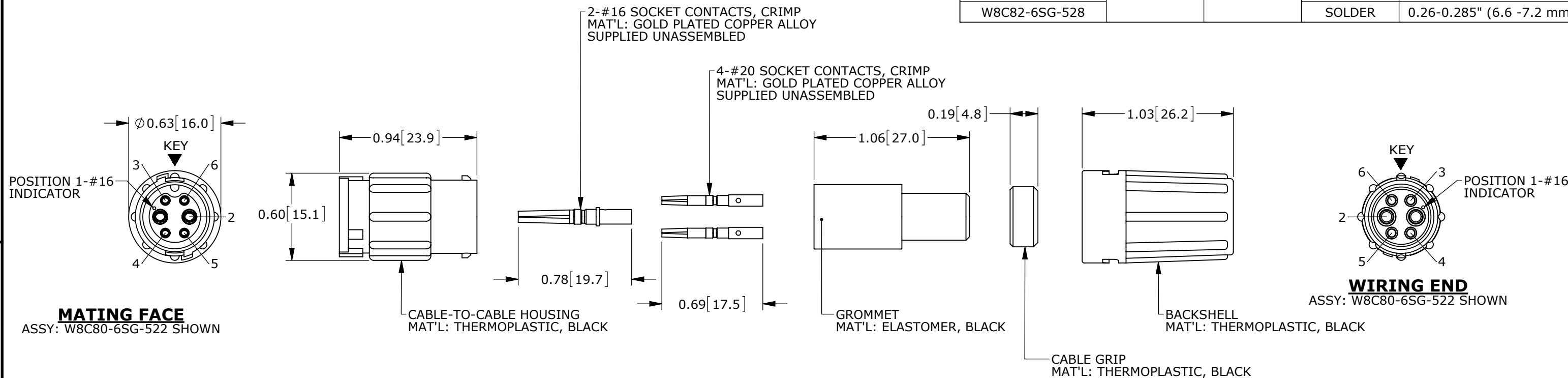


CUSTOMER PRINT

PART NUMBER: W8C8X-6SG-5XX\_CD

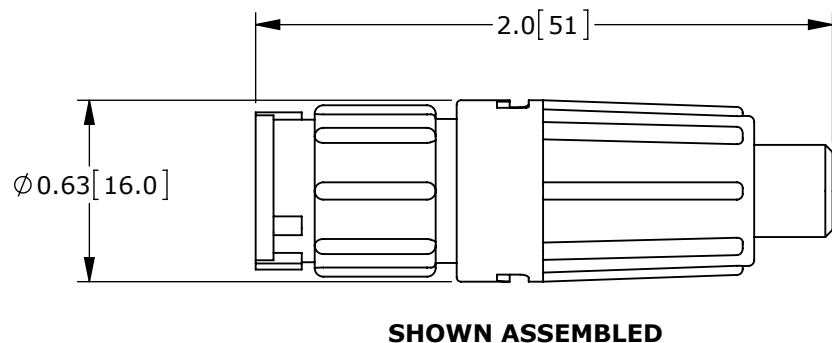
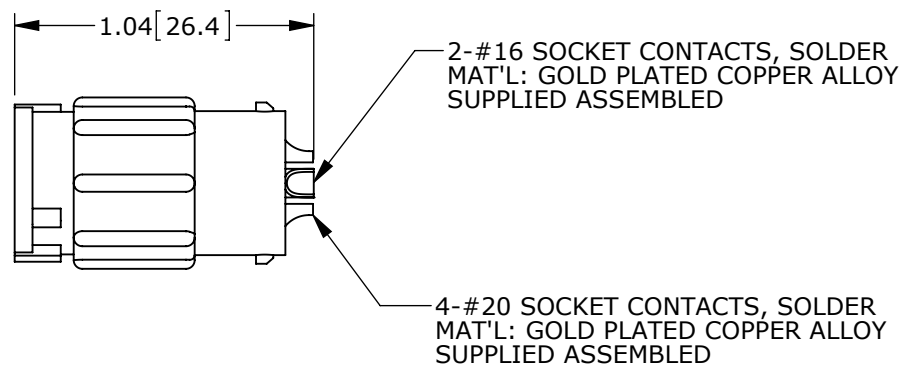
**NOTES:**  
 1. ALL PARTS TO BE BULK PACKED.  
 2. SEE DRAWING HPMIMIX FOR HOLE PATTERN.  
 3. DIMENSIONS ARE FOR REFERENCE ONLY.

CONNECTOR P/N	POSITIONS		CONTACT STYLE	CABLE O.D. RANGE
	#16	#20		
W8C80-6SG-513	2	4	CRIMP	0.13-0.15" (3.3 -3.8 mm)
W8C80-6SG-516			CRIMP	0.16-0.18" (4.1 -4.6 mm)
W8C80-6SG-519			CRIMP	0.19-0.21" (4.8 -5.3 mm)
W8C80-6SG-522			CRIMP	0.22-0.25" (5.6 -6.3 mm)
W8C80-6SG-528			CRIMP	0.26-0.285" (6.6 -7.2 mm)
W8C82-6SG-513			SOLDER	0.13-0.15" (3.3 -3.8 mm)
W8C82-6SG-516			SOLDER	0.16-0.18" (4.1 -4.6 mm)
W8C82-6SG-519			SOLDER	0.19-0.21" (4.8 -5.3 mm)
W8C82-6SG-522			SOLDER	0.22-0.25" (5.6 -6.3 mm)
W8C82-6SG-528			SOLDER	0.26-0.285" (6.6 -7.2 mm)



**MATING FACE**  
 ASSY: W8C80-6SG-522 SHOWN

**WIRING END**  
 ASSY: W8C80-6SG-522 SHOWN



**SHOWN ASSEMBLED**

**CUSTOMER APPROVAL**

THIS DOCUMENT CONTAINS CONFIDENTIAL INFORMATION PROPRIETARY TO CONXALL CORPORATION. ANY REPRODUCTION, DISCLOSURE, OR USE OF THIS DOCUMENT /INFORMATION IS EXPRESSLY PROHIBITED UNLESS AUTHORIZED IN WRITING BY CONXALL CORPORATION.

APPROVED BY: \_\_\_\_\_

DATE: \_\_\_\_\_

**PRELIMINARY**

**RoHS COMPLIANT**

0A	PNK	01-19-16	PDR 14001 PRELIMINARY
REV.	INIT.	DATE	DESCRIPTION
	PNK	01-19-16	
<small>ALL INFORMATION ILLUSTRATED IS THE PROPERTY OF CONXALL CORPORATION. UNAUTHORIZED DUPLICATION OR DISTRIBUTION OF THIS DOCUMENT IS PROHIBITED.</small>			<p>601 E. WILDWOOD VILLA PARK, IL 60181</p>
<small>ALL UNITS ARE IN FEET, INCHES, FRACTION OF INCHES AND DECIMALS. UNLESS OTHERWISE SPECIFIED TOLERANCES: 3 PLACE DECIMALS ±.005 ANGLES ±1° FRACTIONS ±1/16 - CRITICAL CHARACTERISTIC FLAG PER SPEC. XXXX</small>			
APPROVED BY:		SCALE: NTS	TITLE: CABLE-TO-CABLE CONNECTOR 2-16 + 4-20 SOCKET CONTACTS MINI-CON-X POWER/SIGNAL
CHECKED BY:		SIZE: B	CUSTOMER: STANDARD PRODUCT
FILE: W8C8X-6SG-5XX_CD		SHEET: 1 OF 1	PART NUMBER: W8C8X-6SG-5XX_CD
DIRECTORY: SLW		REV: 0A	