



Chipsmall Limited consists of a professional team with an average of over 10 year of expertise in the distribution of electronic components. Based in Hongkong, we have already established firm and mutual-benefit business relationships with customers from,Europe,America and south Asia,supplying obsolete and hard-to-find components to meet their specific needs.

With the principle of “Quality Parts,Customers Priority,Honest Operation,and Considerate Service”,our business mainly focus on the distribution of electronic components. Line cards we deal with include Microchip,ALPS,ROHM,Xilinx,Pulse,ON,Everlight and Freescale. Main products comprise IC,Modules,Potentiometer,IC Socket,Relay,Connector.Our parts cover such applications as commercial,industrial, and automotives areas.

We are looking forward to setting up business relationship with you and hope to provide you with the best service and solution. Let us make a better world for our industry!



Contact us

Tel: +86-755-8981 8866 Fax: +86-755-8427 6832

Email & Skype: info@chipsmall.com Web: www.chipsmall.com

Address: A1208, Overseas Decoration Building, #122 Zhenhua RD., Futian, Shenzhen, China



Cable Assembly for Wireless Application

Pulse Part Numbers: W9003, W9006M, W9009, W9011M, & W9063B170



Features

- Low Insertion Loss and low VSWR
- Various connector type
- Various cable length from 3 to 20 inch (76– 508 mm)

Pansize 20/bag; 500/carton

Dimensions: $\frac{\text{Inches}}{\text{mm}}$

Unless otherwise specified, all tolerances are $\pm \frac{0.10}{0.25}$

Pulse Finland Oy

Takatie 6
90440 Kempele, Finland
Tel: +358 207 935 500
Fax: +358 207 935 501
www.pulseeng.com/antennas

Cable Assembly for Wireless Application

Pulse Part Numbers: W9003, W9006M, W9009, W9011M, & W9063B170

Electrical Specification @ +25°C

Note: This part number is lead-free and RoHS compliant. No additional suffix or identifier is required.

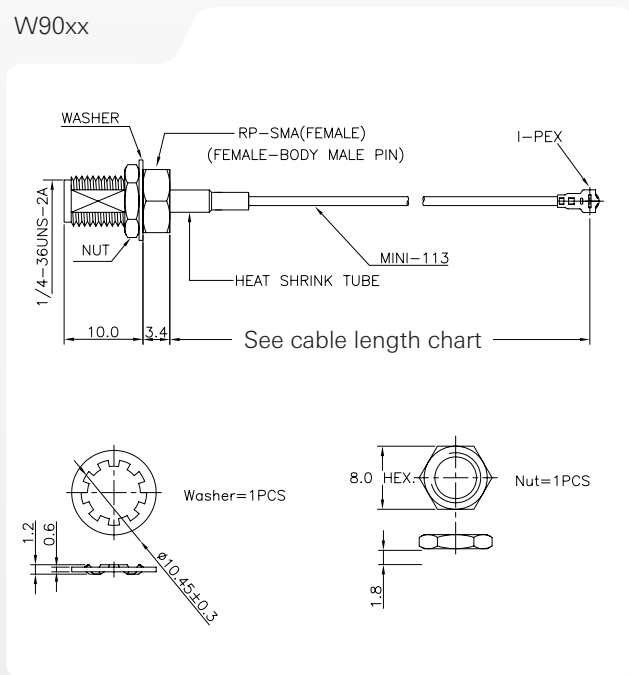
Part Number	VSWR 2.4GHz/6GHz	Insertion Loss 2.4GHz/6GHz	Cable Length (in/mm)	Connector Types
W9003	1.2/1.3	0.4dB/0.8dB	3/76	R-SMA Female to I-PEX
W9003M	1.2/1.3	0.4dB/0.8dB	3/76	SMA Female to I-PEX
W9006	1.1/1.3	0.6dB/1.1dB	6/150	R-SMA Female to I-PEX
W9006M	1.1/1.3	0.6dB/1.1dB	6/150	SMA Female to I-PEX
W9009	1.2/1.4	0.8dB/1.4dB	9/229	R-SMA Female to I-PEX
W9009M	1.2/1.4	0.8dB/1.4dB	9/229	SMA Female to I-PEX
W9011	1.2/1.2	0.9dB/1.8dB	11/280	R-SMA Female to I-PEX
W9011M	1.2/1.2	0.9dB/1.8dB	11/280	SMA Female to I-PEX
W9015	1.3/1.4	1.0db/1.9db	15/381	R-SMA Female to I-PEX
W9015M	1.3/1.4	1.0dB/1.9dB	15/381	SMA Female to I-PEX
W9020	1.3/1.5	1.1dB/2.0dB	20/508	R-SMA Female to I-PEX
W9020M	1.3/1.5	1.1dB/2.0dB	20/508	SMA Female to I-PEX
W9063B170	1.1/1.9	1.3dB/2.4dB	17/431	I-PEX to R-TNC Female

Cable Assembly for Wireless Application

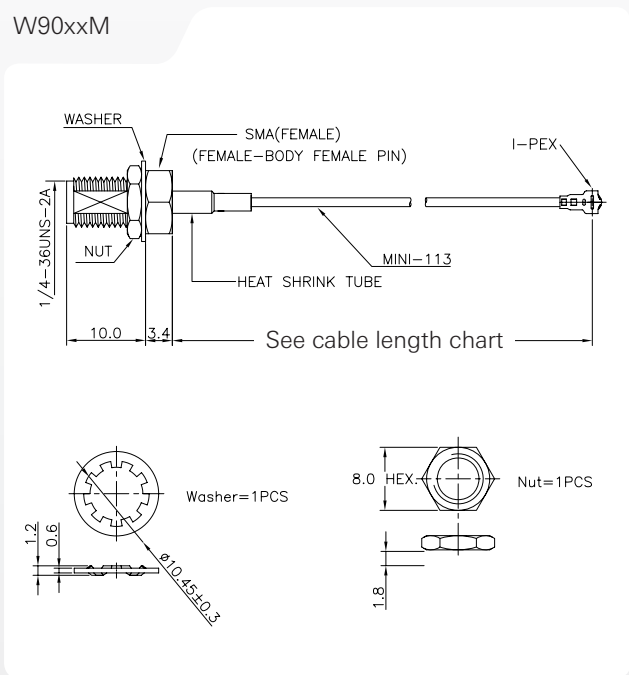
Pulse Part Numbers: W9003, W9006M, W9009, W9011M, & W9063B170

Mechanical Dimensions

W90xx



W90xxM



Part Number	inch/mm
W9003	3/76
W9006	6/150
W9009	9/229
W9011	11/280
W9015	15/381
W9020	20/508

Part Number	inch/mm
W9003M	3/76
W9006M	6/150
W9009M	9/229
W9011M	11/280
W9015M	15/381
W9020M	20/508

Pulse Finland Oy

Takatie 6
 90440 Kempele, Finland
 Tel: +358 207 935 500
 Fax: +358 207 935 501
www.pulseeng.com/antennas

Cable Assembly for Wireless Application

Pulse Part Numbers: W9003, W9006M, W9009, W9011M, & W9063B170

Mechanical Dimensions

W9063B170

