



Chipsmall Limited consists of a professional team with an average of over 10 year of expertise in the distribution of electronic components. Based in Hongkong, we have already established firm and mutual-benefit business relationships with customers from,Europe,America and south Asia,supplying obsolete and hard-to-find components to meet their specific needs.

With the principle of “Quality Parts,Customers Priority,Honest Operation,and Considerate Service”,our business mainly focus on the distribution of electronic components. Line cards we deal with include Microchip,ALPS,ROHM,Xilinx,Pulse,ON,Everlight and Freescale. Main products comprise IC,Modules,Potentiometer,IC Socket,Relay,Connector.Our parts cover such applications as commercial,industrial, and automotives areas.

We are looking forward to setting up business relationship with you and hope to provide you with the best service and solution. Let us make a better world for our industry!



## Contact us

Tel: +86-755-8981 8866 Fax: +86-755-8427 6832

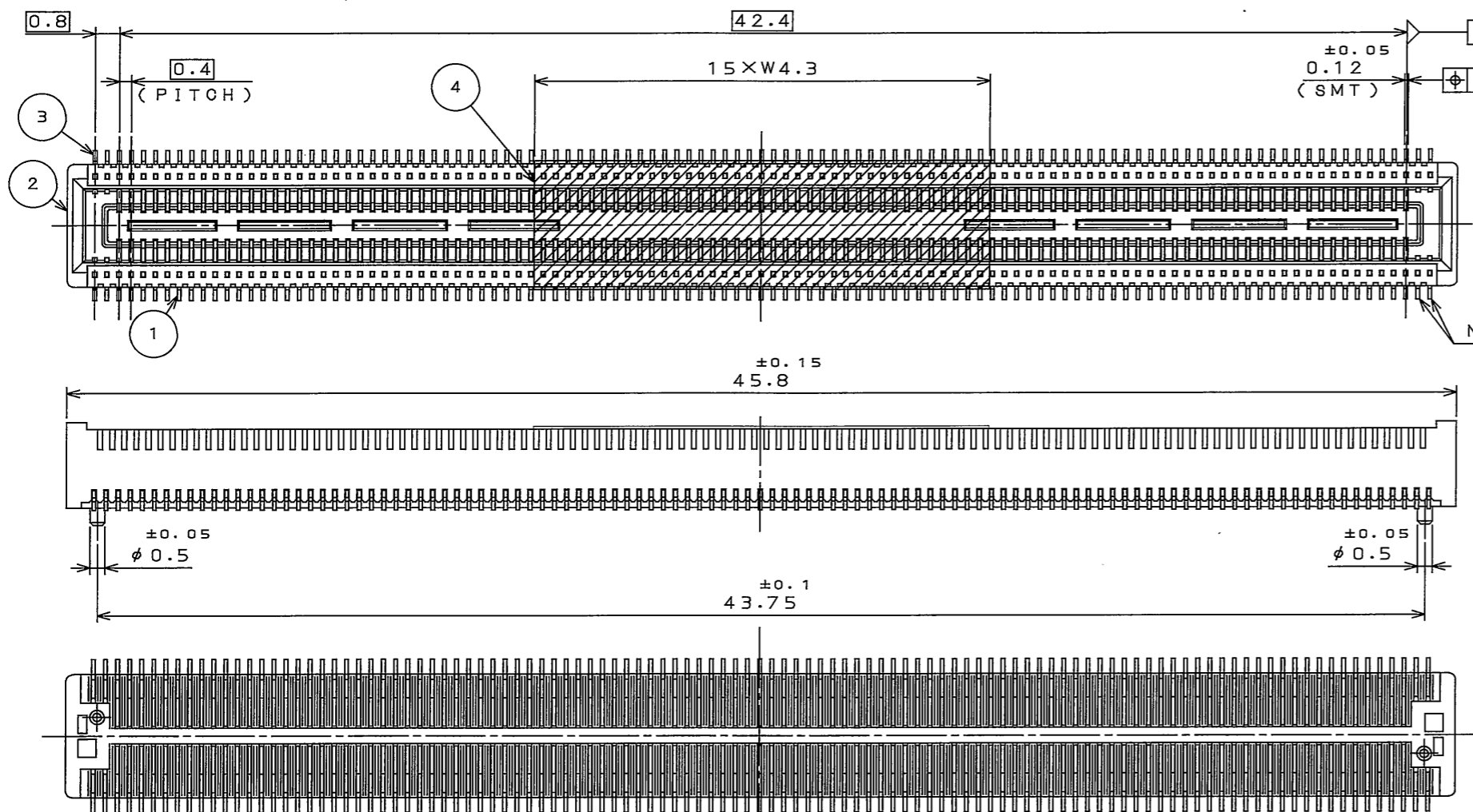
Email & Skype: info@chipsmall.com Web: www.chipsmall.com

Address: A1208, Overseas Decoration Building, #122 Zhenhua RD., Futian, Shenzhen, China

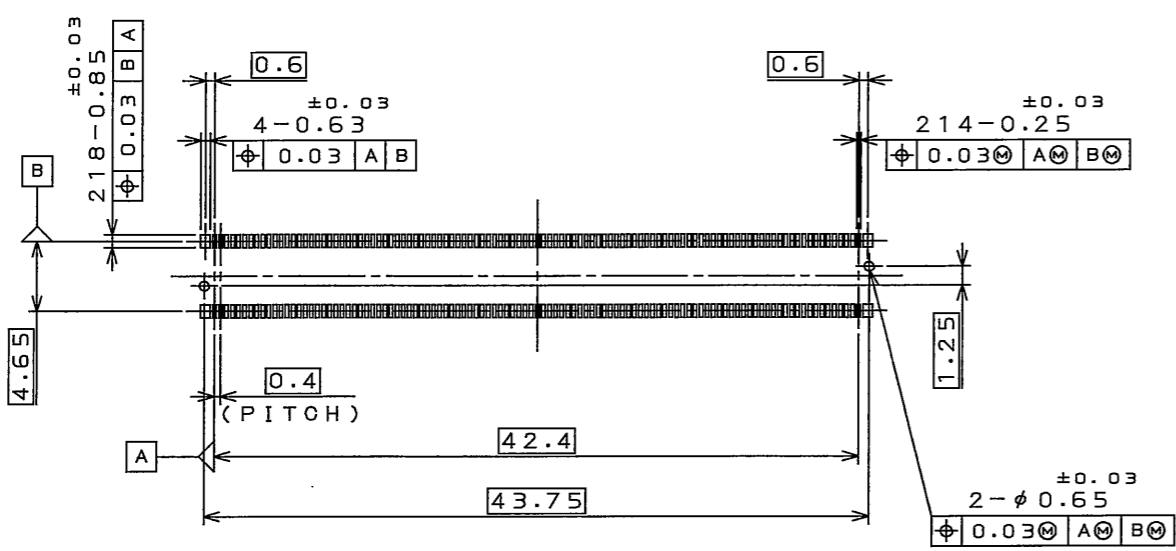
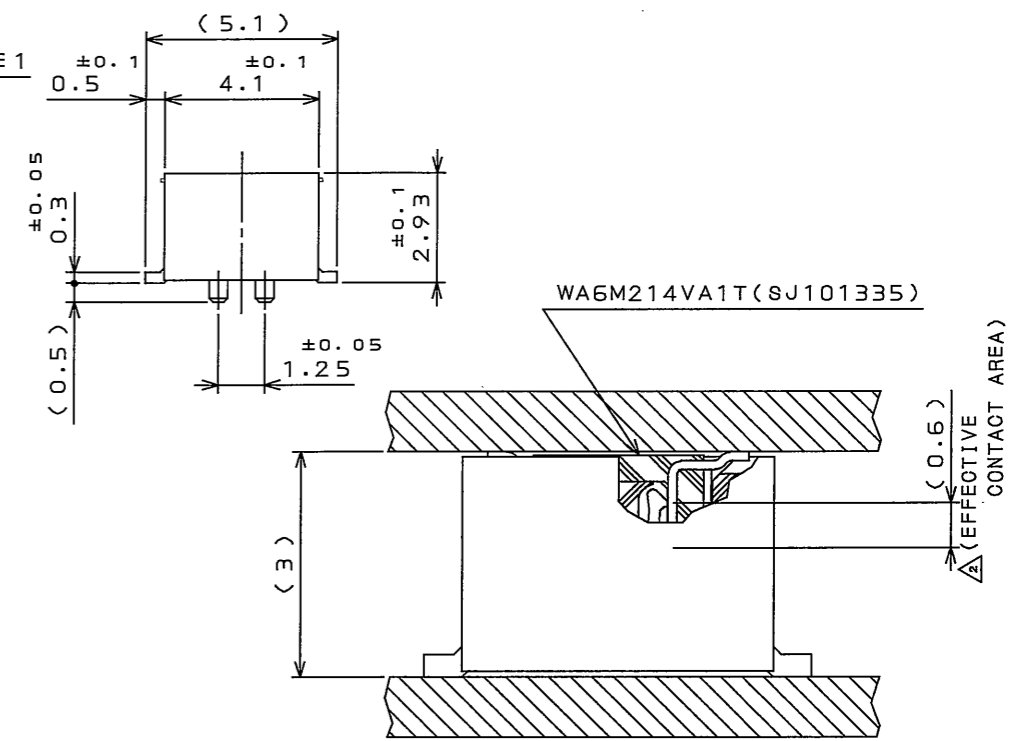


ZEEL01RS  
(ON ENIMVHD) 台架図

版数 REV.	年月日 DATE	DCN NO.	変更内容 DESCRIPTION	製図 DR.	担当 CHK.	査閲 APPD.	承認 APPD.
2	20.06.2004	056445	CORRECT AN ERROR		H.OBIKANE	Y.YAHIRO	K.Hizatsugu



NOTE1. NOT FOR ELECTRICAL CONNECTION (8 CONTACTS)  
NOTE2. COPLANALITY OF SMT TERMINAL IS 0.1 MAX.  
注1. 四隅のコンタクト(8本)は半田付けにのみ使用する。(電気的接続不可)  
注2. コンタクトのコプラナリティは0.1以下とする。



符号 NO.	名称 DESCRIPTION	個数 QTY.	材料 MATERIAL	仕上 FINISH	備考 REMARKS
4	HEAT RESISTING TAPE 耐熱テープ	1	PI ポリイミド		
3	DUMMY CONTACT ダミーコンタクト	8	COPPER ALLOY 銅合金	GOLD PLATING Auメッキ	TERMINAL AREA: 0.03μm MIN. 端子部: 0.03μm 以上
2	INSULATOR インシュレータ	1	HEAT RESISTING PLASTICS 耐熱性プラスチック		UL94V-0 COLOR: BLACK 色相: 黒
1	CONTACT コンタクト	214	COPPER ALLOY 銅合金	GOLD PLATING Auメッキ	CONTACT AREA: 0.1μm MIN. 接触部: 0.1μm 以上

仕様書(SPECIFICATION) JACS-10195	第1版(ORIGINAL DATE) 17.Jun.2004	尺度(SCALE) 5:1	シリーズ(SERIES) WA6	日本航空電子工業株式会社 JAPAN AVIATION ELECTRONICS INDUSTRY, LTD.
製図 DR. S.ISHIDA	担当 CHK. H.OBIKANE	名称(TITLE) WA6F214VA1T		図面番号(DRAWING NO.) SJ101337
査閲 APPD. Y.YAHIRO	承認 APPD. S.KASHIWAQI	RECEPTACLE (WITH TAPE)		
公差(GENERAL TOLERANCE)	寸法(DIMENSION)	角度(ANGLES)	質量(MASS)	版数 (REV.) 2

DOF-0-212E(03.08)