



Chipsmall Limited consists of a professional team with an average of over 10 year of expertise in the distribution of electronic components. Based in Hongkong, we have already established firm and mutual-benefit business relationships with customers from,Europe,America and south Asia,supplying obsolete and hard-to-find components to meet their specific needs.

With the principle of “Quality Parts,Customers Priority,Honest Operation,and Considerate Service”,our business mainly focus on the distribution of electronic components. Line cards we deal with include Microchip,ALPS,ROHM,Xilinx,Pulse,ON,Everlight and Freescale. Main products comprise IC,Modules,Potentiometer,IC Socket,Relay,Connector.Our parts cover such applications as commercial,industrial, and automotives areas.

We are looking forward to setting up business relationship with you and hope to provide you with the best service and solution. Let us make a better world for our industry!



Contact us

Tel: +86-755-8981 8866 Fax: +86-755-8427 6832

Email & Skype: info@chipsmall.com Web: www.chipsmall.com

Address: A1208, Overseas Decoration Building, #122 Zhenhua RD., Futian, Shenzhen, China



REV.	MODIFICATION.	DATE	DRN
01	PRODUCTION RELEASE	19/01/12	SF

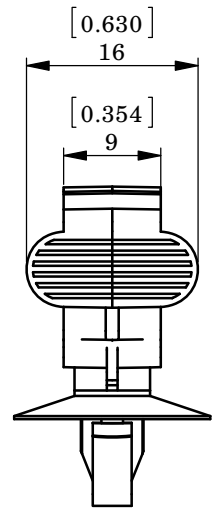


FIG 1

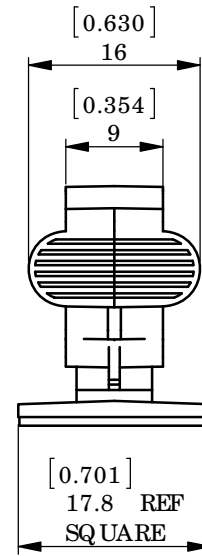
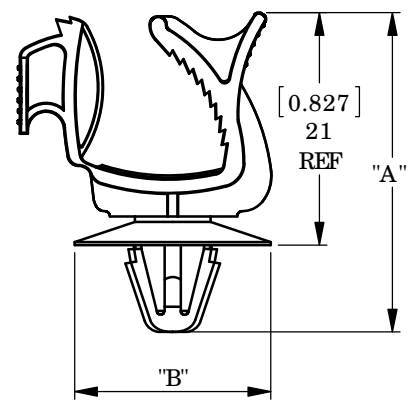
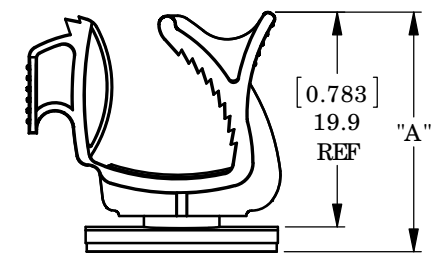


FIG 2



TYPICAL RELEASE TAB POSITION

ALTERNATE UNITS FOR REFERENCE ONLY

PARTNo	FIG	"A" REF	"B"	MO UNTING HO LE	PANEL THIC KNESS	C ABLE BUNDLE
WAC1-01	1	26.5 [1.043]	18.4 [0.724]	Ø4-4.8 [.157 - .189]	0.5 - 1.6 [.019 - .063]	Ø3 - 8.5 [.118 - .335]
WAC2-01		29.5 [1.161]		Ø6-6.8 [.236 - .267]	0.5-2.5 [.019 - .098]	
WAC3-01A4-RT	2	22.2 [0.874]	-	-	0.5 - 1.6 [.019 - .063]	
PARTS AVAILABLE IN NYLON 6/6 UL94 V-0(RMS-19) MATERIAL BY SPECIAL ORDER, COLOUR: NATURAL OTHER COLOURS AVAILABLE BY SPECIAL ORDER.						
ADHESIVE BACKING: RMS-24, DOUBLE SIDED ADHESIVE TAPE WITH RELEASE TAB						

INFORMATION CONTAINED IN THIS DOCUMENT IS CONFIDENTIAL TO RICHCO INTERNATIONAL Co. Ltd. AND MAY NOT BE DISCLOSED OR REPRODUCED IN WHOLE OR PART WITHOUT THEIR WRITTEN CONSENT.

RICHCO, INC. WWW.RICHCO-INC.COM		ALL DIMENSIONS IN mm GENERAL TOLERANCES ±0.25 UNLESS OTHERWISE STATED 1 DECIMAL PLACE ±0.25 2 DECIMAL PLACES ±0.10 ANGULAR ±1°	THIRD ANGLE
MATERIAL: NYLON 6/6 UL94V-2(RMS-01)		COLOUR: NATURAL	
DESCRIPTION: WEBBED ADJUSTABLE CLIP		PARTNo: SEE TABLE	
DRG No: 012-004	PROJECTNUMBER: EU12-0020	Mass:(g) 1.7	SHEET SIZE A4
DRN RA	DATE 23/03/12	CHKD NB	DATE 23/03/12
SCALE NTS	SHEETNo. 1 OF 1		