



Chipsmall Limited consists of a professional team with an average of over 10 year of expertise in the distribution of electronic components. Based in Hongkong, we have already established firm and mutual-benefit business relationships with customers from,Europe,America and south Asia,supplying obsolete and hard-to-find components to meet their specific needs.

With the principle of “Quality Parts,Customers Priority,Honest Operation,and Considerate Service”,our business mainly focus on the distribution of electronic components. Line cards we deal with include Microchip,ALPS,ROHM,Xilinx,Pulse,ON,Everlight and Freescale. Main products comprise IC,Modules,Potentiometer,IC Socket,Relay,Connector.Our parts cover such applications as commercial,industrial, and automotives areas.

We are looking forward to setting up business relationship with you and hope to provide you with the best service and solution. Let us make a better world for our industry!



Contact us

Tel: +86-755-8981 8866 Fax: +86-755-8427 6832

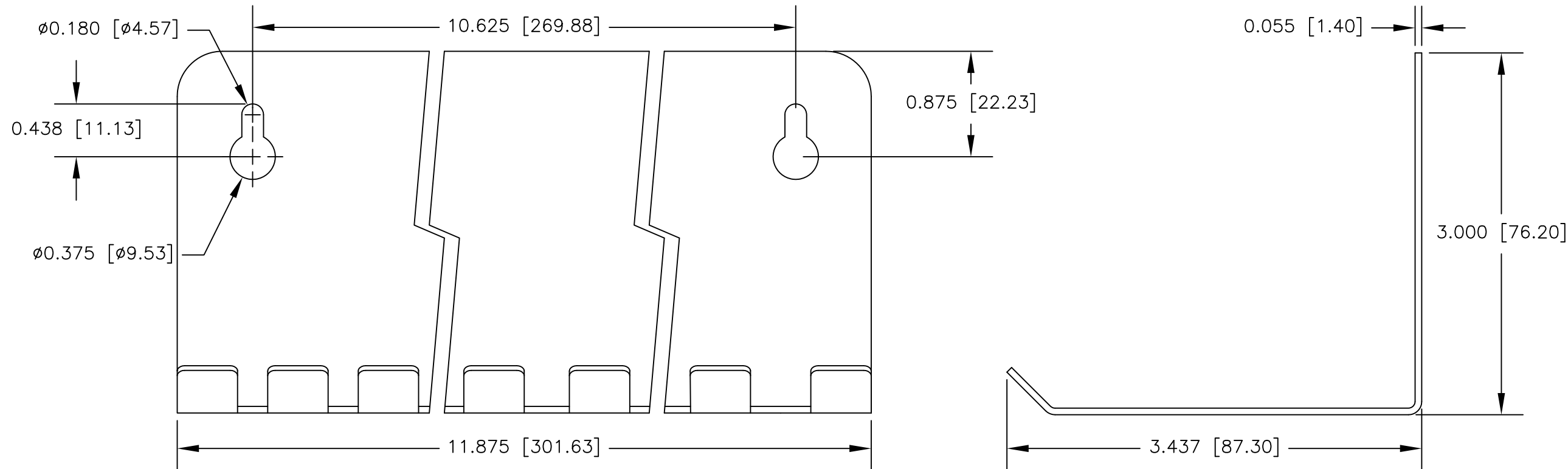
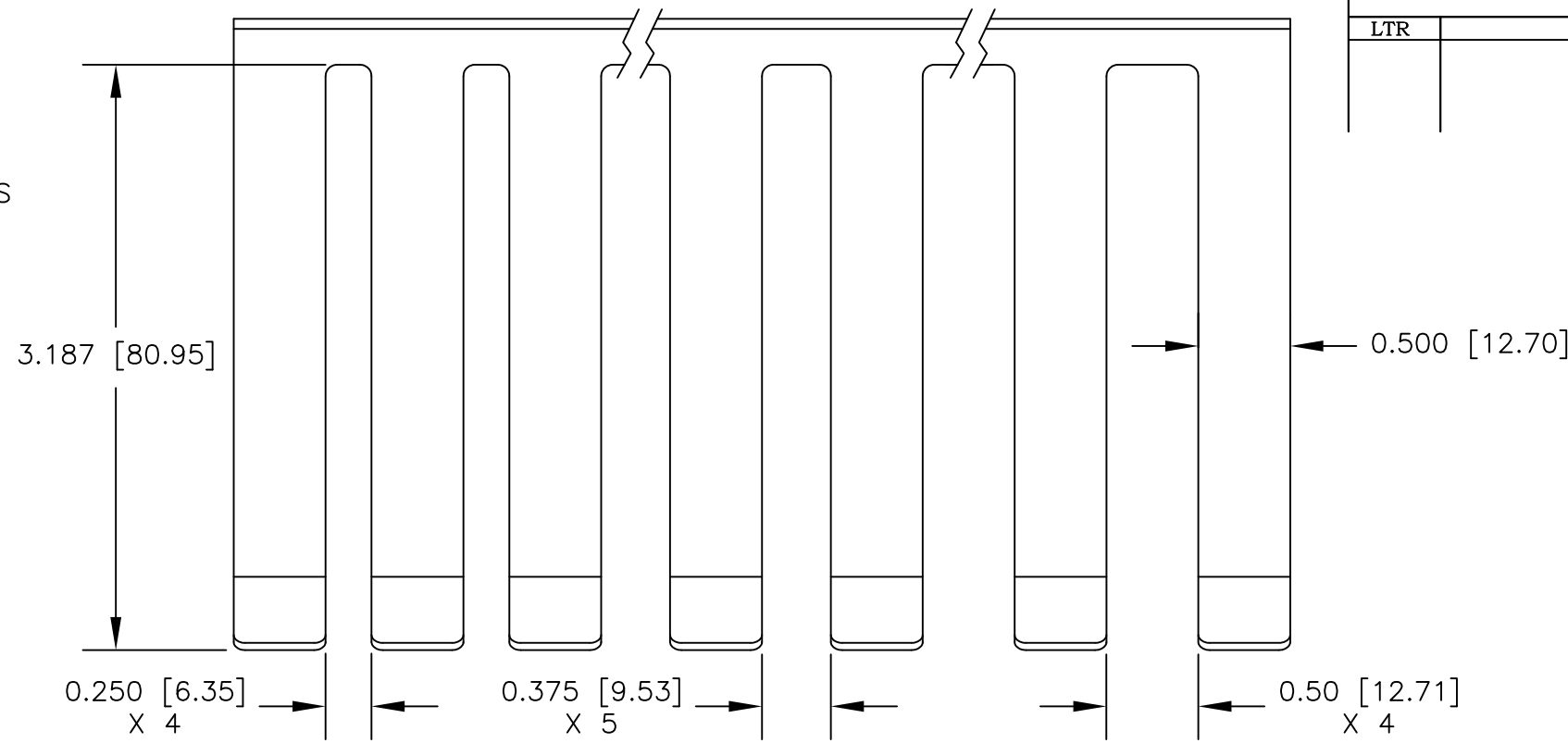
Email & Skype: info@chipsmall.com Web: www.chipsmall.com

Address: A1208, Overseas Decoration Building, #122 Zhenhua RD., Futian, Shenzhen, China



NOTES: UNLESS OTHERWISE SPECIFIED

- FEATURES:
LARGE 13 SLOT WALL BRACKET FOR HOLDING TEST LEADS AND CABLES.
THREE DISTINCT WIDTHS FOR VARIOUS CABLE GAUGES.
- PERFORMANCE:
WEIGHT: 1 LB
LOAD: 4 LBS DISTRIBUTED OVER EACH ARM.



REVISIONS		DATE	APPROVED
LTR	DESCRIPTION		

		UNLESS OTHERWISE SPECIFIED DIMENSIONS ARE IN INCHES TOLERANCES ARE: FRACTIONS DECIMALS ANGLES ± .XX ± ± .XXX ±		CONTRACT NO.		E-Z-HOOK DIVISION OF TEKTEST INC. ARCADIA, CA 91006 U.S.A.			
		MATERIAL STEEL		APPROVALS	DATE				
		FINISH BLACK		DRAWN	R.L.	9/10	DESCRIPTION 13 SLOT WALL BRACKET		
NEXT ASSY		USED ON		APPROVED BY		SIZE	CODE IDENT NO.	DRAWING NO.	REV.
APPLICATION		DO NOT SCALE DRAWING				B	08505	WB14	
						SCALE	1:1		SHEET 1 OF 1