



Chipsmall Limited consists of a professional team with an average of over 10 year of expertise in the distribution of electronic components. Based in Hongkong, we have already established firm and mutual-benefit business relationships with customers from,Europe,America and south Asia,supplying obsolete and hard-to-find components to meet their specific needs.

With the principle of "Quality Parts,Customers Priority,Honest Operation,and Considerate Service",our business mainly focus on the distribution of electronic components. Line cards we deal with include Microchip,ALPS,ROHM,Xilinx,Pulse,ON,Everlight and Freescale. Main products comprise IC,Modules,Potentiometer,IC Socket,Relay,Connector.Our parts cover such applications as commercial,industrial, and automotives areas.

We are looking forward to setting up business relationship with you and hope to provide you with the best service and solution. Let us make a better world for our industry!



Contact us

Tel: +86-755-8981 8866 Fax: +86-755-8427 6832

Email & Skype: info@chipsmall.com Web: www.chipsmall.com

Address: A1208, Overseas Decoration Building, #122 Zhenhua RD., Futian, Shenzhen, China



THIS COPY IS PROVIDED ON A RESTRICTED BASIS AND IS NOT TO BE USED IN ANY WAY DETRIMENTAL TO THE INTERESTS OF PANDUIT CORP.

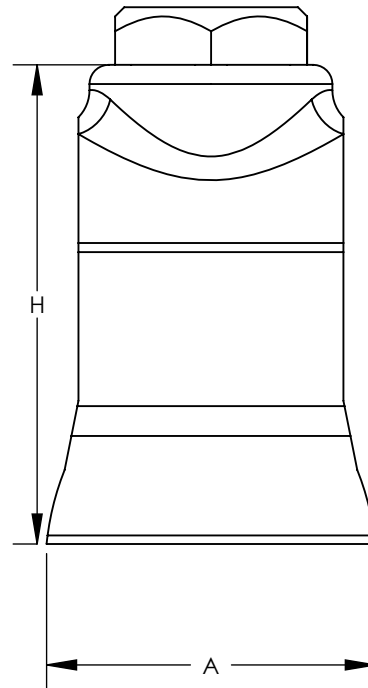
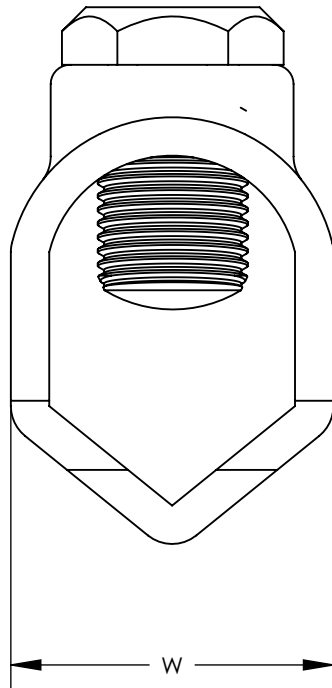
NOTES:

1. MATERIAL:
BODY - CASTED BRONZE
SCREW - STAINLESS STEEL
2. DIRECT BURIAL
3. LISTED PER UL 467, CSA CERTIFIED
4. DIMENSIONS IN PARENTHESIS ARE MILLIMETERS.



CERTIFIED

PANUIT PART NUMBER	GROUND ROD SIZE	WIRE RANGE COPPER	INSTALLATION TOOL	DIMENSIONS - IN [mm]		
				W	H	A
WB12-L	1/2 INCH	2-10 AWG STR 10 AWG SOL	1/2 INCH HEX WRENCH	0.84 [21.3]	1.28 [32.5]	0.88 [22.4]
WB34-X	5/8 INCH 3/4 INCH	1/0 - 8 AWG STR 2 - 8 AWG STR	1/2 INCH HEX WRENCH	1.06 [26.9]	1.54 [39.1]	1.03 [26.2]
WB58-Q	5/8 INCH	1/0 - 8 AWG STR	1/2 INCH HEX WRENCH	0.92 [23.4]	1.40 [35.6]	1.04 [26.4]



02	10/11	JHNU	JHNU	REVISED NOTE 1: SCREW MATERIAL WAS SILICON BRONZE	N41399BB-C41399	RGB	RGB	<p>GROUND ROD CLAMP - WB SERIES (WB12-L, WB34-X, WB58-Q) CUSTOMER DRAWING</p>		
01	2/08	JHNU	JHNU	REVISED NOTES CONVERTED DRAWING TO SOLIDWORKS						
00	12/03	SRB		RELEASED						
REV	DATE	BY	CHK	DESCRIPTION	ECN	-R	SUP	SCALE	DRAWING NO / CAD FILE	C41399_02