



Chipsmall Limited consists of a professional team with an average of over 10 year of expertise in the distribution of electronic components. Based in Hongkong, we have already established firm and mutual-benefit business relationships with customers from,Europe,America and south Asia,supplying obsolete and hard-to-find components to meet their specific needs.

With the principle of “Quality Parts,Customers Priority,Honest Operation,and Considerate Service”,our business mainly focus on the distribution of electronic components. Line cards we deal with include Microchip,ALPS,ROHM,Xilinx,Pulse,ON,Everlight and Freescale. Main products comprise IC,Modules,Potentiometer,IC Socket,Relay,Connector.Our parts cover such applications as commercial,industrial, and automotives areas.

We are looking forward to setting up business relationship with you and hope to provide you with the best service and solution. Let us make a better world for our industry!



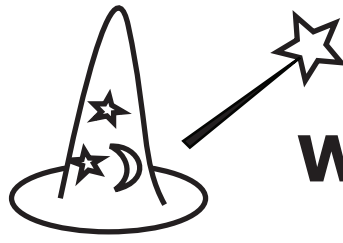
Contact us

Tel: +86-755-8981 8866 Fax: +86-755-8427 6832

Email & Skype: info@chipsmall.com Web: www.chipsmall.com

Address: A1208, Overseas Decoration Building, #122 Zhenhua RD., Futian, Shenzhen, China



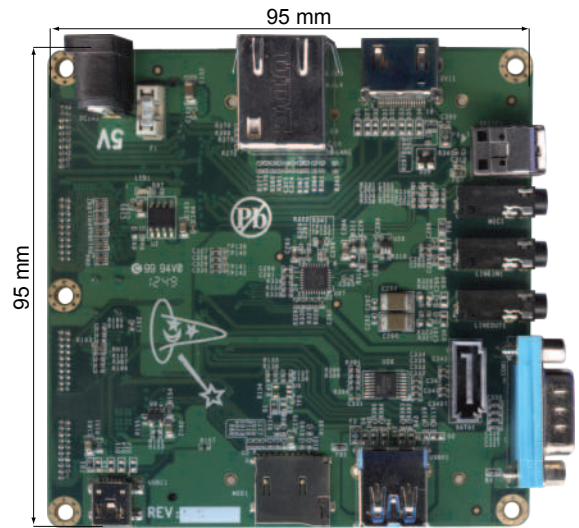


WANDBOARD.ORG



Freescale i.MX6 Cortex-A9
Low cost open source community
Development Board

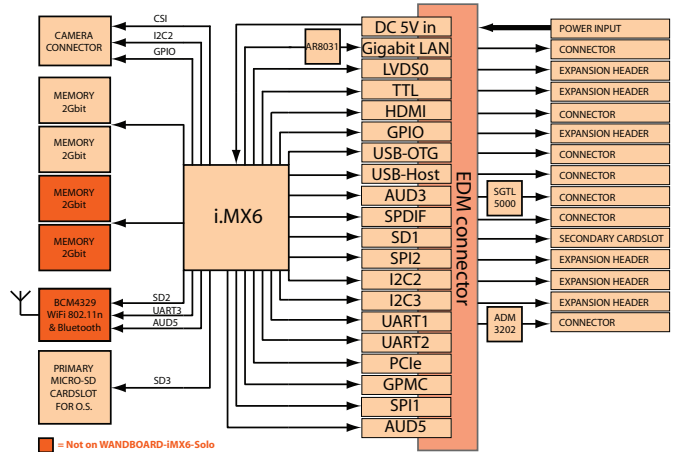
Dimensional drawing



Specifications

	Wandboard Solo	Wandboard Dual	Wandboard Quad
Processor	i.MX6 Solo	i.MX6 DualLite	i.MX6 Quad
Cores	ARM Cortex-A9 Single core @ 1GHz	ARM Cortex-A9 Dual core @ 1GHz	ARM Cortex-A9 Quad core @ 1GHz
Memory	512 MB DDR3	1 GB DDR3	2 GB DDR3
Audio	✓	✓	✓
Optical S/PDIF	✓	✓	✓
HDMI	✓	✓	✓
Camera interface	✓	✓	✓
micro SD cardslot	2	2	2
Serial port	✓	✓	✓
Expansion Header	✓	✓	✓
USB	✓	✓	✓
USB OTG	✓	✓	✓
SATA connector	X	X	✓
Gigabit LAN	✓	✓	✓
WIFI (802.11n)	X	✓	✓
Bluetooth	X	✓	✓

Block diagram



Order information

- | | |
|--------------|--------------------------|
| wbsolo | Wandboard i.MX6 Solo |
| wbdual | Wandboard i.MX6 DualLite |
| wbquad | Wandboard i.MX6 Quad |
| wbenclosure | Wandboard enclosure |
| wbantennakit | Wandboard antenna kit |



Complete Schematics, Source Code and Documentation can be found on www.wandboard.org