



Chipsmall Limited consists of a professional team with an average of over 10 year of expertise in the distribution of electronic components. Based in Hongkong, we have already established firm and mutual-benefit business relationships with customers from,Europe,America and south Asia,supplying obsolete and hard-to-find components to meet their specific needs.

With the principle of “Quality Parts,Customers Priority,Honest Operation,and Considerate Service”,our business mainly focus on the distribution of electronic components. Line cards we deal with include Microchip,ALPS,ROHM,Xilinx,Pulse,ON,Everlight and Freescale. Main products comprise IC,Modules,Potentiometer,IC Socket,Relay,Connector.Our parts cover such applications as commercial,industrial, and automotives areas.

We are looking forward to setting up business relationship with you and hope to provide you with the best service and solution. Let us make a better world for our industry!



Contact us

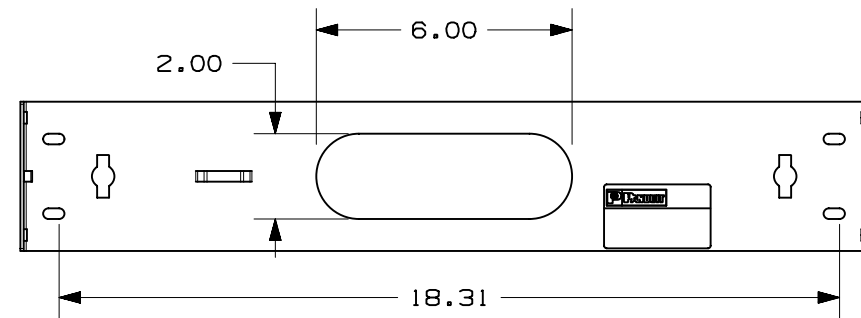
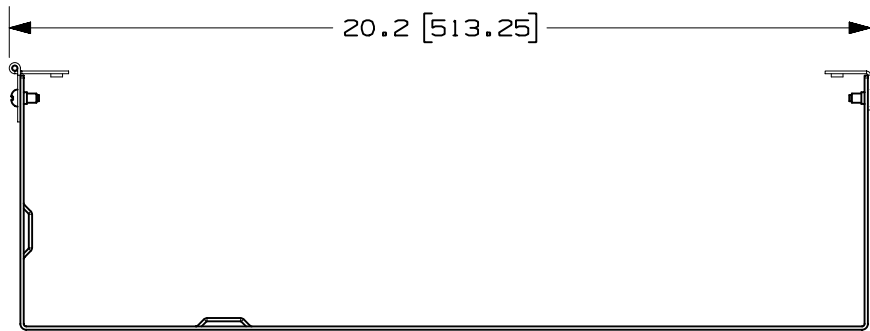
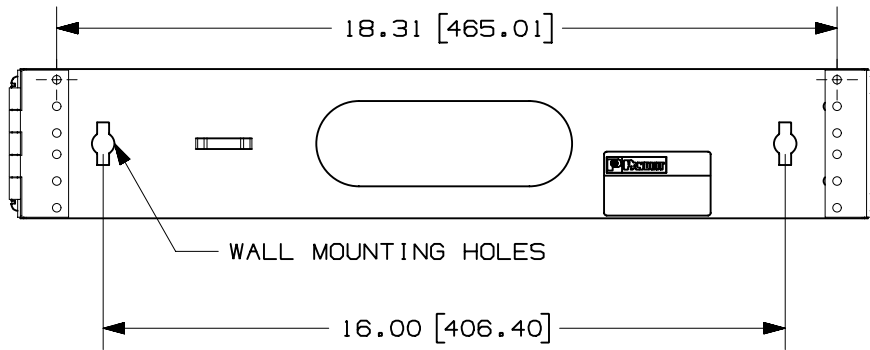
Tel: +86-755-8981 8866 Fax: +86-755-8427 6832

Email & Skype: info@chipsmall.com Web: www.chipsmall.com

Address: A1208, Overseas Decoration Building, #122 Zhenhua RD., Futian, Shenzhen, China



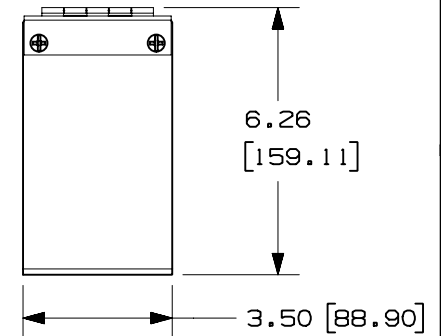
THIS COPY IS PROVIDED ON A RESTRICTED BASIS AND IS NOT TO BE USED IN ANY WAY DETRIMENTAL TO THE INTERESTS OF PANDUIT CORP.



PANDUIT P/N	WEIGHT
WBH2	3.8 LBS/EACH 1723 g/EACH

NOTES:

- VISIT OUR ON-LINE CATALOG AT WWW.PANDUIT.COM FOR A CURRENT LIST OF PRODUCTS APPLICABLE FOR USE WITH THIS PART.
- COMPONENTS:
1- WBH2
4- #12-24 X 1/2" SCREWS
- DIMENSIONS IN PARENTHESIS ARE METRIC.



MODEL FILENAME		D35331AA_WBH2_01.PRT	
CAD FILENAME/LAYERS		D35331AA_DC_01A.PRT	
<h1>PANDUIT</h1> CORP. TINLEY PARK, ILLINOIS			
<h2>WBH2 CUSTOMER DRAWING</h2>			
UNLESS OTHERWISE SPECIFIED, DIMENSIONAL TOLERANCES ARE:		UNLESS OTHERWISE SPECIFIED, ALL DIMENSIONS ARE GIVEN IN INCHES, THIRD ANGLE PROJECTION.	
(.X) ± .03 (.XX) ± .015		(.XXX) ± .005 ANGLES ± 1°	
DRAWN BY	JDWE	MAT'L:	STEEL - POWDER COATED BLACK
DATE	10-28-03	SCALE	NONE
CHK'D		DRAWING NO.	35331-26
REV		DESCRIPTION	
ECN	- R	CUST	
SUP		OTH	
			DWG SIZE A

R	10-28-03	JDWE		RELEASED TO PRODUCTION	35331-26				
REV	DATE	BY	CHK	DESCRIPTION	ECN	- R	CUST	SUP	OTH