



Chipsmall Limited consists of a professional team with an average of over 10 year of expertise in the distribution of electronic components. Based in Hongkong, we have already established firm and mutual-benefit business relationships with customers from,Europe,America and south Asia,supplying obsolete and hard-to-find components to meet their specific needs.

With the principle of "Quality Parts,Customers Priority,Honest Operation,and Considerate Service",our business mainly focus on the distribution of electronic components. Line cards we deal with include Microchip,ALPS,ROHM,Xilinx,Pulse,ON,Everlight and Freescale. Main products comprise IC,Modules,Potentiometer,IC Socket,Relay,Connector.Our parts cover such applications as commercial,industrial, and automotives areas.

We are looking forward to setting up business relationship with you and hope to provide you with the best service and solution. Let us make a better world for our industry!



Contact us

Tel: +86-755-8981 8866 Fax: +86-755-8427 6832

Email & Skype: info@chipsmall.com Web: www.chipsmall.com

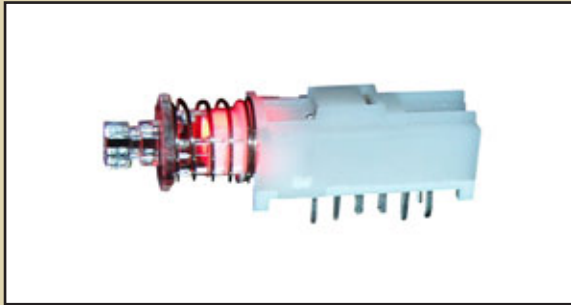
Address: A1208, Overseas Decoration Building, #122 Zhenhua RD., Futian, Shenzhen, China



SERIES WBL SWITCHES



ILLUMINATED PUSHBUTTON SWITCH



MECHANICAL SPECIFICATIONS

Mechanical Life:	10,000 cycles
Force:	200 +/- 100 grams
Travel:	Full: 3.30 +/- 0.3mm; To Lock: 2.50 +/- 0.3mm

ELECTRICAL SPECIFICATIONS

Contact Arrangement:	DPDT & 4PDT
Contact Rating:	30VDC, 300mA
Contact Resistance:	50mΩ (initial max)
Insulation Resistance:	100MΩ (Min @ 500VDC)
Dielectric Strength:	500VAC

ENVIRONMENTAL SPECIFICATIONS

Operating Temperature:	-20°C to +70°C
Storage Temperature:	-20°C to +70°C

FEATURES & BENEFITS

- 2 or 4 pole options
- Cap Option
- Multiple LED colors

APPLICATIONS / MARKETS

- Telecommunications
- Consumer electronics
- Audio/Visual
- Medical equipment
- Computer/servers/peripherals

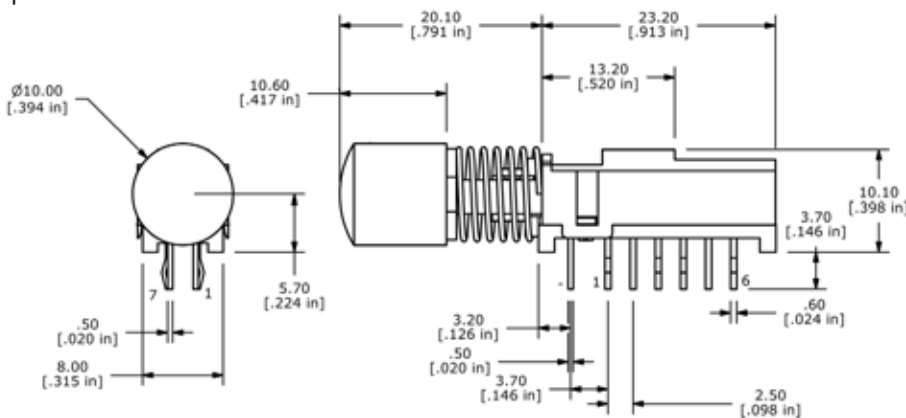
HOW TO ORDER:

SERIES	POLES	CONFIGURATION	LED COLOR	PLATING	BUTTON (optional)	BUTTON COLOR (optional)
WBL						
	2U = 2 pole 4U = 4 pole	OA = Momentary EE = Latching	R = Red G = Green Y = Yellow X = None B = Blue RG = Red-Green RB = Red-Blue RY = Red-Yellow GB = Green-Blue GY = Green-Yellow YB = Yellow-Blue	Q = Silver	R05 = 10mm Dia.	CLR = Transparent

Parts to be packaged in trays, 84 pieces per tray.

Specifications subject to change without notice.

Optional Button:



LED SPECIFICATIONS

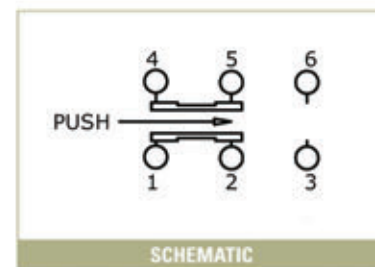
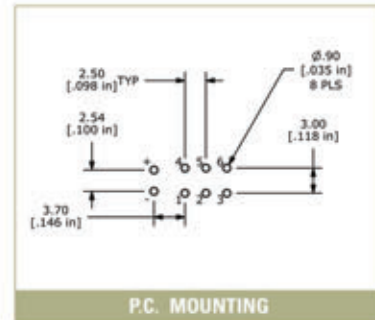
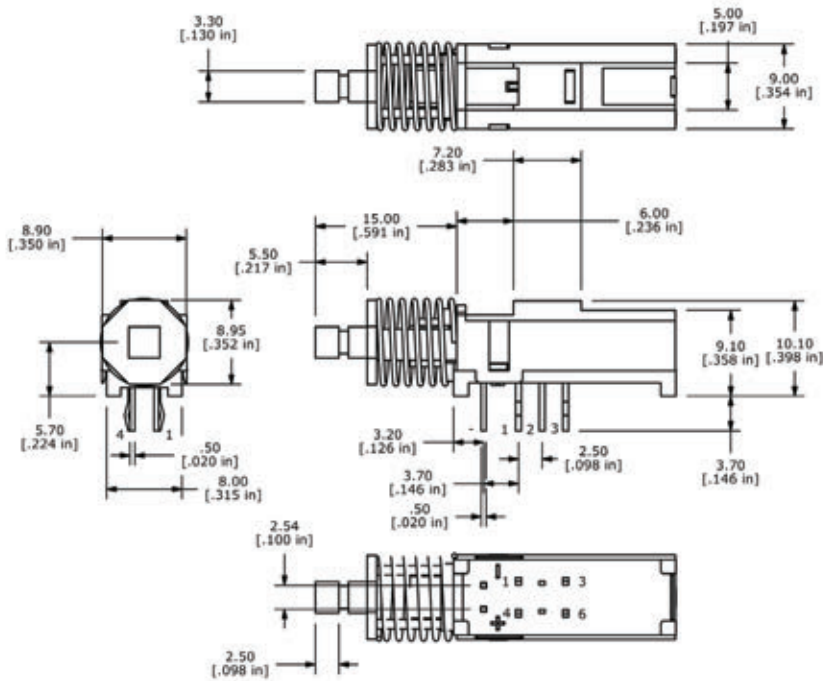
	Units	Blue	Red	Green	Yellow
Forward Current	mA	20mA	20mA	20mA	20mA
Forward Voltage @ 20mA	VDC	3.5 typ - 4.0 max	1.7 typ - 2.6 max	1.7 typ - 2.6 max	1.7 typ - 2.6 max
Luminous Intensity @ 20mA	mcd	350 typ	1.6 typ	4.7 typ	4.7 typ

SERIES WBL SWITCHES



E-SWITCH®

2 Pole Option:



4 Pole Option:

