



Chipsmall Limited consists of a professional team with an average of over 10 year of expertise in the distribution of electronic components. Based in Hongkong, we have already established firm and mutual-benefit business relationships with customers from,Europe,America and south Asia,supplying obsolete and hard-to-find components to meet their specific needs.

With the principle of “Quality Parts,Customers Priority,Honest Operation,and Considerate Service”,our business mainly focus on the distribution of electronic components. Line cards we deal with include Microchip,ALPS,ROHM,Xilinx,Pulse,ON,Everlight and Freescale. Main products comprise IC,Modules,Potentiometer,IC Socket,Relay,Connector.Our parts cover such applications as commercial,industrial, and automotives areas.

We are looking forward to setting up business relationship with you and hope to provide you with the best service and solution. Let us make a better world for our industry!



## Contact us

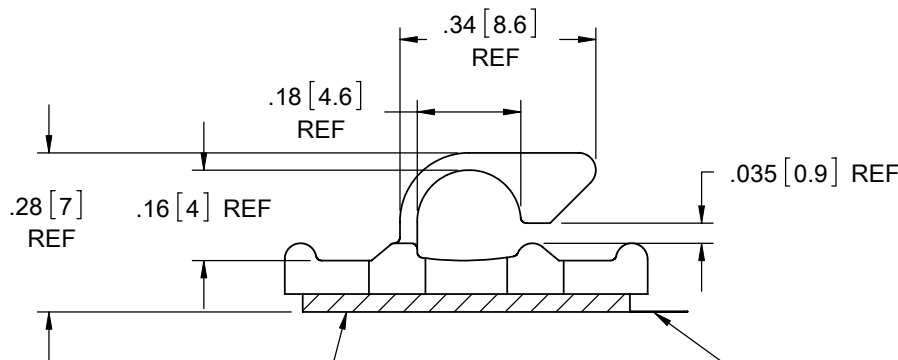
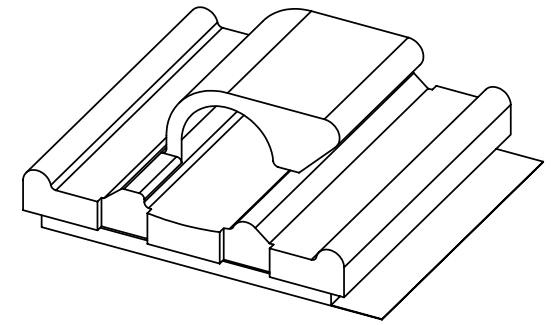
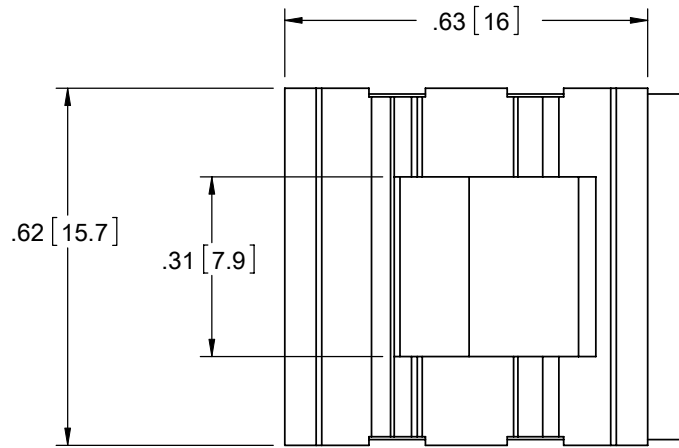
Tel: +86-755-8981 8866 Fax: +86-755-8427 6832

Email & Skype: info@chipsmall.com Web: www.chipsmall.com

Address: A1208, Overseas Decoration Building, #122 Zhenhua RD., Futian, Shenzhen, China



|                |                                |
|----------------|--------------------------------|
| PART NO        | ADHESIVE                       |
| WCK-180-01A-RT | ACRYLIC ADHESIVE TAPE (RMS-15) |
| WCK-180-01     | WITHOUT TAPE                   |



NOTES:

1. MATERIAL: NYLON 6/6 UL 94 V-2 (RMS-01).  
NYLON 6/6 UL 94 V-0 (RMS-19), AVAILABLE BY SPECIAL ORDER ONLY
2. COLOR: NATURAL.
3. RUBBER BASED ADHESIVE FOAM TAPE (RMS-102), AVAILABLE BY SPECIAL ORDER ONLY.  
TO ORDER REPLACE "-01A-RT" WITH "-01A1-RT"

1/32 [0.8] THICK,  
DOUBLE SIDED ADHESIVE TAPE  
WITH RELEASE TAB

TYPICAL RELEASE  
TAB LOCATION

|   |  |  |   |  |  |  |                |  |           |  |            |
|---|--|--|---|--|--|--|----------------|--|-----------|--|------------|
| L SEE CO 200058 SK 11/08/07             |  |  | TITLE: WIRE CORD KLIP   |  |  |  | DWG IN IN [MM] |  | FINAL     |  | PRINT TYPE |
| K SEE ECN #1199 FOR CHANGES SK 07/19/06 |  |  | FILE #: WCK-180   |  | DWN: SK  |  | APP: RT        |  | PART #    |  | CA         |
| - SEE ENG FOR REV A-J ---               |  |  | SHEET: 1 OF 1 SHEET SIZE: A   |  | DT: 07/19/06   |  | CHKD: DZ       |  | SEE TABLE |  |            |
| REV. DESCRIPTION ENGR. DATE             |  |  | RE: RICHCO, INC.  |  | RICHCO, INC.<br>ENG@RICHCO-INC.COM<br>(773) 539-4060 |  |                |  |           |  |            |
|   |  |  | TOLERANCES UNLESS NOTED<br>.XX=±.010<br>.XXX=±.005<br>FRAC.=±1/64<br>ANG.=±1° |  |  |  |                |  |           |  |            |