



Chipsmall Limited consists of a professional team with an average of over 10 year of expertise in the distribution of electronic components. Based in Hongkong, we have already established firm and mutual-benefit business relationships with customers from,Europe,America and south Asia,supplying obsolete and hard-to-find components to meet their specific needs.

With the principle of “Quality Parts,Customers Priority,Honest Operation,and Considerate Service”,our business mainly focus on the distribution of electronic components. Line cards we deal with include Microchip,ALPS,ROHM,Xilinx,Pulse,ON,Everlight and Freescale. Main products comprise IC,Modules,Potentiometer,IC Socket,Relay,Connector.Our parts cover such applications as commercial,industrial, and automotives areas.

We are looking forward to setting up business relationship with you and hope to provide you with the best service and solution. Let us make a better world for our industry!



Contact us

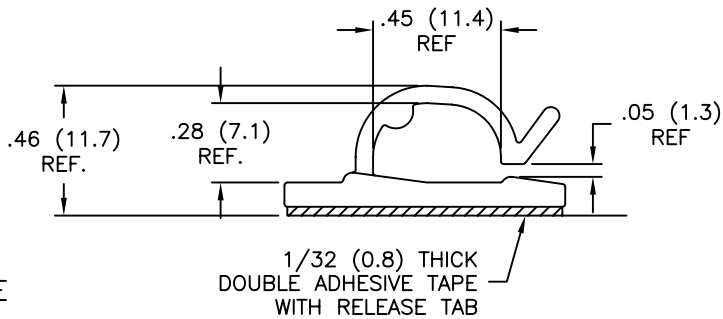
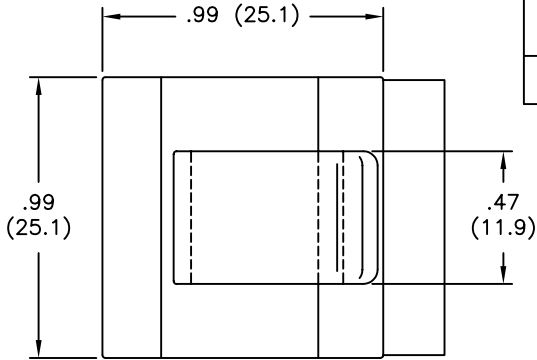
Tel: +86-755-8981 8866 Fax: +86-755-8427 6832

Email & Skype: info@chipsmall.com Web: www.chipsmall.com

Address: A1208, Overseas Decoration Building, #122 Zhenhua RD., Futian, Shenzhen, China



PART NO.	ADHESIVE TAPE
WCK-460-01A-RT	ACRYLIC, 1/32 THICK RMS-15 (WHITE LINER)
WCK-460-01	W/O TAPE



NOTES:

- MAT'L: NYLON 66 (RMS-01)
COLOR: NATURAL
- P/N WCK-460-01A1-RT
WITH DOUBLE SIDED ADHESIVE
RUBBER TAPE (RMS-102)
AVAILABLE BY SPECIAL ORDER ONLY.
- MAT'L: FLAME RET. NYLON 66
(RMS-19), NAT. BY SPECIAL ORDER
ONLY
- DRAWING DOES NOT NECESSARILY
DEPICT TRUE POSITION OF RELEASE
TAB.

G	SEE CO 200058	SK 11.08.07	TITLE: WIRE CORD KLIP				⊙	DWG IN	QR
F	ADDED NOTES 3 & 4.	SJ 06.03.02					□	IN (MM)	
E	ADDED "REF." TO DIM. .28 (7.1)	SM 02.26.02	TOLERANCES	FILE # WCK-460	DWN: P.B.	APP:	FINAL		
D	CHANGED FILE NO.	SM 12.10.01	UNLESS NOTED	MAT'L: SEE NOTES	DT: 08-03-94	DT:	PART #		PRINT TYPE CA
C	ADDED NOTE 2.	S.M.12.05.00	.XX=±.010	RE: RICHCO, INC.	RICHCO INC.		SEE TABLE		
B	ADDED RUBBER TAPE RMS- 102	S.M.11.30.00	.XXX=±.005	PO BOX 804238, CHICAGO, 60680					
A	CONVERTED TO ACAD	PB 08.03.94	FRAC=±1/64	(773) 539-4060					
REV	DESCRIPTION	ENGR DATE	ANG=±1°						