



Chipsmall Limited consists of a professional team with an average of over 10 year of expertise in the distribution of electronic components. Based in Hongkong, we have already established firm and mutual-benefit business relationships with customers from,Europe,America and south Asia,supplying obsolete and hard-to-find components to meet their specific needs.

With the principle of “Quality Parts,Customers Priority,Honest Operation,and Considerate Service”,our business mainly focus on the distribution of electronic components. Line cards we deal with include Microchip,ALPS,ROHM,Xilinx,Pulse,ON,Everlight and Freescale. Main products comprise IC,Modules,Potentiometer,IC Socket,Relay,Connector.Our parts cover such applications as commercial,industrial, and automotives areas.

We are looking forward to setting up business relationship with you and hope to provide you with the best service and solution. Let us make a better world for our industry!



Contact us

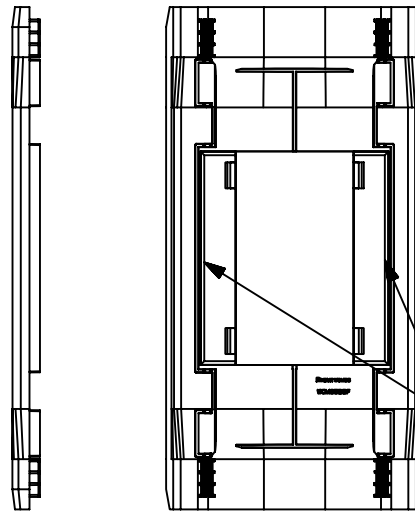
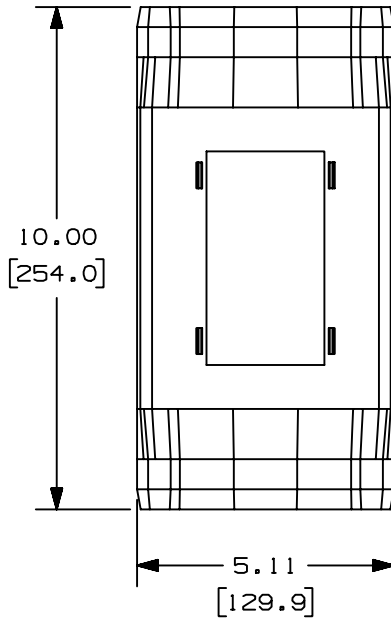
Tel: +86-755-8981 8866 Fax: +86-755-8427 6832

Email & Skype: info@chipsmall.com Web: www.chipsmall.com

Address: A1208, Overseas Decoration Building, #122 Zhenhua RD., Futian, Shenzhen, China



THIS COPY IS PROVIDED ON A RESTRICTED BASIS AND IS NOT TO BE USED IN ANY WAY DETRIMENTAL TO THE INTERESTS OF PANDUIT CORP.

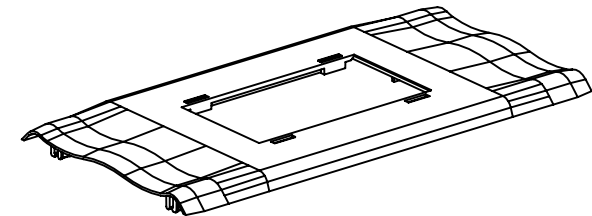


PANDUIT PART NO.	WEIGHT
WCM35DBF	.434 LBS (197.1 G)

NOTES:

- SEE CURRENT CATALOG FOR ADDITIONAL PART NUMBER SUFFIXES TO INDICATE COLOR AND/OR PACKAGE QUANTITY.
- THIS PRODUCT IS INTENDED TO BE USED WITH PANDUIT TYPE WCM35 RACEWAY.
- DIMENSIONS IN PARENTHESIS ARE IN METRIC.
- NOMINAL WALL THICKNESS IS .100" [2.54].
- BREAKOUT FEATURE CONVERTS SINGLE GANG TO DUAL GANG.

SEE NOTE 5



C A

CAD FILENAME/LAYERS D38610BA_DC_WCM35DBF_05C.PRT

PANDUIT CORP. TINLEY PARK, ILLINOIS

3.5 INCH COVE MOLDING
DEVICE BOX FACEPLATE ADAPTER (WCM35DBF)
CUSTOMER DRAWING

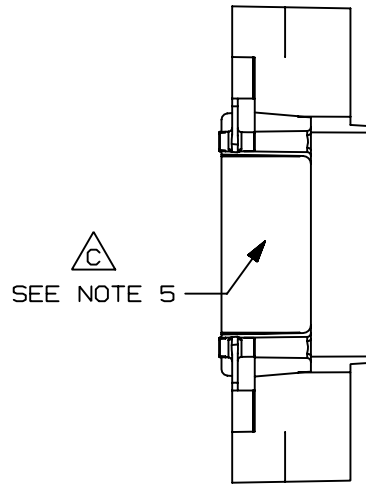
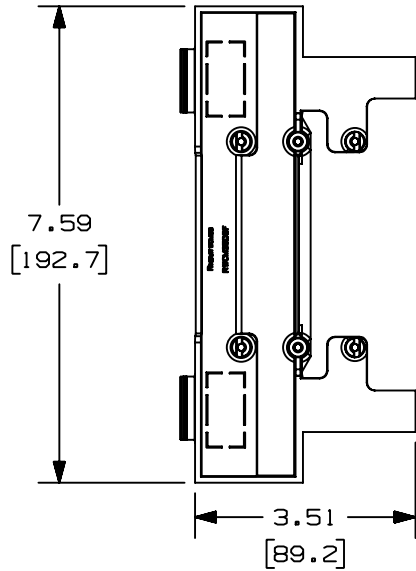
UNLESS OTHERWISE SPECIFIED,
DIMENSIONAL TOLERANCES ARE:
(.X) ± (.XXX) ±.015 (.38)
(.XX) ±.03 (.8) ANGLES ±

UNLESS OTHERWISE SPECIFIED,
ALL DIMENSIONS ARE GIVEN
IN INCHES, THIRD ANGLE PROJECTION.

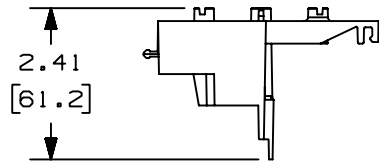
REV	DATE	BY	CHK	DESCRIPTION	ECN	CHK	CUST	SUP
3	02-19-04	JBN	RMHI	G. ADDED NOTE; SHEET 1 OF 2 F. REVISED PART WEIGHT	38610-02	RGRO	RGRO	
-	-----	-----	-----	E. ADDED VIEW	-----	-----	-----	
2	01-29-04	JHEP	RMHI	D. ADDED NOTE 5 C. REVISED PART DESCRIPTION	38610-02	RGRO	RGRO	
-	-----	-----	-----	RELEASED TO PRODUCTION	-----	-----	-----	
1	12-10-03	JHEP	RMHI	B. PART WEIGHT REVISED A. PART NUMBER AND DESCRIPTION REVISED	38610-02	RGRO	RGRO	
R	03-27-03	JBN	RMHI	DRAWING RELEASED				

DRAWN BY JBN	MAT'L: PVC	SCALE NONE
DATE 03-27-03		DRAWING NO. 38610-02 (SHEET 1 OF 2)
CHK'D RMHI		DWG A SIZE

THIS COPY IS PROVIDED ON A RESTRICTED BASIS AND IS NOT TO BE USED IN ANY WAY DETRIMENTAL TO THE INTERESTS OF PANDUIT CORP.

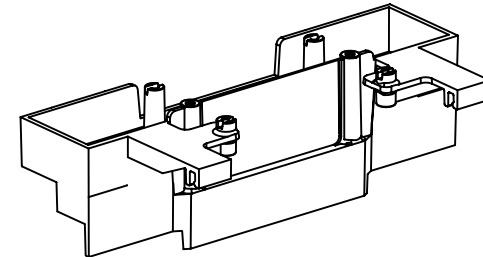


SEE NOTE 5



NOTES:

1. SEE CURRENT CATALOG FOR ADDITIONAL PART NUMBER SUFFIXES TO INDICATE COLOR AND/OR PACKAGE QUANTITY.
2. THIS PRODUCT IS INTENDED TO BE USED WITH PANDUIT TYPE WCM35 RACEWAY.
3. DIMENSIONS IN PARENTHESIS ARE IN METRIC.
4. NOMINAL WALL THICKNESS IS .090" [2.29].
5. REMOVABLE BREAKOUT FEATURE



CAD FILENAME/LAYERS D38611BA_DC_WCM35DBF_08C.PRT

PANDUIT CORP. TINLEY PARK, ILLINOIS

3.5 INCH COVE MOLDING
DEVICE BOX FACEPLATE ADAPTER (WCM35DBF)
CUSTOMER DRAWING

3	02-19-04	JBN	RMHI	E. REVISED DRAWING/ECN NUMBER AND ADDED NOTE D. REMOVED CHART	38610-02	RGRO	RGRO			
2	01-29-04	JHEPRMHI		C. ADDED NOTE 5	38611-02	RGRO	RGRO			
-	-----			RELEASED TO PRODUCTION	38611-02	----	----			
1	12-30-03	JHEPRMHI		B. REVISED WEIGHT A. REVISED PART NUMBER AND DESCRIPTION	38611-02	RGRO	RGRO			
R	03-27-03	JBN	RMHI	DRAWING RELEASED						
REV	DATE	BY	CHK	DESCRIPTION	ECN	CHK	CUST	SUP		

UNLESS OTHERWISE SPECIFIED, DIMENSIONAL TOLERANCES ARE: (.X) ± (.XXX) ±.015 (.38) (.XX) ±.03 (.8) ANGLES ±		UNLESS OTHERWISE SPECIFIED, ALL DIMENSIONS ARE GIVEN IN INCHES, THIRD ANGLE PROJECTION.	
DRAWN BY JBN	MAT'L: PVC	SCALE NONE	
DATE 03-27-03		DRAWING NO. 38610-02 (SHEET 2 OF 2)	DWG A SIZE
CHK'D RMHI			