



Chipsmall Limited consists of a professional team with an average of over 10 year of expertise in the distribution of electronic components. Based in Hongkong, we have already established firm and mutual-benefit business relationships with customers from,Europe,America and south Asia,supplying obsolete and hard-to-find components to meet their specific needs.

With the principle of “Quality Parts,Customers Priority,Honest Operation,and Considerate Service”,our business mainly focus on the distribution of electronic components. Line cards we deal with include Microchip,ALPS,ROHM,Xilinx,Pulse,ON,Everlight and Freescale. Main products comprise IC,Modules,Potentiometer,IC Socket,Relay,Connector.Our parts cover such applications as commercial,industrial, and automotives areas.

We are looking forward to setting up business relationship with you and hope to provide you with the best service and solution. Let us make a better world for our industry!



Contact us

Tel: +86-755-8981 8866 Fax: +86-755-8427 6832

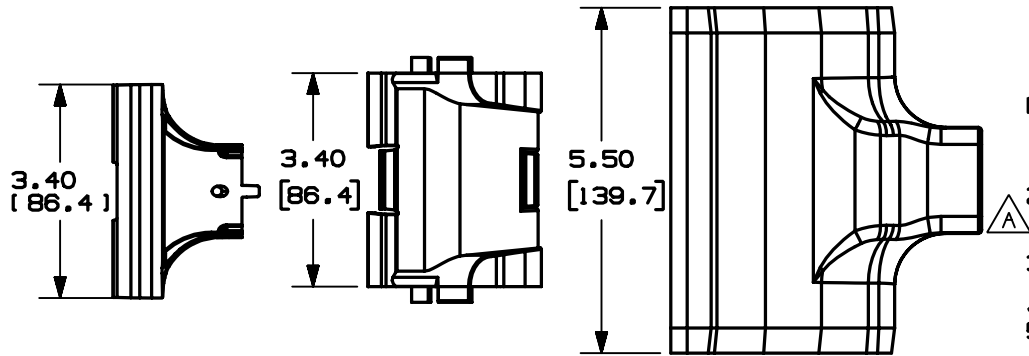
Email & Skype: info@chipsmall.com Web: www.chipsmall.com

Address: A1208, Overseas Decoration Building, #122 Zhenhua RD., Futian, Shenzhen, China

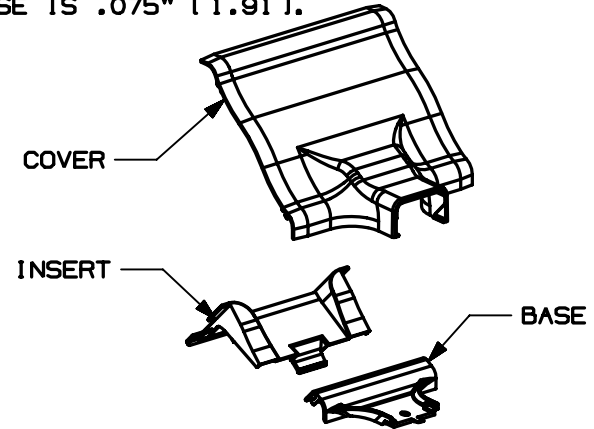
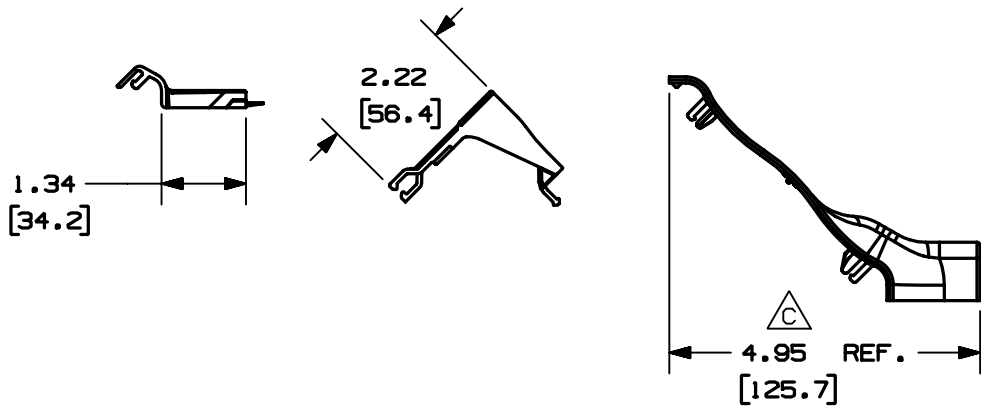


THIS COPY IS PROVIDED ON A RESTRICTED BASIS AND IS NOT TO BE USED IN ANY WAY DETRIMENTAL TO THE INTERESTS OF PANDUIT CORP.

PANDUIT PART NO.	WEIGHT
WCM35TR10	.250 LBS [113.40 G]



- NOTES:
1. SEE CURRENT CATALOG FOR ADDITIONAL PART NUMBER SUFFIXES TO INDICATE COLOR AND/OR PACKAGE QUANTITY.
 2. THIS PRODUCT IS INTENDED TO ROUTE CABLES BETWEEN PANDUIT WCM35 RACEWAY AND PANDUIT LD10 OR LDP10 RACEWAYS.
 3. THIS PRODUCT IS FEATURED WITH A 1" BEND RADIUS.
 4. DIMENSIONS IN PARENTHESIS ARE IN METRIC.
 5. NOMINAL WALL THICKNESS FOR COVER IS .100" [2.54].
 6. NOMINAL WALL THICKNESS FOR INSERT AND BASE IS .075" [1.91].



CAD FILENAME/LAYERS D38646BL_DC_WCM35TR10_OOC.PRT

PANDUIT CORP. TINLEY PARK, ILLINOIS
 3.5 INCH COVE MOLDING LOW PROFILE TRANSITION FITTING (WCM35TR10)
 CUSTOMER DRAWING

REV	DATE	BY	CHK	DESCRIPTION	ECN	CHK	CUST	SUP
-	-----	---	---	RELEASED TO PRODUCTION	-----	---	---	
2	12-31-03	JBN	BKR	C. REVISED DIMENSION TO REFERENCE	38646-08	RGRO	RGRO	
1	12-08-03	JBN	BKR	B. REVISED DESCRIPTION IN TITLE BLOCK A. REVISED NOTE 2				
R	08-13-03	JBN	BKR	DRAWING RELEASED				

UNLESS OTHERWISE SPECIFIED, DIMENSIONAL TOLERANCES ARE: (.X)± (.XXX) ± .015 [.38] (.XX)± .03 [.8] ANGLES ±		UNLESS OTHERWISE SPECIFIED, ALL DIMENSIONS ARE GIVEN IN INCHES, THIRD ANGLE PROJECTION.	
DRAWN BY JBN	MAT'L: PVC	SCALE NONE	
DATE 08-13-03		DRAWING NO. 38646-08	DWG A
CHK'D BKR			SIZE