



Chipsmall Limited consists of a professional team with an average of over 10 year of expertise in the distribution of electronic components. Based in Hongkong, we have already established firm and mutual-benefit business relationships with customers from,Europe,America and south Asia,supplying obsolete and hard-to-find components to meet their specific needs.

With the principle of "Quality Parts,Customers Priority,Honest Operation,and Considerate Service",our business mainly focus on the distribution of electronic components. Line cards we deal with include Microchip,ALPS,ROHM,Xilinx,Pulse,ON,Everlight and Freescale. Main products comprise IC,Modules,Potentiometer,IC Socket,Relay,Connector.Our parts cover such applications as commercial,industrial, and automotives areas.

We are looking forward to setting up business relationship with you and hope to provide you with the best service and solution. Let us make a better world for our industry!



## Contact us

Tel: +86-755-8981 8866 Fax: +86-755-8427 6832

Email & Skype: info@chipsmall.com Web: www.chipsmall.com

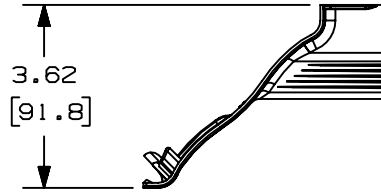
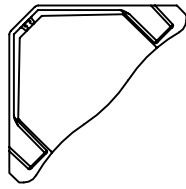
Address: A1208, Overseas Decoration Building, #122 Zhenhua RD., Futian, Shenzhen, China



THIS COPY IS PROVIDED ON A RESTRICTED BASIS AND IS NOT TO BE USED IN ANY WAY DETRIMENTAL TO THE INTERESTS OF PANDUIT CORP.

BASE

COVER



3.62  
[91.8]

2.88  
[73.1]

MOUNTING HOLES  
(4 PLACES)

4.83  
[122.8]

5.29  
[134.5]

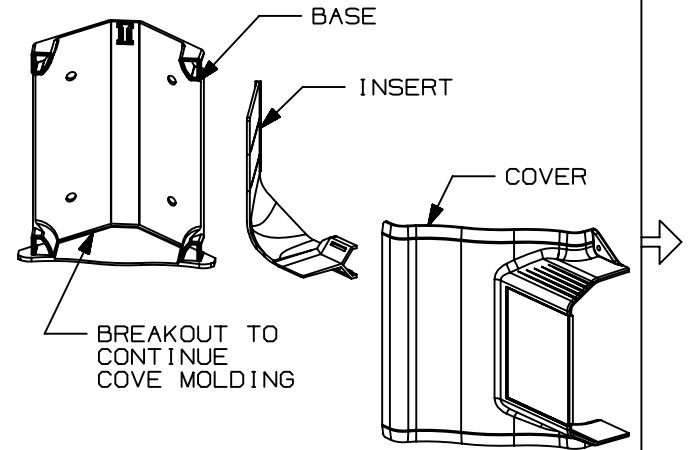
.59  
[15.0]

5.51  
[139.8]

PANDUIT P/N	WEIGHT
WCM35TR70	.40 LB/ EACH (181g / EACH)

NOTES:

1. SEE CURRENT CATALOG FOR ADDITIONAL PART SUFFIXES TO INDICATE COLOR AND OR PACKAGE QUANTITY.
2. DIMENSIONS IN PARENTHESIS ARE IN METRIC.
3. INSERT PROVIDES MINIMUM 1" BEND RADIUS CONTROL.
4. MOUNTING HOLES PROVIDED FOR #10 SCREW.



LEFT

INSERTS

RIGHT

.79  
[20.0]

SCORE LINE  
(TYPICAL  
2 PLACES)

.79  
[20.0]

CAD FILENAME/LAYERS D38517BJ\_DC\_WCM35TR70\_01C.PRT

**PANDUIT** CORP TINLEY PARK, ILLINOIS  
3.5" COVE MOLDING TO T70  
TRANSITION FITTING (WCM35TR70)  
CUSTOMER DRAWING

UNLESS OTHERWISE SPECIFIED, DIMENSIONAL TOLERANCES ARE: (.X) ± (.XXX) ± (.XX) ± .03 (.8) ANGLES ±		UNLESS OTHERWISE SPECIFIED, ALL DIMENSIONS ARE GIVEN IN INCHES, THIRD ANGLE PROJECTION.	
DRAWN BY JHNU	MAT'L: PVC	SCALE NONE	
DATE 04-08-03	CHK'D RPA	DRAWING NO. 38517-06	DWG A SIZE

REV	DATE	BY	CHK	DESCRIPTION	ECN	R	CUST	SUP	GMBH
3	12-21-04	JBN	RPA	B. ADDED MATERIAL INFORMATION	38517-06	RGRO	RGRO		
2	09-10-04	JBN	RPA	RELEASED TO PRODUCTION	38517-06	RGRO	RGRO		
1	07-22-04	JBN	RPA	A. REVISED GEOMETRY					
R	04-08-03	JHNU	RPA	DRAWING RELEASED					