



Chipsmall Limited consists of a professional team with an average of over 10 year of expertise in the distribution of electronic components. Based in Hongkong, we have already established firm and mutual-benefit business relationships with customers from,Europe,America and south Asia,supplying obsolete and hard-to-find components to meet their specific needs.

With the principle of “Quality Parts,Customers Priority,Honest Operation,and Considerate Service”,our business mainly focus on the distribution of electronic components. Line cards we deal with include Microchip,ALPS,ROHM,Xilinx,Pulse,ON,Everlight and Freescale. Main products comprise IC,Modules,Potentiometer,IC Socket,Relay,Connector.Our parts cover such applications as commercial,industrial, and automotives areas.

We are looking forward to setting up business relationship with you and hope to provide you with the best service and solution. Let us make a better world for our industry!



Contact us

Tel: +86-755-8981 8866 Fax: +86-755-8427 6832

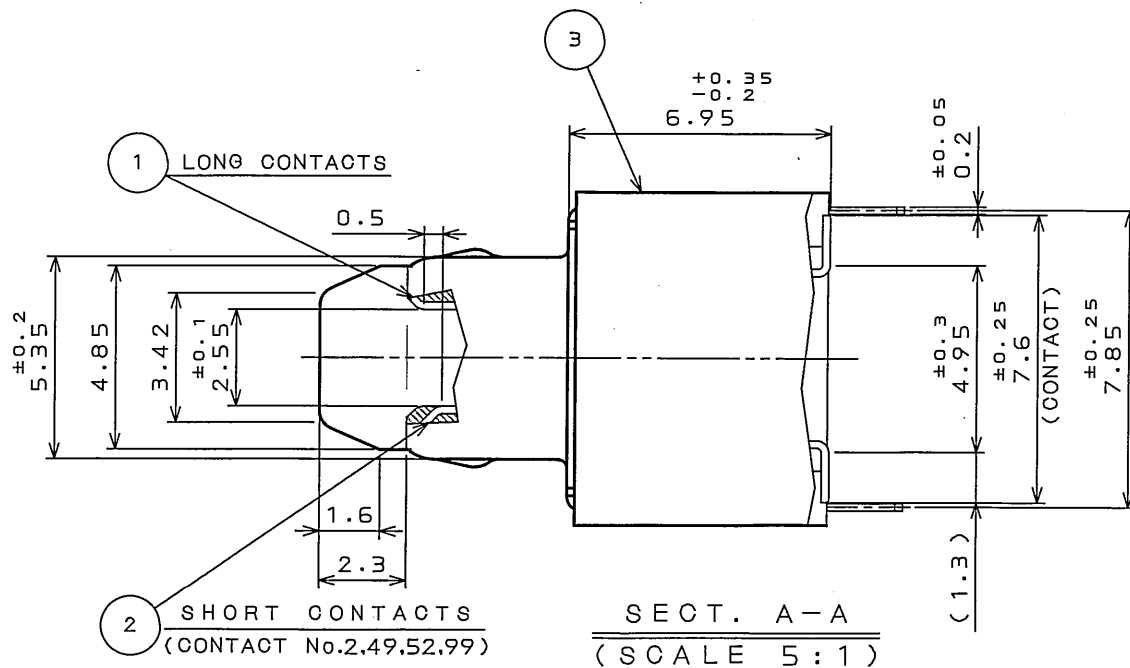
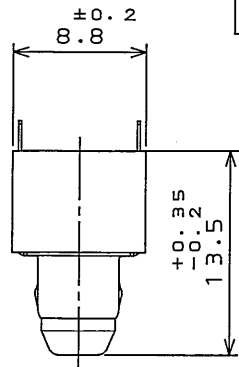
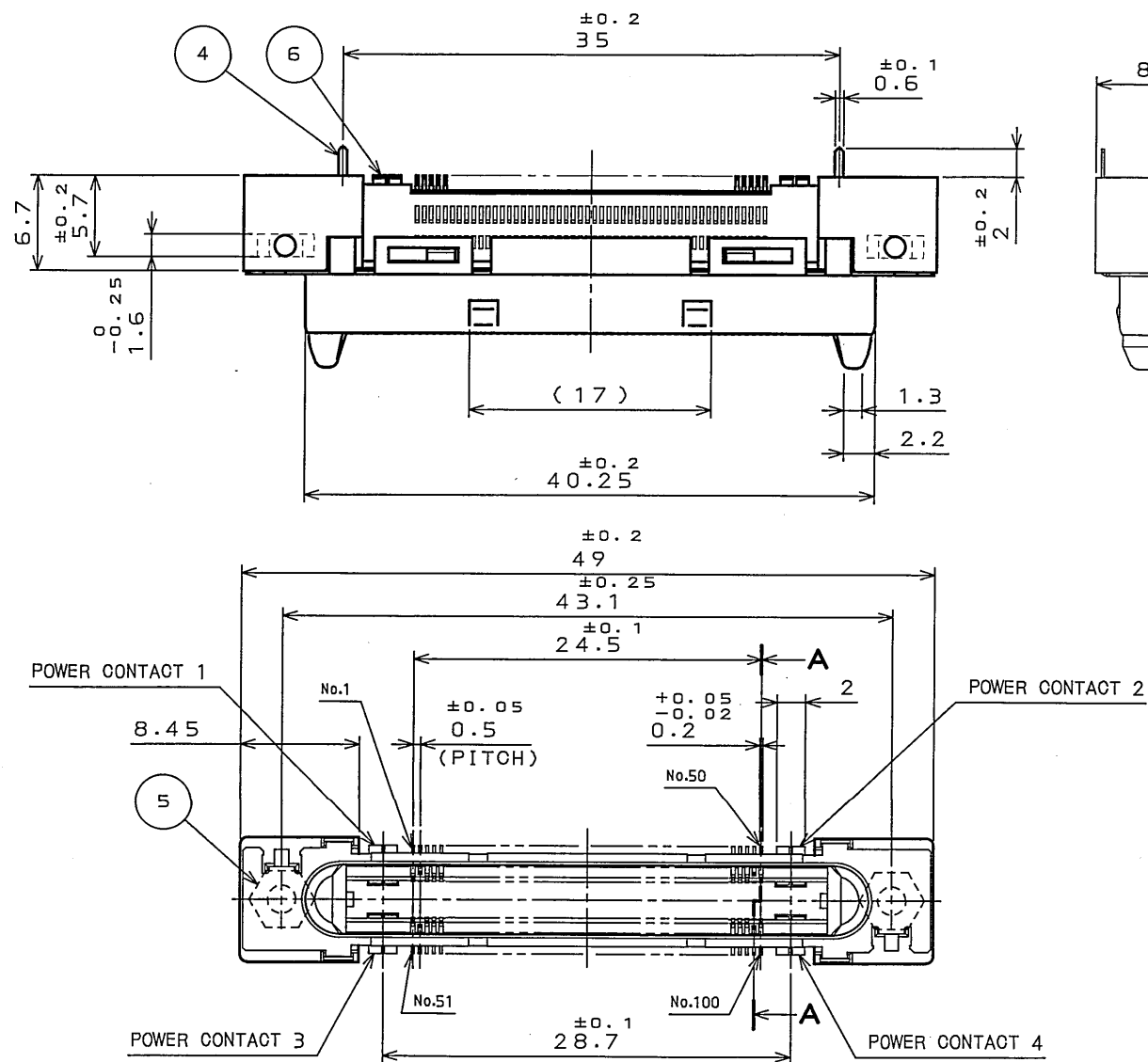
Email & Skype: info@chipsmall.com Web: www.chipsmall.com

Address: A1208, Overseas Decoration Building, #122 Zhenhua RD., Futian, Shenzhen, China

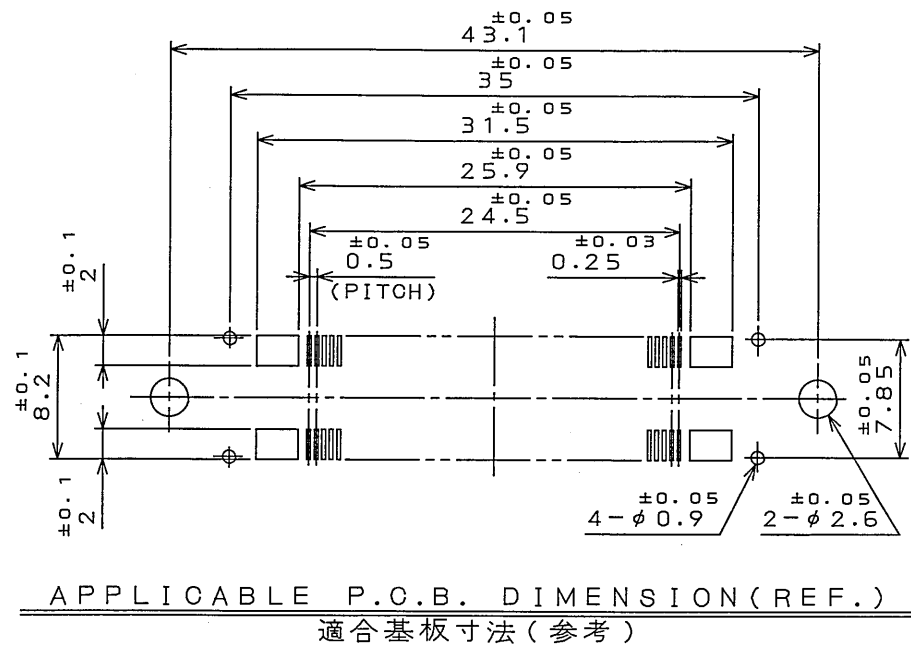


SJ100921
(ON ENIWAY) 台番図

版数 REV.	年月日 DATE	DCN NO.	変更内容 DESCRIPTION	製図 DR.	担当 CHK.	査閲 APPD.	承認 APPD.



NOTE 1. TERMINAL COPLANARITY IS 0.1mmMAX.
端子平坦度は0.1mm以下
2. SHORT CONTACT No.2,49,52,99



符号 NO.	名称 DESCRIPTION	個数 QTY.	材料 MATERIAL	仕上 FINISH	備考 REMARKS
6	POWER CONTACT	4	COPPER ALLOY	TERMINAL: (LEAD FREE)TIN/TIN ALLOY PLATING CONTACT AREA: Au(0.1μmMin)OVER NI	
5	NUT	2	STEEL	NICKEL PLATING	M2
4	SHELL	1	STEEL	Pd/NI PLATING	
3	INSULATOR	1	GLASS FILLED LCP		UL94V-0 BLACK
2	SHORT CONTACT	4	PHOSPHOR BRONZE	TERMINAL: (LEAD FREE)TIN/TIN ALLOY PLATING CONTACT AREA: Au(0.1μmMin)OVER NI	
1	LONG CONTACT	96	PHOSPHOR BRONZE	TERMINAL: (LEAD FREE)TIN/TIN ALLOY PLATING CONTACT AREA: Au(0.1μmMin)OVER NI	

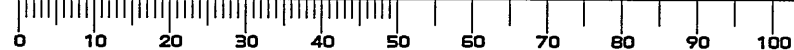
仕様書 (SPECIFICATION)		第1版 (ORIGINAL DATE)		尺度 (SCALE)		シリーズ (SERIES)		備考 (REMARKS)	
		18.Feb.2004		2:1		WD		日本航空電子工業株式会社	
製図 DR.		担当 CHK.		名称 (TITLE)				JAPAN AVIATION ELECTRONICS INDUSTRY, LTD.	
		T.MORITAKE		WD-100P4V					
				-VF120-N-PE					
				SHORT GUIDE					
				重量 (WEIGHT)					

公差 (DIMENSION)	角度 (ANGLES)
. ±0.8	×° ±
.X ±0.4	×°× ±
.XX ±0.1	
.XXX ±	

LEAD FREE この製品は鉛フリー品です

JAE CONNECTOR DIV. PROPRIETARY.
COPYRIGHT(C) 2004, JAPAN AVIATION ELECTRONICS INDUSTRY, LTD.

DOF-0-212E(03.08)



WISDOM承認

SIZE A3

版数 (REV.) 1