



Chipsmall Limited consists of a professional team with an average of over 10 year of expertise in the distribution of electronic components. Based in Hongkong, we have already established firm and mutual-benefit business relationships with customers from,Europe,America and south Asia,supplying obsolete and hard-to-find components to meet their specific needs.

With the principle of "Quality Parts,Customers Priority,Honest Operation,and Considerate Service",our business mainly focus on the distribution of electronic components. Line cards we deal with include Microchip,ALPS,ROHM,Xilinx,Pulse,ON,Everlight and Freescale. Main products comprise IC,Modules,Potentiometer,IC Socket,Relay,Connector.Our parts cover such applications as commercial,industrial, and automotives areas.

We are looking forward to setting up business relationship with you and hope to provide you with the best service and solution. Let us make a better world for our industry!



Contact us

Tel: +86-755-8981 8866 Fax: +86-755-8427 6832

Email & Skype: info@chipsmall.com Web: www.chipsmall.com

Address: A1208, Overseas Decoration Building, #122 Zhenhua RD., Futian, Shenzhen, China



MINI 1480/1550nm WDM/ISOLATOR HYBRID

Mini WDIH54 Series

Product Description

Oplink's WDIH is a combination of a 1480/1550(1585)nm filter and a 1550(1585)nm polarization insensitive optical isolator. The Mini WDIH is a low cost model with excellent performance including low insertion loss, high isolation, high return loss, and low polarization dependent loss (PDL). This product offers integrated solutions to EDFA applications by combining more functions into a very compact package. The product package dimension is about 3.0×30mm.

Oplink can provide customized designs to meet specialized feature applications. Also, Oplink offers modular assemblies that integrate other components to form a full function module or subsystem.



Performance Specification

| Mini WDIH54 Series | | Min | Typical | Max | Unit |
|--|------------------------------|--------------------------------|---------|-----|------|
| Operating Wavelength Range (λ_s) | | 1528 ~ 1564 or 1570 ~ 1604 | | | nm |
| Pump Channel Wavelength Range (λ_p) | | 1465 ~ 1495 | | | nm |
| Channel Isolation (over λ_s , 0~70°C, all SOP) | Single Stage | 21 | | | dB |
| | Dual Stage | 36 | | | |
| Isolation | Pump Channel @ λ_s | 15 | | | dB |
| | Signal Channel @ λ_p | 25 | | | |
| Insertion Loss (Over wavelength range and 0~70°C, all SOP) | Pump Channel | | 0.5 | | dB |
| | Signal Channel | Single Stage | 0.7 | | |
| | | Dual Stage | 0.9 | | |
| WDL | | 0.25 | | | dB |
| Return Loss | | ≥ 55 | | | dB |
| Polarization Dependent Loss (PDL) | Single Stage | 0.10 | | | dB |
| | Dual Stage | 0.15 | | | |
| Polarization Mode Dispersion (PMD) | Single Stage | 0.25 | | | ps |
| | Dual Stage | 0.05 | | | |
| Directivity | | ≥ 55 | | | dB |
| Operating Power Handling | | ≤ 500 | | | mW |
| Operating Temperature | | 0 to +70 | | | °C |
| Storage Temperature | | -40 to +85 | | | °C |
| Fiber Type | | SMF-28, 250 μ m Bare Fiber | | | |
| Package Dimension | | (Φ) 3.0 x (L) 30.0 | | | mm |

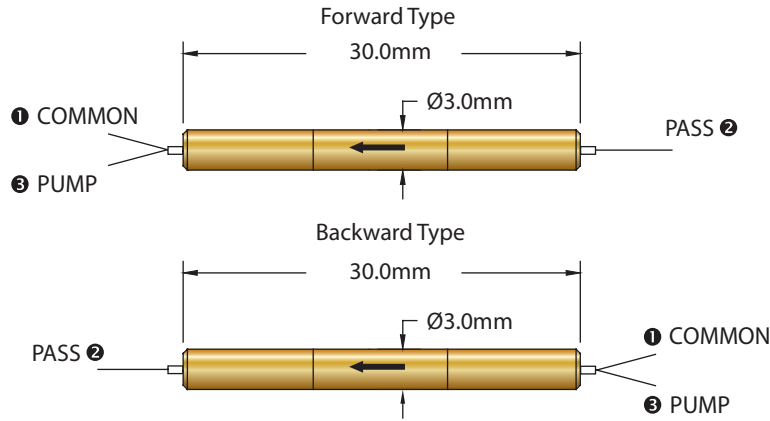
Features

- ◆ Wide Operating Wavelength Range
- ◆ Compact Size
- ◆ High Isolation
- ◆ Ultra Low PDL & PMD
- ◆ Highly Stable & Reliable
- ◆ Small Package Dimension
- ◆ Epoxy-free Optical Path

Applications

- ◆ EDFA
- ◆ Raman Amplifiers

Mechanical Drawing / Package Dimensions (dimension in mm)



Ordering Information

Oplink can provide a remarkable range of customized optical solutions. For detail, please contact Oplink's OEM design team or account manager for your requirements and ordering information (510) 933-7200.

