



Chipsmall Limited consists of a professional team with an average of over 10 year of expertise in the distribution of electronic components. Based in Hongkong, we have already established firm and mutual-benefit business relationships with customers from,Europe,America and south Asia,supplying obsolete and hard-to-find components to meet their specific needs.

With the principle of “Quality Parts,Customers Priority,Honest Operation,and Considerate Service”,our business mainly focus on the distribution of electronic components. Line cards we deal with include Microchip,ALPS,ROHM,Xilinx,Pulse,ON,Everlight and Freescale. Main products comprise IC,Modules,Potentiometer,IC Socket,Relay,Connector.Our parts cover such applications as commercial,industrial, and automotives areas.

We are looking forward to setting up business relationship with you and hope to provide you with the best service and solution. Let us make a better world for our industry!



## Contact us

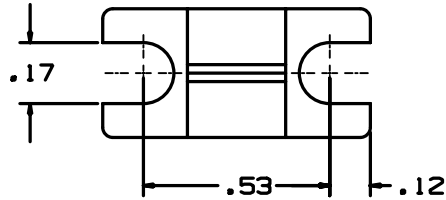
Tel: +86-755-8981 8866 Fax: +86-755-8427 6832

Email & Skype: info@chipsmall.com Web: www.chipsmall.com

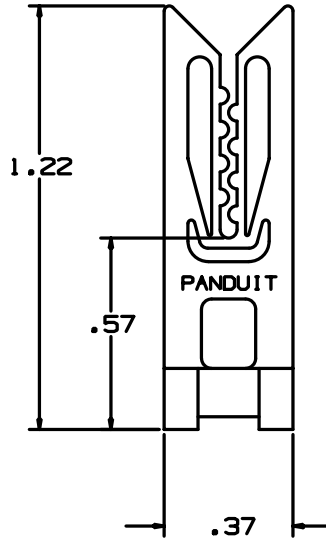
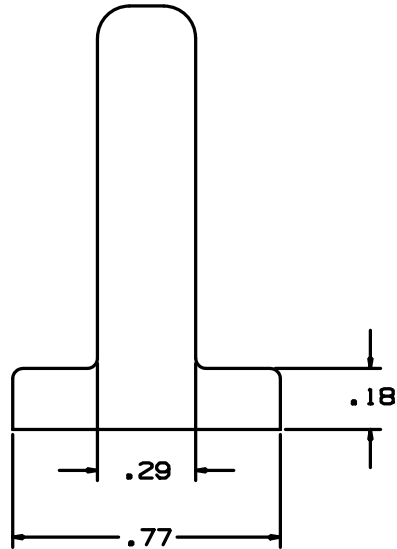
Address: A1208, Overseas Decoration Building, #122 Zhenhua RD., Futian, Shenzhen, China



THIS COPY IS PROVIDED ON A RESTRICTED BASIS AND IS NOT TO BE USED IN ANY WAY DETRIMENTAL TO THE INTERESTS OF PANDUIT CORP.



PANDUIT PART NUMBER*	WEIGHT lbs/100 pcs (g)/100 pcs	RANGE OF WIRE SIZES	REC'M. FASTENER
WEH-E8	.59 (267)	16 TO 28 A.W.G.	#8 (M4) SCREW



- NOTES:
- SEE CURRENT PRICE SHEET FOR PART NUMBER SUFFIX DESIGNATION FOR PACKAGE SIZE.
  - COLOR: BLACK

DIMENSIONS IN PARENTHESES ARE METRIC

CAD FILENAME/LAYERS G00239ET\_PB\_WEHE8\_01

**PANDUIT** CORP. TINLEY PARK, ILLINOIS

WIRE END HOLDER WEH-E8

UNLESS OTHERWISE SPECIFIED,  
DIMENSIONAL TOLERANCES ARE:  
(.X) ±0.05 (1.3) (.XXX) ±0.010 (0.25)  
(.XX) ±0.02 (0.5) ANGLES ± 5°

UNLESS OTHERWISE SPECIFIED,  
ALL DIMENSIONS ARE GIVEN  
IN INCHES, THIRD ANGLE PROJECTION.

REV	DATE	BY	CHK	DESCRIPTION	ECN	R	CUST	SUP
I	10/12/04	JAD		.77 DIM WAS .79	GB0239ET	1		
R	01/20/97	CGSM		INITIAL RELEASE	GB0239ET	R		

DRAWN BY  
CGSM  
DATE  
01/20/97  
CHK'D

MAT'L:  
ACETAL

SCALE  
2/1  
DRAWING NO.  
GB0239ET  
DWG  
SIZE  
A