



Chipsmall Limited consists of a professional team with an average of over 10 year of expertise in the distribution of electronic components. Based in Hongkong, we have already established firm and mutual-benefit business relationships with customers from,Europe,America and south Asia,supplying obsolete and hard-to-find components to meet their specific needs.

With the principle of “Quality Parts,Customers Priority,Honest Operation,and Considerate Service”,our business mainly focus on the distribution of electronic components. Line cards we deal with include Microchip,ALPS,ROHM,Xilinx,Pulse,ON,Everlight and Freescale. Main products comprise IC,Modules,Potentiometer,IC Socket,Relay,Connector.Our parts cover such applications as commercial,industrial, and automotives areas.

We are looking forward to setting up business relationship with you and hope to provide you with the best service and solution. Let us make a better world for our industry!



Contact us

Tel: +86-755-8981 8866 Fax: +86-755-8427 6832

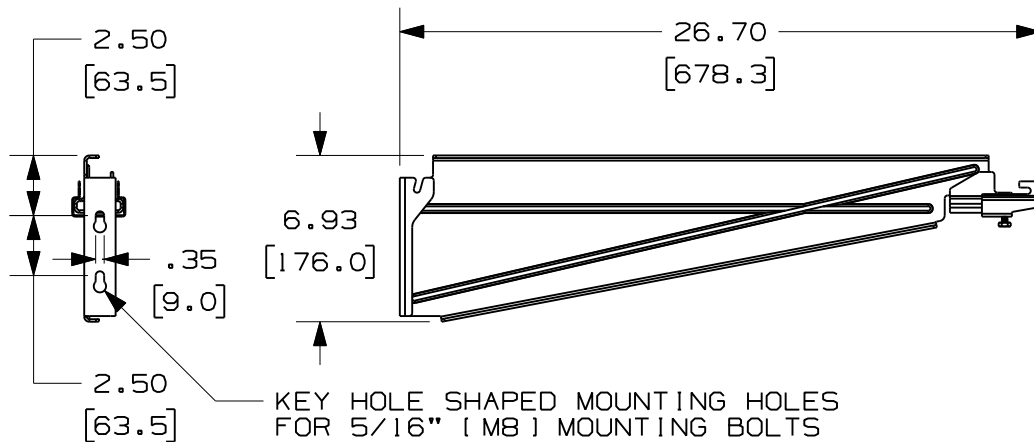
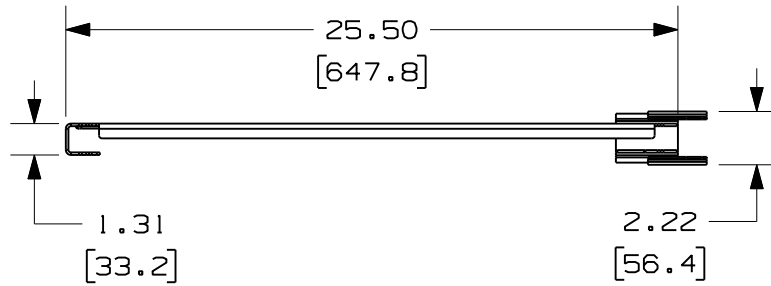
Email & Skype: info@chipsmall.com Web: www.chipsmall.com

Address: A1208, Overseas Decoration Building, #122 Zhenhua RD., Futian, Shenzhen, China



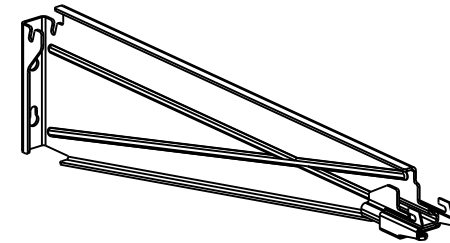
THIS COPY IS PROVIDED ON A RESTRICTED BASIS AND IS NOT TO BE USED IN ANY WAY DETRIMENTAL TO THE INTERESTS OF PANDUIT CORP.

PANDUIT PART NUMBER	WEIGHT
WGCB24	4.68 LBS (2123 g)



NOTES:

- SEE CURRENT CATALOG FOR PART NUMBER DESIGNATION FOR TYPE AND COLOR.
- EACH PACKAGE CONSISTS OF:
 (1) WYR-GRID CANTILEVER BRACKET
 (1) WYR-GRID BRACKET CLIP
 (1) 1/4-20 X 3/8 HEX HEAD CAP SCREW
- WYR-GRID CANTILEVER BRACKETS MOUNT TO A VERTICAL SURFACE, SUCH AS A WALL, TO SUPPORT WYR-GRID PATHWAY.
- DIMENSIONS IN PARENTHESES ARE METRIC



A

CAD FILENAME/LAYERS 09D017AJ_DC_WGCB24/04C

PANDUIT CORP. TINLEY PARK, ILLINOIS

WYR-GRID 24" CANTILEVER BRACKET ASSEMBLY (WGCB24)
CUSTOMER DRAWING

UNLESS OTHERWISE SPECIFIED, DIMENSIONAL TOLERANCES ARE: (.X) ± (.XXX) ± (.XX) ± .05 (1.3) ANGLES ±	UNLESS OTHERWISE SPECIFIED, ALL DIMENSIONS ARE GIVEN IN INCHES, THIRD ANGLE PROJECTION.
--	---

REV	DATE	BY	CHK	DESCRIPTION	ECN	CHK	CUST	SUP
03	1-14-11	ERK	DWW	RELEASED TO PRODUCTION	09D017AJ-DC	RN	RN	
02	5-26-10	JAHA	DWW	A. DRAWING REVISED AND REDRAWN See Drawings 09D017AH-DC & 09D017A1-DC				

DRAWN BY JAHA	MAT'L: STEEL	SCALE NONE
DATE 5-26-10		DRAWING NO. 09D017AJ-DC
CHK'D DWW		DWG A SIZE