



Chipsmall Limited consists of a professional team with an average of over 10 year of expertise in the distribution of electronic components. Based in Hongkong, we have already established firm and mutual-benefit business relationships with customers from,Europe,America and south Asia,supplying obsolete and hard-to-find components to meet their specific needs.

With the principle of “Quality Parts,Customers Priority,Honest Operation,and Considerate Service”,our business mainly focus on the distribution of electronic components. Line cards we deal with include Microchip,ALPS,ROHM,Xilinx,Pulse,ON,Everlight and Freescale. Main products comprise IC,Modules,Potentiometer,IC Socket,Relay,Connector.Our parts cover such applications as commercial,industrial, and automotives areas.

We are looking forward to setting up business relationship with you and hope to provide you with the best service and solution. Let us make a better world for our industry!



Contact us

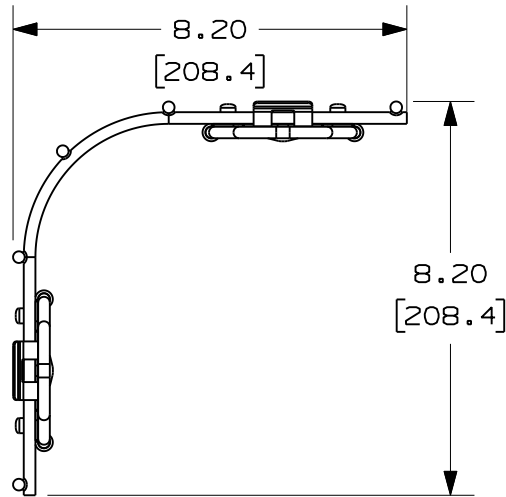
Tel: +86-755-8981 8866 Fax: +86-755-8427 6832

Email & Skype: info@chipsmall.com Web: www.chipsmall.com

Address: A1208, Overseas Decoration Building, #122 Zhenhua RD., Futian, Shenzhen, China

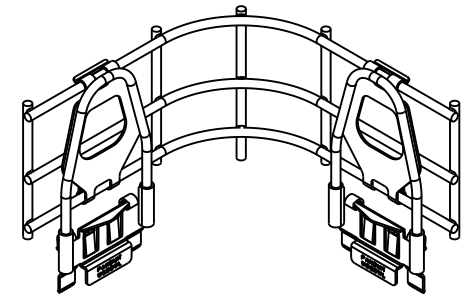
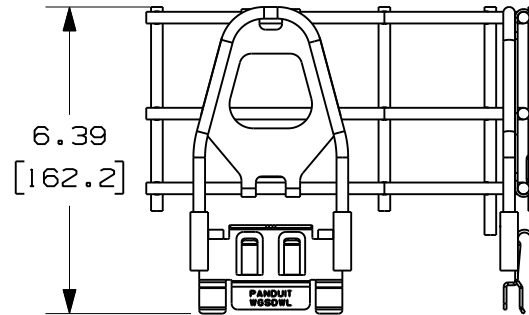
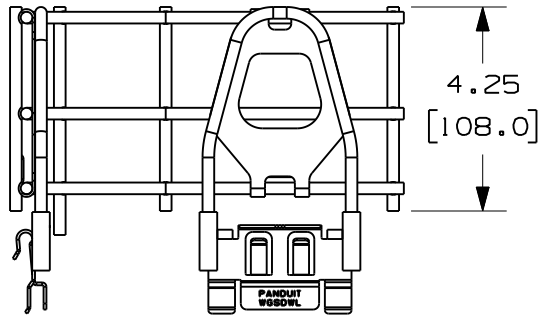


THIS COPY IS PROVIDED ON A RESTRICTED BASIS AND IS NOT TO BE USED IN ANY WAY DETRIMENTAL TO THE INTERESTS OF PANDUIT CORP.



PANDUIT PART NUMBER	WEIGHT
WGINTBRC4	1.64 LB/EACH (743.9 g/EACH)

- PANDUIT PART NUMBER WGINTBRC4 INCLUDES:
1. SEE CURRENT CATALOG FOR PART NUMBER DESIGNATION FOR TYPE AND COLOR.
 2. ONE (1) WYR-GRID INTERSECTION BEND RADIUS CONTROL 4" ASSEMBLY
 3. DIMENSIONS IN PARENTHESES ARE METRIC



CAD FILENAME/LAYERS 09D017AQ_DC/03A WGINTBRC4

PANDUIT CORP. TINLEY PARK, ILLINOIS

WYR-GRID INTERSECTION BEND RADIUS CONTROL 4" (WGINTBRC4)

CUSTOMER DRAWING

UNLESS OTHERWISE SPECIFIED, DIMENSIONAL TOLERANCES ARE:

(.X) ± (.XXX) ±
(.XX) ± .05 (1.3) ANGLES ±

UNLESS OTHERWISE SPECIFIED,

ALL DIMENSIONS ARE GIVEN IN INCHES, THIRD ANGLE PROJECTION.

DRAWN BY JAHA

MAT'L:

SCALE NONE

DATE 8-13-10

SEE NOTES ABOVE

DRAWING NO.

09D017AQ-DC

CHK'D SL

DWG A SIZE

REV	DATE	BY	CHK	DESCRIPTION	ECN	CHK	CUST	SUP
R	8-13-10	JAHA	SL	RELEASED TO PRODUCTION	09D017AQ-DC	RN	RN	