



Chipsmall Limited consists of a professional team with an average of over 10 year of expertise in the distribution of electronic components. Based in Hongkong, we have already established firm and mutual-benefit business relationships with customers from,Europe,America and south Asia,supplying obsolete and hard-to-find components to meet their specific needs.

With the principle of “Quality Parts,Customers Priority,Honest Operation,and Considerate Service”,our business mainly focus on the distribution of electronic components. Line cards we deal with include Microchip,ALPS,ROHM,Xilinx,Pulse,ON,Everlight and Freescale. Main products comprise IC,Modules,Potentiometer,IC Socket,Relay,Connector.Our parts cover such applications as commercial,industrial, and automotives areas.

We are looking forward to setting up business relationship with you and hope to provide you with the best service and solution. Let us make a better world for our industry!



Contact us

Tel: +86-755-8981 8866 Fax: +86-755-8427 6832

Email & Skype: info@chipsmall.com Web: www.chipsmall.com

Address: A1208, Overseas Decoration Building, #122 Zhenhua RD., Futian, Shenzhen, China



THIS COPY IS PROVIDED ON A RESTRICTED BASIS AND IS NOT TO BE USED IN ANY WAY DETRIMENTAL TO THE INTERESTS OF PANDUIT CORP.

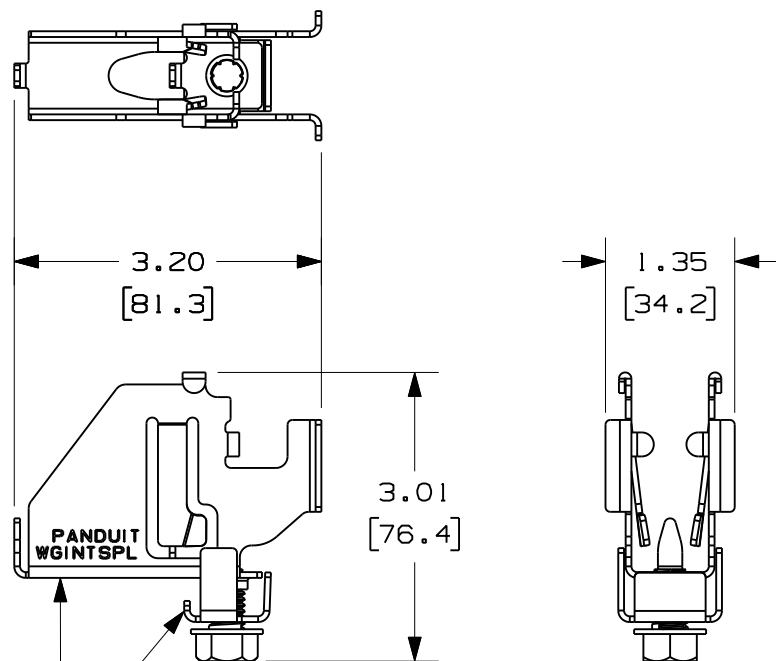
PANDUIT PART NUMBER	APPROXIMATE WEIGHT OF A PAIR OF INTERSECTION SPLICES
WGINTSPL	.4916 (222g)

NOTES:

1. SEE CURRENT CATALOG FOR ADDITIONAL PART SUFFIXES TO INDICATE PACKAGE QUANTITY.
2. THE WYR-GRID INTERSECTION SPLICE ASSEMBLY IS USED FOR SPLICING WYR-GRID PATHWAY SECTIONS IN "T" AND "CROSS" CONFIGURATIONS.
3. THE WYR-GRID INTERSECTION SPLICE ASSEMBLY PACKAGE CONTAINS A PAIR OF SPLICES.

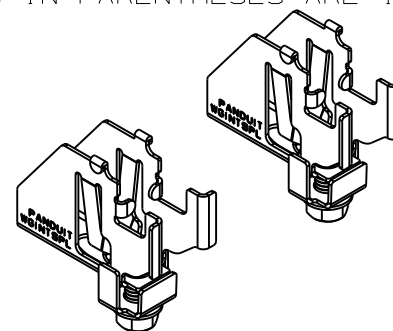
EACH SPLICE CONSISTS OF:
 ONE (1) WYR-GRID INTERSECTION SPLICE,
 ONE (1) WYR-GRID INTERSECTION CLIP,
 ONE (1) 3/8-16 X 5/8 HEX HEAD WASHER HEAD TAPPING SCREW (GREEN).

4. DIMENSIONS IN PARENTHESES ARE IN METRIC.



INTERSECTION SPLICE AND INTERSECTION CLIP ARE MADE OF 16 GAUGE STEEL. REFERENCE - .060" [1.52] THICK.

EACH WGINTSPL PACKAGE CONTAINS A PAIR OF THE ABOVE ASSEMBLY.



CAD FILENAME/LAYERS		09D017AG-DC_WGINTSPL/02B	
<h1>PANDUIT</h1> CORP. TINLEY PARK, ILLINOIS			
WYR-GRID INTERSECTION SPLICE ASSEMBLY (WGINTSPL) CUSTOMER DRAWING			
UNLESS OTHERWISE SPECIFIED, DIMENSIONAL TOLERANCES ARE:		UNLESS OTHERWISE SPECIFIED, ALL DIMENSIONS ARE GIVEN IN INCHES, THIRD ANGLE PROJECTION.	
(.X) ±		(.XXX) ±	
(.XX) ±		ANGLES ±	
REV	DATE	BY	CHK
I	1/17/11	JAHA	DWW
R	5/10/10	JCST	DWW
DESCRIPTION		ECN	R CUST SUP
RELEASED TO PRODUCTION		09D017AG-DC	RN
DRAWING RELEASED		-----	--- ---

DRAWN BY JCST	MAT'L; AS NOTED ABOVE	SCALE .5X
DATE 05/10/10		DRAWING NO.
CHK'D DWW		09D017AG-DC
		DWG A SIZE