



Chipsmall Limited consists of a professional team with an average of over 10 year of expertise in the distribution of electronic components. Based in Hongkong, we have already established firm and mutual-benefit business relationships with customers from,Europe,America and south Asia,supplying obsolete and hard-to-find components to meet their specific needs.

With the principle of "Quality Parts,Customers Priority,Honest Operation,and Considerate Service",our business mainly focus on the distribution of electronic components. Line cards we deal with include Microchip,ALPS,ROHM,Xilinx,Pulse,ON,Everlight and Freescale. Main products comprise IC,Modules,Potentiometer,IC Socket,Relay,Connector.Our parts cover such applications as commercial,industrial, and automotives areas.

We are looking forward to setting up business relationship with you and hope to provide you with the best service and solution. Let us make a better world for our industry!



Contact us

Tel: +86-755-8981 8866 Fax: +86-755-8427 6832

Email & Skype: info@chipsmall.com Web: www.chipsmall.com

Address: A1208, Overseas Decoration Building, #122 Zhenhua RD., Futian, Shenzhen, China

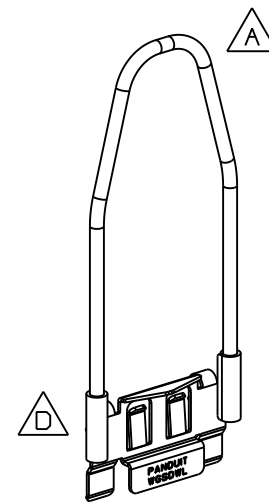
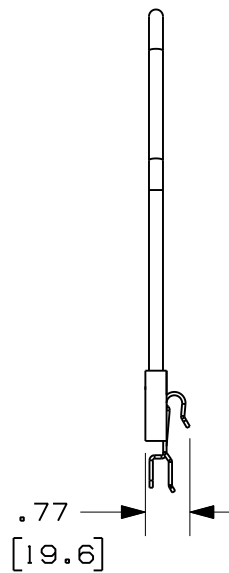
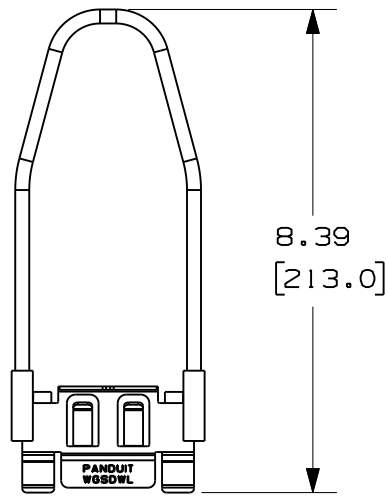
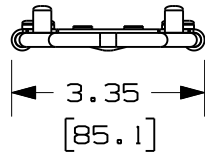


THIS COPY IS PROVIDED ON A RESTRICTED BASIS AND IS NOT TO BE USED IN ANY WAY DETRIMENTAL TO THE INTERESTS OF PANDUIT CORP.

PANDUIT PART NUMBER	WEIGHT
WGSDWL6	.35 LB/EACH 158.8 g/EACH

NOTES:

- SEE CURRENT CATALOG FOR ADDITIONAL PART SUFFIXES TO INDICATE PART FINISH AND/OR PACKAGING QUANTITY.
- DIMENSIONS IN PARENTHESIS ARE METRIC.



CAD FILENAME/LAYERS 09D017DT_DC/01A WGSDWL6

PANDUIT CORP. TINLEY PARK, ILLINOIS

B WYR-GRID CABLE TRAY
6" SIDE WALL (WGSDWL6)
CUSTOMER DRAWING

--	---	--	--	RELEASED TO PRODUCTION	09D017DT-DC	RN	RN				
3	8-13-10	JAHA	SL	D. REVISED PART GEOMETRY							
2	5-17-10	JAHA	SL	C. REVISED TOLERANCE B. REVISED PART NAME						C	
1	5-13-10	JAHA	SL	A. REMOVED CHAMFER FROM WIRE FORM							
R	5-5-10	JAHA	SL	DRAWING RELEASED							
REV	DATE	BY	CHK	DESCRIPTION	ECN	CHK	CUST	SUP			

UNLESS OTHERWISE SPECIFIED, DIMENSIONAL TOLERANCES ARE: (.X) ± .05 (1.3) ANGLES ±		UNLESS OTHERWISE SPECIFIED, ALL DIMENSIONS ARE GIVEN IN INCHES, THIRD ANGLE PROJECTION.	
DRAWN BY JAHA	MAT'L:	SCALE NONE	DWG A
DATE 5-5-10	SEE NOTES ABOVE	DRAWING NO. 09D017DT-DC	SIZE A
CHK'D SL			