



Chipsmall Limited consists of a professional team with an average of over 10 year of expertise in the distribution of electronic components. Based in Hongkong, we have already established firm and mutual-benefit business relationships with customers from,Europe,America and south Asia,supplying obsolete and hard-to-find components to meet their specific needs.

With the principle of “Quality Parts,Customers Priority,Honest Operation,and Considerate Service”,our business mainly focus on the distribution of electronic components. Line cards we deal with include Microchip,ALPS,ROHM,Xilinx,Pulse,ON,Everlight and Freescale. Main products comprise IC,Modules,Potentiometer,IC Socket,Relay,Connector.Our parts cover such applications as commercial,industrial, and automotives areas.

We are looking forward to setting up business relationship with you and hope to provide you with the best service and solution. Let us make a better world for our industry!



## Contact us

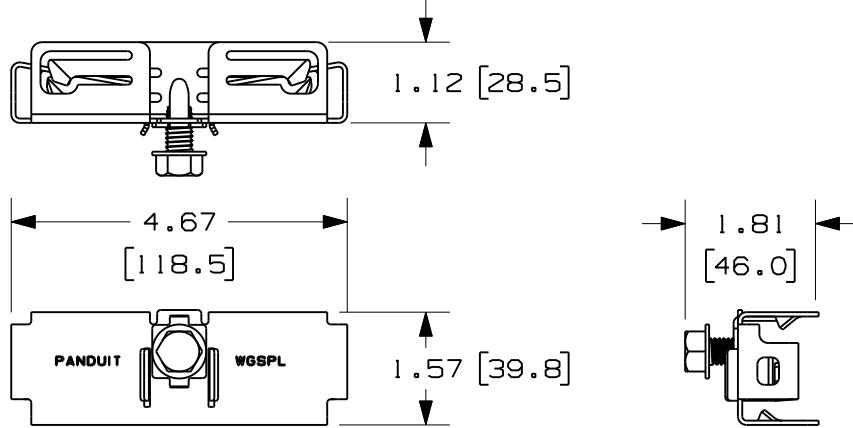
Tel: +86-755-8981 8866 Fax: +86-755-8427 6832

Email & Skype: info@chipsmall.com Web: www.chipsmall.com

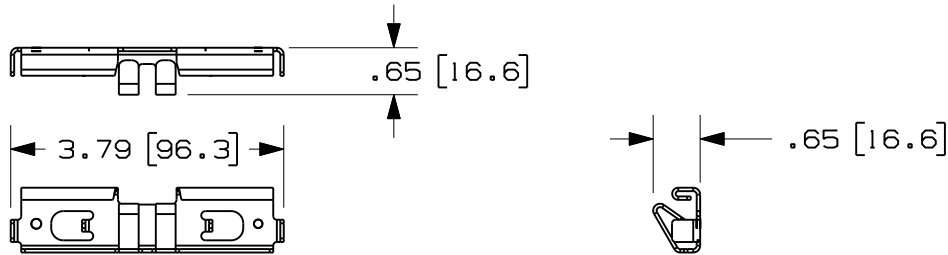
Address: A1208, Overseas Decoration Building, #122 Zhenhua RD., Futian, Shenzhen, China



THIS COPY IS PROVIDED ON A RESTRICTED BASIS AND IS NOT TO BE USED IN ANY WAY DETRIMENTAL TO THE INTERESTS OF PANDUIT CORP.



WGSPL SPLICE CONNECTOR



WGSPL CENTER CONNECTOR

EACH WGSPL2430 PACKAGE CONTAINS A PAIR OF THE WGSPL SPLICE CONNECTORS AND A PAIR OF THE WGSPL CENTER CONNECTORS.

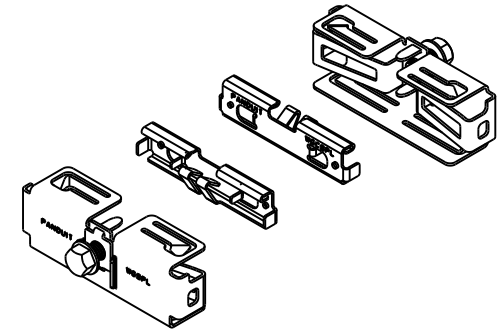
PANDUIT PART NUMBER	APPROXIMATE WEIGHT
WGSPL2430	.83 lb (375g)

NOTES:

- SEE CURRENT CATALOG FOR ADDITIONAL PART SUFFIXES TO INDICATE PACKAGE QUANTITY.
- THE WYR-GRID SPLICE CONNECTOR IS USED TO CONNECT WYR-GRID PATHWAY SECTIONS END TO END TO CREATE A CONTINUOUS PATHWAY.
- THE WYR-GRID SPLICE CONNECTOR PACKAGE CONTAINS A PAIR OF SPLICE CONNECTORS, AND A PAIR OF CENTER CONNECTORS.

EACH SPLICE CONNECTOR CONSISTS OF:  
 ONE (1) WYR-GRID SPLICE CONNECTOR  
 ONE (1) 3/8-16 X 5/8 HEX HEAD WASHER HEAD TAPPING SCREW (GREEN)

- DIMENSIONS IN PARENTHESES ARE METRIC.



CAD FILENAME/LAYERS 09D017CF\_DC\_WGSPL2430/03B

PANDUIT CORP. TINLEY PARK, ILLINOIS  
 WYR-GRID SPLICE CONNECTOR  
 FOR 24" & 30" WIDTHS (WGSPL2430)  
 CUSTOMER DRAWING

UNLESS OTHERWISE SPECIFIED, DIMENSIONAL TOLERANCES ARE:  
 (.X) ± (.XXX) ±  
 (.XX) ±.05 (1.3) ANGLES ±

UNLESS OTHERWISE SPECIFIED, ALL DIMENSIONS ARE GIVEN IN INCHES, THIRD ANGLE PROJECTION.

REV	DATE	BY	CHK	DESCRIPTION	ECN	R	CUST	SUP
I	1/14/11	ERK	DWW	RELEASED TO PRODUCTION	09D017CF-DC		RN	
R	5/24/10	JCST	DWW	DRAWING RELEASED	-----	--		

DRAWN BY JCST	MAT'L: STEEL	SCALE .375X
DATE 05/24/10		DRAWING NO. 09D017CF-DC
CHK'D DWW		DWG A SIZE