



Chipsmall Limited consists of a professional team with an average of over 10 year of expertise in the distribution of electronic components. Based in Hongkong, we have already established firm and mutual-benefit business relationships with customers from,Europe,America and south Asia,supplying obsolete and hard-to-find components to meet their specific needs.

With the principle of “Quality Parts,Customers Priority,Honest Operation,and Considerate Service”,our business mainly focus on the distribution of electronic components. Line cards we deal with include Microchip,ALPS,ROHM,Xilinx,Pulse,ON,Everlight and Freescale. Main products comprise IC,Modules,Potentiometer,IC Socket,Relay,Connector.Our parts cover such applications as commercial,industrial, and automotives areas.

We are looking forward to setting up business relationship with you and hope to provide you with the best service and solution. Let us make a better world for our industry!



## Contact us

Tel: +86-755-8981 8866 Fax: +86-755-8427 6832

Email & Skype: info@chipsmall.com Web: www.chipsmall.com

Address: A1208, Overseas Decoration Building, #122 Zhenhua RD., Futian, Shenzhen, China





# For Use with *PANDUIT* *Wyr-Grid* PATHWAY SYSTEMS

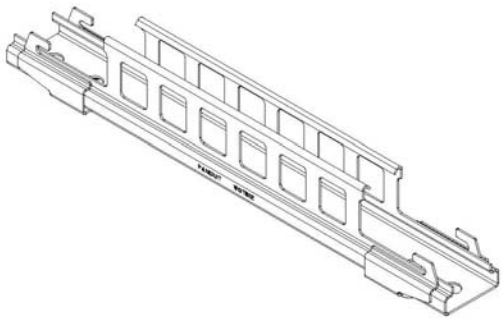
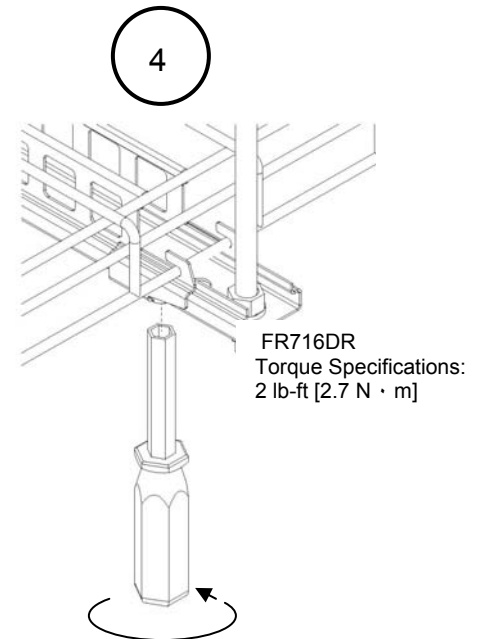
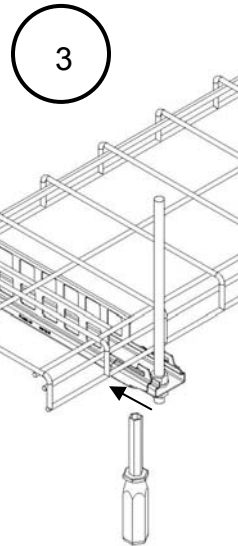
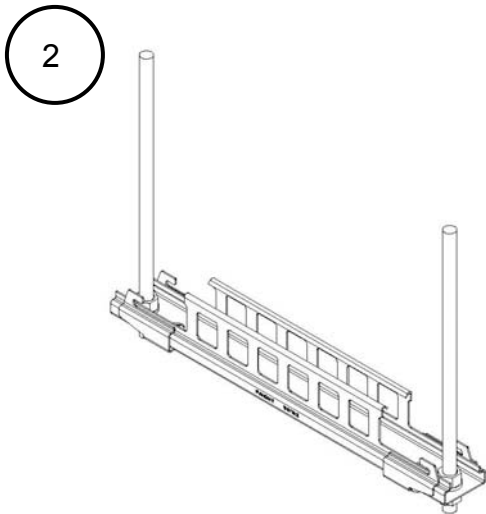
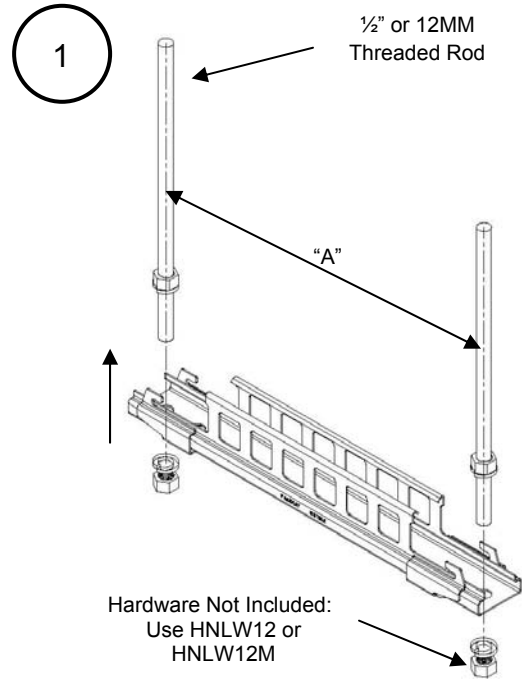
## Wyr-Grid TRAPEZE BRACKET

Panduit Part Number: WGTB12\*\*, WGTB18\*\*, WGTB24\*\*, WGTB30\*\*.

### INSTALLATION INSTRUCTIONS

© 2010 PANDUIT Corp.

PANDUIT CATALOG NUMBER	DIM "A"	Wyr-Grid PATHWAY
WGTB12 **	15"	WG12**10
WGTB18 **	21"	WG18**10
WGTB24 **	27"	WG24**10
WGTB30 **	33"	WG30**10

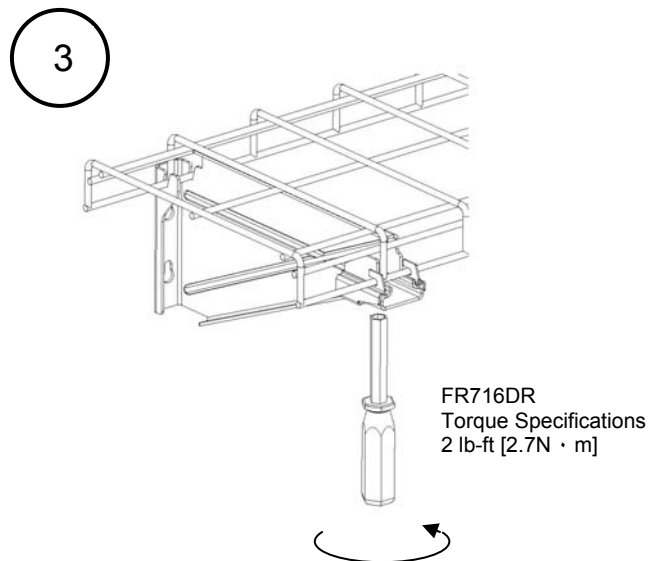
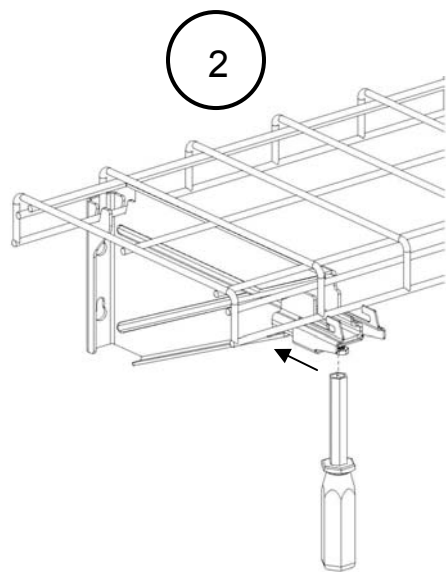
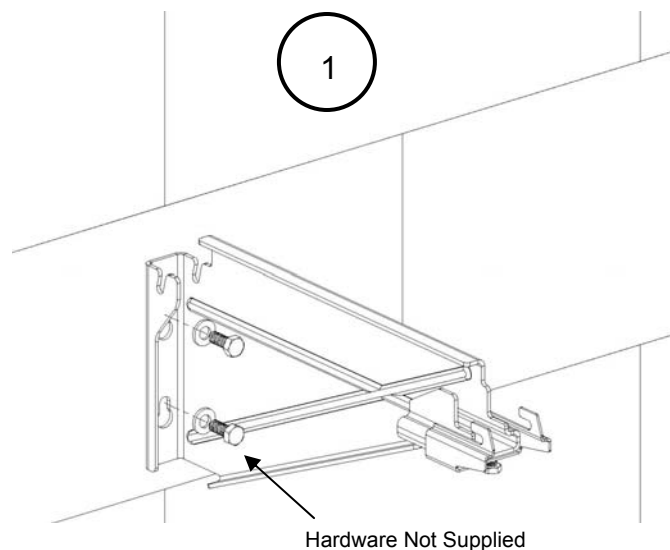
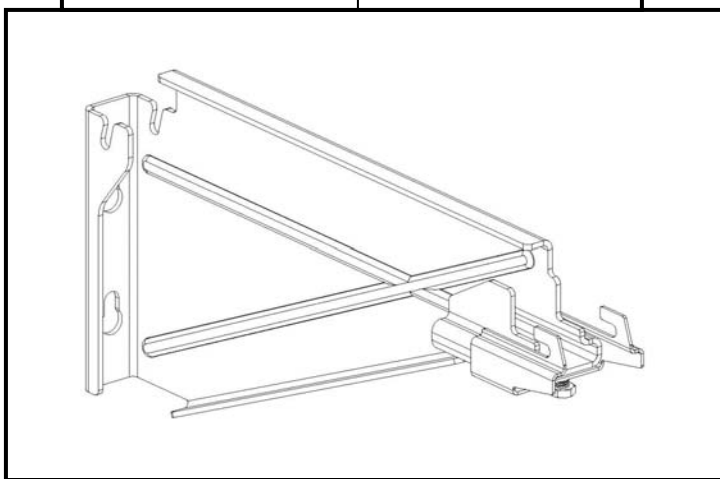
For Technical Assistance, Call: 800-777-3300

# Wyr Grid CANTILEVER BRACKET

PANDUIT PART NUMBER: WGCB12\*\*, WGCB18\*\*, WGCB24\*\*.

## INSTALLATION INSTRUCTIONS

PANDUIT CATALOG NUMBER	Wyr-Grid PATHWAY
WGCB12**	WG12**10
WGCB18**	WG18**10
WGCB24**	WG24**10



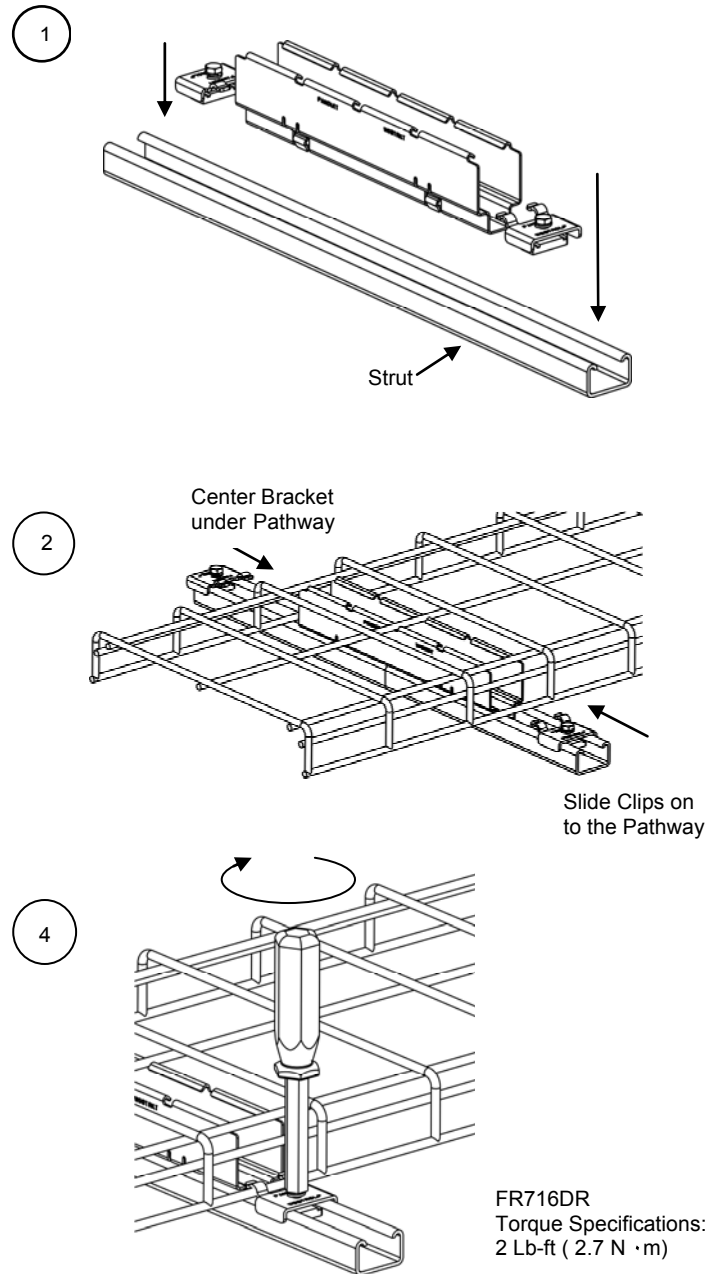
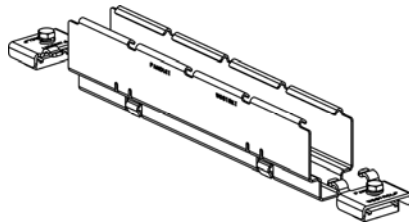
For Technical Assistance, Call: 800-777-3300

# Wyr-Grid Strut Bracket Kit

Panduit Part Number: WGSTRKT\*\*

## INSTALLATION INSTRUCTIONS

PANDUIT CATALOG NUMBER	Wyr-Grid PATHWAY
WGSTRKT**	WG12**10 WG18**10 WG24**10 WG30**10



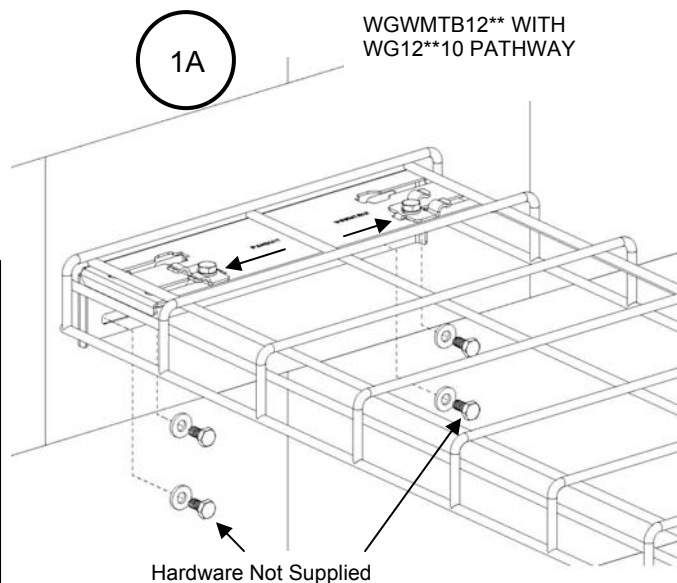
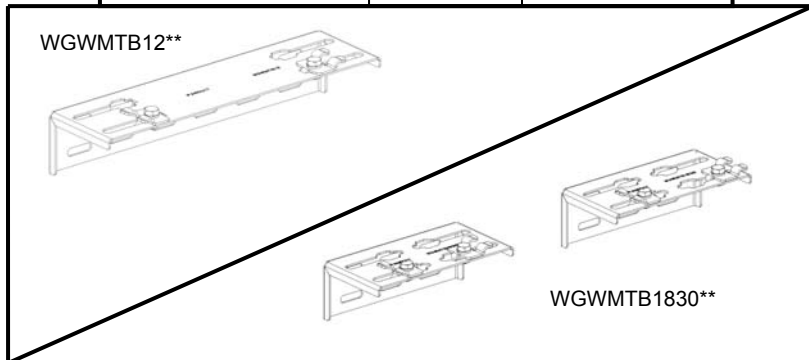
For Technical Assistance, Call: 800-777-3300

# Wyr-Grid WALL MOUNT

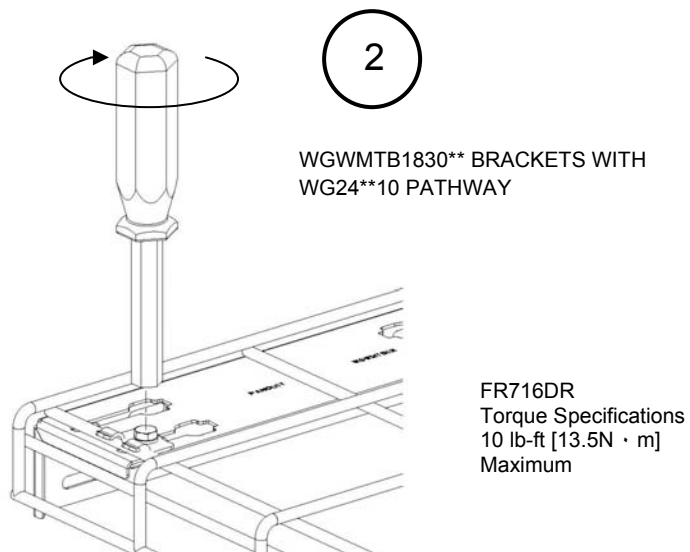
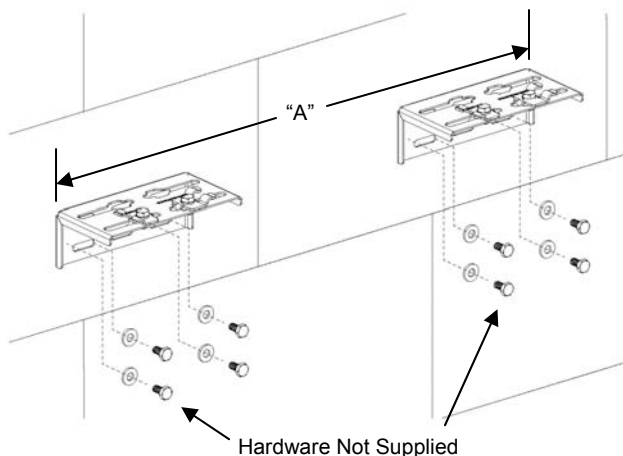
Panduit Part Number : WGWMTB12\*\*, WGWMTB1830\*\*

## INSTALLATION INSTRUCTIONS

PANDUIT CATALOG NUMBER	DIM "A"	Wyr-Grid PATHWAY
WGWMTB12**	N/A	WG12**10
WGWMTB1830**	16.5"	WG18**10
	21.75"	WG24**10
	27"	WG30**10



1B



WORLDWIDE SUBSIDIARIES AND SALES OFFICES

Instruction Sheet RW272

18900 Panduit Drive  
Tinley Park, IL 60487  
Web Site: [www.panduit.com](http://www.panduit.com)

**PANDUIT**<sup>®</sup>  
RACK SYSTEMS DIVISION

Fax: 708-532-1811  
Technical Support: 800-777-3300  
E-mail: [cs@panduit.com](mailto:cs@panduit.com)