



Chipsmall Limited consists of a professional team with an average of over 10 year of expertise in the distribution of electronic components. Based in Hongkong, we have already established firm and mutual-benefit business relationships with customers from,Europe,America and south Asia,supplying obsolete and hard-to-find components to meet their specific needs.

With the principle of "Quality Parts,Customers Priority,Honest Operation,and Considerate Service",our business mainly focus on the distribution of electronic components. Line cards we deal with include Microchip,ALPS,ROHM,Xilinx,Pulse,ON,Everlight and Freescale. Main products comprise IC,Modules,Potentiometer,IC Socket,Relay,Connector.Our parts cover such applications as commercial,industrial, and automotives areas.

We are looking forward to setting up business relationship with you and hope to provide you with the best service and solution. Let us make a better world for our industry!



## Contact us

Tel: +86-755-8981 8866 Fax: +86-755-8427 6832

Email & Skype: info@chipsmall.com Web: www.chipsmall.com

Address: A1208, Overseas Decoration Building, #122 Zhenhua RD., Futian, Shenzhen, China

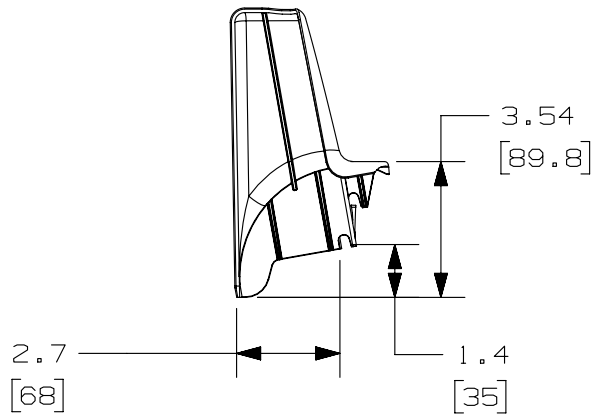
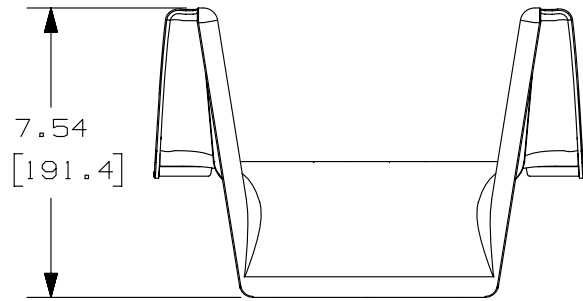
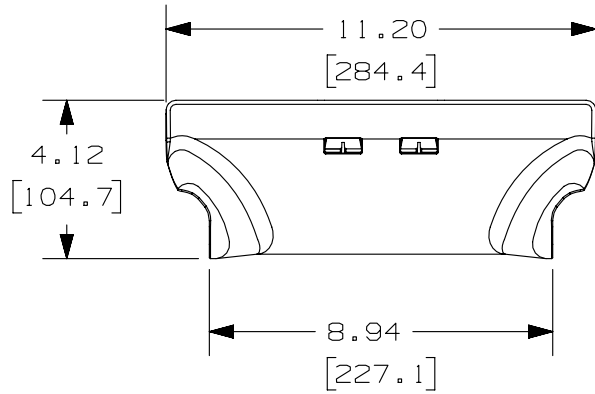


THIS COPY IS PROVIDED ON A RESTRICTED BASIS AND IS NOT TO BE USED IN ANY WAY DETRIMENTAL TO THE INTERESTS OF PANDUIT CORP.

NOTES:

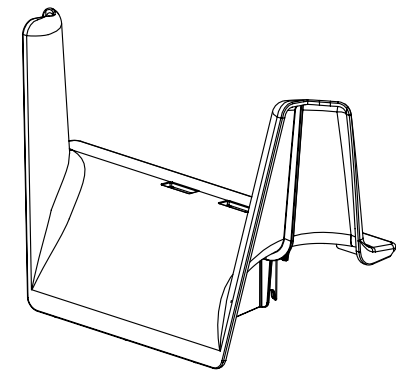
1. SEE CURRENT CATALOG FOR ADDITIONAL PART SUFFIXES TO INDICATE PACKAGE QUANTITY.
2. FINISH COLOR: BLACK
3. DIMENSIONS IN PARENTHESES ARE METRIC..

PANDUIT PART NUMBER	WEIGHT
WGSWF4	0.52 LB/EACH (234 g/EACH )



APPROXIMATE DISTANCE FROM SIDE OF WYR-GRID PATHWAY

APPROXIMATE DISTANCE FROM BOTTOM OF WYR-GRID PATHWAY



TITLE		<b>WYR-GRID 4" SIDE WATERFALL (WGSWF4)</b>	
CUSTOMER DRAWING			
ITEM REVISION NAME		10D145BB/00	
DATASET FILE NAME		10D145BB_DC/00A_WGSWF4	
UNLESS OTHERWISE SPECIFIED, DIMENSIONAL TOLERANCES ARE: IN ( mm )			
.X ± .XX ±		.XXX ± ANGLES ±	
		THIRD ANGLE PROJECTION	
DRAWN BY		SSP	
DATE		02-12-13	
CHK		EB	
SCALE		NONE	
DRAWING NUMBER:		10D145BB-DC	
SHT 1 OF 1		A	

REV	DATE	BY	CHK	APR	DESCRIPTION	ECN
R	02-12-13	SSP	EB	RN	RELEASED TO PRODUCTION	10D145BB-DC

D10100DA/12