



Chipsmall Limited consists of a professional team with an average of over 10 year of expertise in the distribution of electronic components. Based in Hongkong, we have already established firm and mutual-benefit business relationships with customers from,Europe,America and south Asia,supplying obsolete and hard-to-find components to meet their specific needs.

With the principle of “Quality Parts,Customers Priority,Honest Operation,and Considerate Service”,our business mainly focus on the distribution of electronic components. Line cards we deal with include Microchip,ALPS,ROHM,Xilinx,Pulse,ON,Everlight and Freescale. Main products comprise IC,Modules,Potentiometer,IC Socket,Relay,Connector.Our parts cover such applications as commercial,industrial, and automotives areas.

We are looking forward to setting up business relationship with you and hope to provide you with the best service and solution. Let us make a better world for our industry!



Contact us

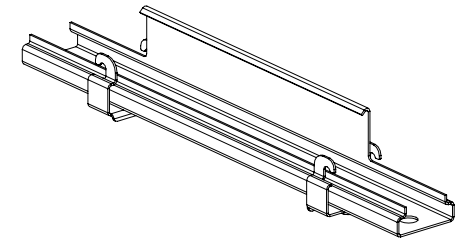
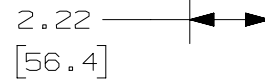
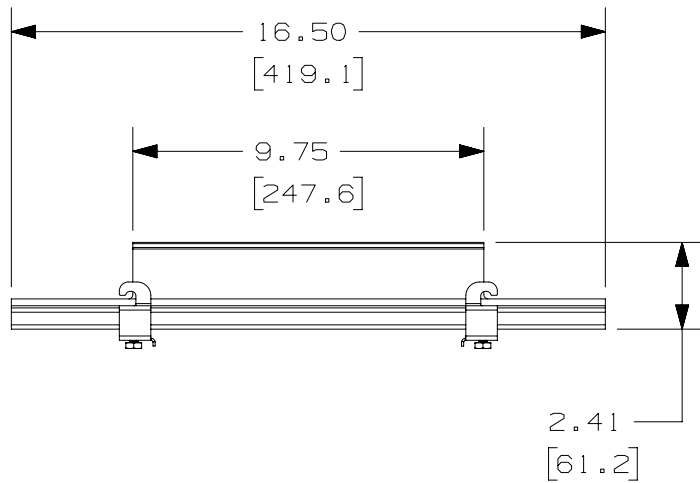
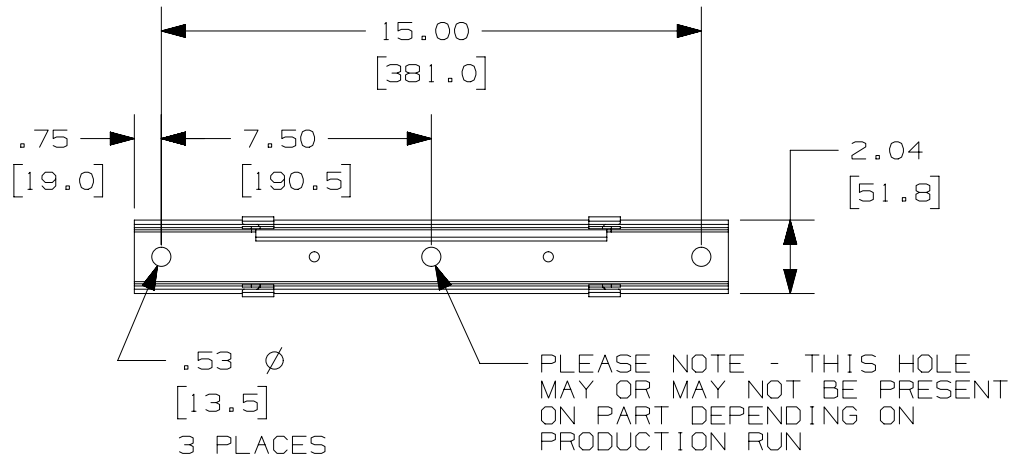
Tel: +86-755-8981 8866 Fax: +86-755-8427 6832

Email & Skype: info@chipsmall.com Web: www.chipsmall.com

Address: A1208, Overseas Decoration Building, #122 Zhenhua RD., Futian, Shenzhen, China



THIS COPY IS PROVIDED ON A RESTRICTED BASIS AND IS NOT TO BE USED IN ANY WAY DETRIMENTAL TO THE INTERESTS OF PANDUIT CORP.



PANDUIT PART NUMBER	WEIGHT
WGTBS12	1.53 LBS (694 g)

NOTES:

- SEE CURRENT CATALOG FOR PART NUMBER DESIGNATION FOR TYPE AND COLOR.
- EACH PACKAGE CONSISTS OF:
 (1) WYR-GRID TRAPEZE BRACKET
 (2) WYR-GRID TRAPEZE BRACKET CLIPS
 (3) 1/4-20 X 3/8 HEX HEAD CAP SCREWS
- WYR-GRID TRAPEZE BRACKETS SUPPORT WYR-GRID PATHWAY SUSPENDED FROM 1/2" (M12) THREADED RODS.
- DIMENSIONS IN PARENTHESES ARE METRIC

REV	DATE	BY	CHK	APR	DESCRIPTION	ECN
01A	3-09-15	PBS	DWR		ADDED CENTER MOUNTING HOLE AND NOTE	V09000HH
R	06-17-13	SSP	DWW	RN	RELEASED TO PRODUCTION	12D345AA-DC

TITLE		WYR-GRID TRAPEZE BRACKET 12" (WGTBS12)	
		CUSTOMER DRAWING	
ITEM REVISION NAME		12D345AA/01	
DATASET FILE NAME		12D345AA_DC/01A	
UNLESS OTHERWISE SPECIFIED, DIMENSIONAL TOLERANCES ARE: IN (mm)		PANDUIT	
.X ± .xxx ± .xx ± .05 (1.3) ANGLES ±			
		THIRD ANGLE PROJECTION	
DRAWN BY		MATERIAL:	
SSP		STEEL	
DATE		DRAWING NUMBER:	
06-17-13		12D345AA-DC	
CHK		SHT 1 OF 1	
DWW		A	
SCALE			
NONE			