



Chipsmall Limited consists of a professional team with an average of over 10 year of expertise in the distribution of electronic components. Based in Hongkong, we have already established firm and mutual-benefit business relationships with customers from,Europe,America and south Asia,supplying obsolete and hard-to-find components to meet their specific needs.

With the principle of “Quality Parts,Customers Priority,Honest Operation,and Considerate Service”,our business mainly focus on the distribution of electronic components. Line cards we deal with include Microchip,ALPS,ROHM,Xilinx,Pulse,ON,Everlight and Freescale. Main products comprise IC,Modules,Potentiometer,IC Socket,Relay,Connector.Our parts cover such applications as commercial,industrial, and automotives areas.

We are looking forward to setting up business relationship with you and hope to provide you with the best service and solution. Let us make a better world for our industry!



Contact us

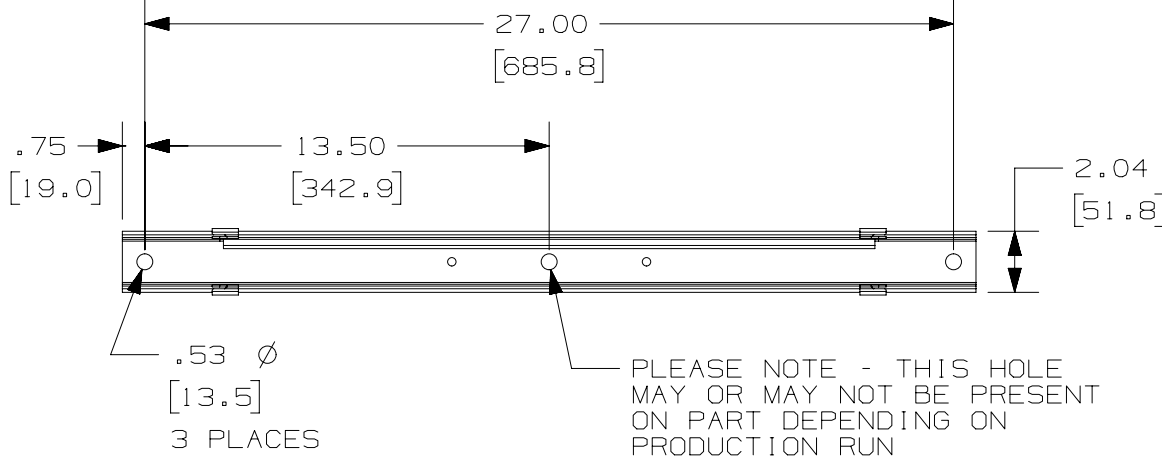
Tel: +86-755-8981 8866 Fax: +86-755-8427 6832

Email & Skype: info@chipsmall.com Web: www.chipsmall.com

Address: A1208, Overseas Decoration Building, #122 Zhenhua RD., Futian, Shenzhen, China



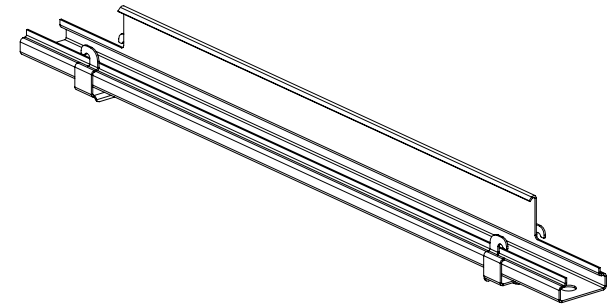
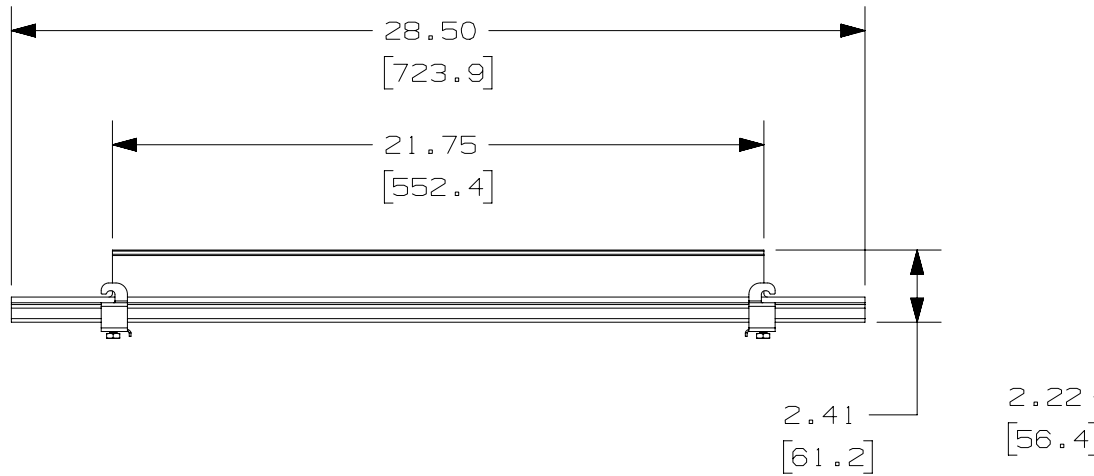
THIS COPY IS PROVIDED ON A RESTRICTED BASIS AND IS NOT TO BE USED IN ANY WAY DETRIMENTAL TO THE INTERESTS OF PANDUIT CORP.



PANDUIT PART NUMBER	WEIGHT
WGTBS24	2.68 LBS (1216 g)

NOTES:

- SEE CURRENT CATALOG FOR PART NUMBER DESIGNATION FOR TYPE AND COLOR.
- EACH PACKAGE CONSISTS OF:
 - (1) WYR-GRID TRAPEZE BRACKET
 - (2) WYR-GRID TRAPEZE BRACKET CLIPS
 - (2) 1/4-20 X 3/8 HEX HEAD CAP SCREWS
- WYR-GRID TRAPEZE BRACKETS SUPPORT WYR-GRID PATHWAY SUSPENDED FROM 1/2" (M12) THREADED RODS.
- DIMENSIONS IN PARENTHESES ARE METRIC



REV	DATE	BY	CHK	APR	DESCRIPTION	ECN
01A	3-10-15	PBS	DWR		ADDED CENTER MOUNTING HOLE AND NOTE	
R	06-18-13	SSP	DWW	RN	RELEASED TO PRODUCTION	12D345AC-DC

TITLE	
WYR-GRID TRAPEZE BRACKET 24" (WGTBS24) CUSTOMER DRAWING	
ITEM REVISION NAME	12D345AC/01
DATASET FILE NAME	12D345AC_DC/01A
UNLESS OTHERWISE SPECIFIED, DIMENSIONAL TOLERANCES ARE: IN (mm)	
.X ±	.XXX ±
.XX ± .05 [1.3]	ANGLES ±
THIRD ANGLE PROJECTION	
MATERIAL: STEEL	
DRAWING NUMBER: 12D345AC-DC	
DRAWN BY	DATE
SSP	06-18-13
CHK	SCALE
DWW	NONE
SHT 1 OF 1	
SIZE A	